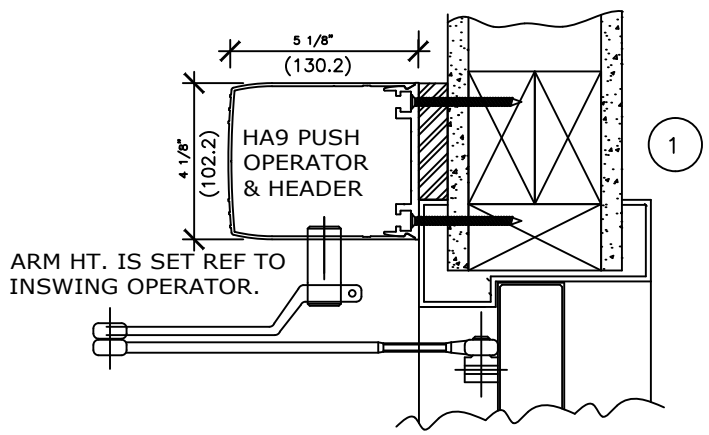


APPLICATION: LOW PROFILE, LOW ENERGY OPERATOR DUAL EGRESS RIGHT HAND

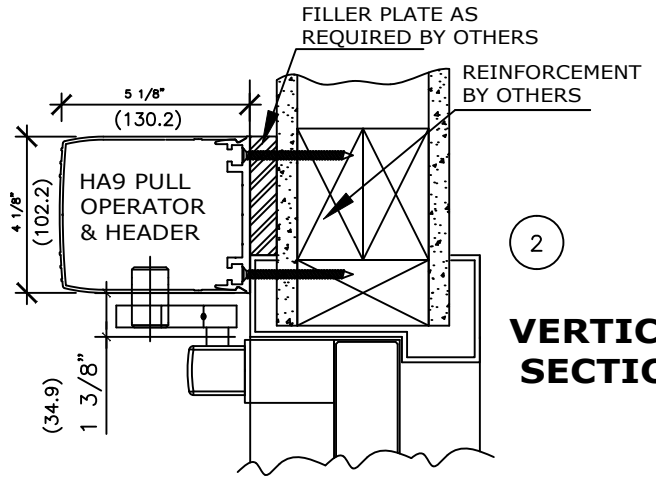
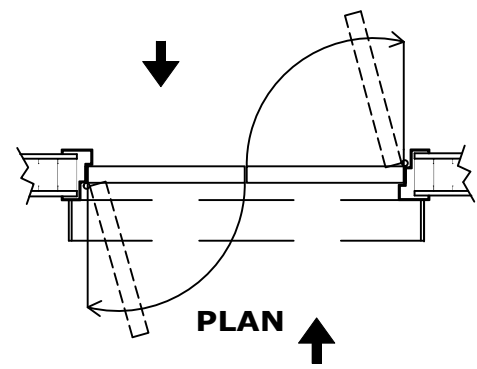
NOTE: DRAWING IS DIMENSIONED IN BOTH INCHES & METRIC (mm)
 AUTOMATIC SWING DOOR OPERATOR SHALL BE "HA9" CETL USA APPROVED, CONFORMING TO UL STD. 325 & ANSI-BHMA STD. A156.19 FIRE RATED TO UL STD. 10(B); UL STD. 10(C), CERTIFIED TO CAN. CSA STD. C22.2#247 AS MANUFACTURED BY ENTREMATIC GROUP AB. 32" (813) CLEAR OPENING REQUIRED TO MEET ADA REQUIREMENT.

STANDARD FINISH: ANODIZED, CLEAR; DARK BRONZE;
 SPECIAL FINISHES ARE AVAILABLE

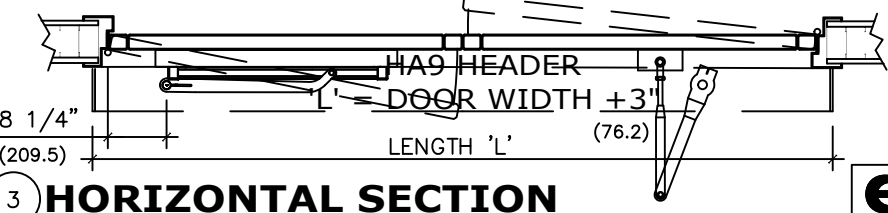
120V AC. 50/60HZ. 10A.
 BY ELEC. CONTRACTOR.



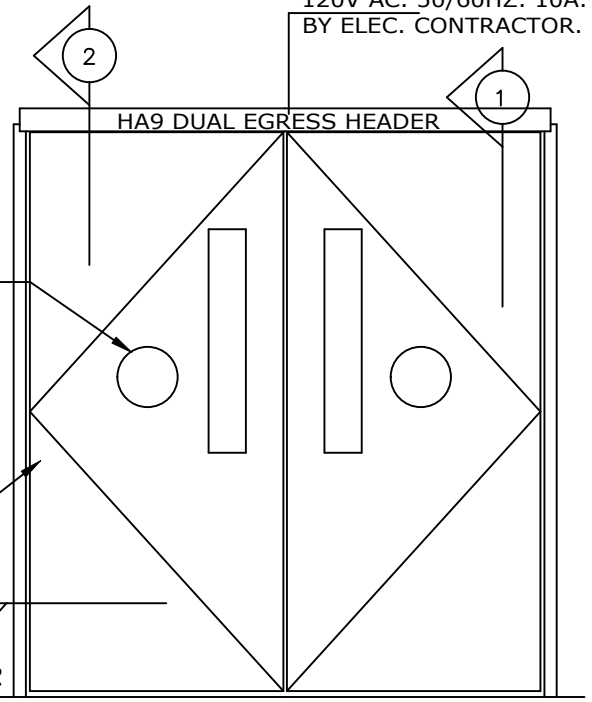
ARM HT. IS SET REF TO INSWING OPERATOR.



VERTICAL SECTION



HORIZONTAL SECTION



ELEVATION

NOTE:
 ENTREMATIC GROUP AB, RESERVES THE RIGHT TO CHANGE & IMPROVE ITS PRODUCTS & SPECIFICATIONS WITHOUT NOTICE.

ENTREMATIC

TEL. 877-348-6837 (CANADA)
www.ditecentrematic.ca
 TEL. 833-921-1337 (USA)
www.ditecentrematic.us

JOB NAME:	SHEET NO. 7
LOCATION:	SECTION HA9
DOOR NUMBER:	