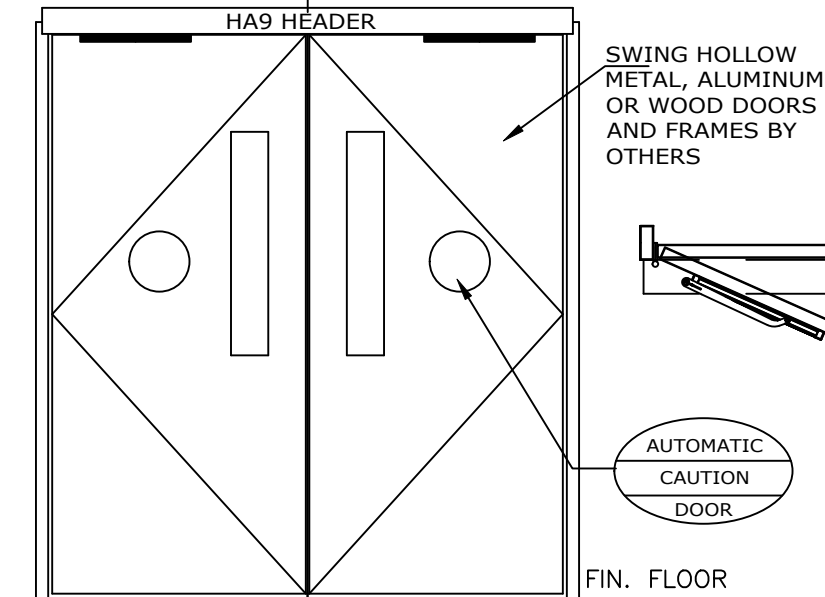


120V AC. 50/60HZ. 10A.
BY ELEC. CONTRACTOR.

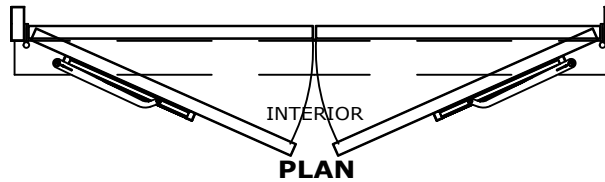
APPLICATION:
LOW PROFILE, LOW ENERGY
OPERATOR PAIR DOORS PULL

NOTE: DRAWING IS DIMENSIONED IN BOTH INCHES & METRIC (mm)
AUTOMATIC SWING DOOR OPERATOR SHALL BE "HA9" CETL USA
APPROVED, CONFORMING TO UL STD. 325 & ANSI-BHMA STD. A156.19
FIRE RATED TO UL STD. 10(B); UL STD. 10(C), CERTIFIED TO CAN.
CSA STD. C22.2#247 AS MANUFACTURED BY DITEC ENTREMATIC
(FORMERLY HUNTER AUTOMATICS).
32" (813) CLEAR OPENING REQUIRED TO MEET ADA REQUIREMENT.

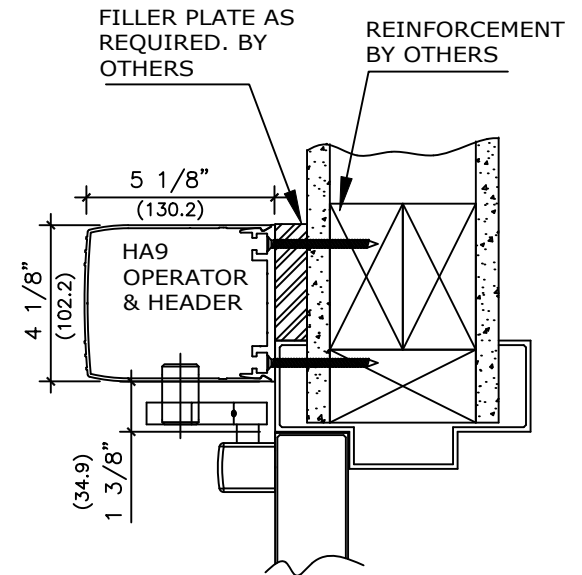
STANDARD FINISH: ANODIZED, CLEAR; DARK BRONZE;
SPECIAL FINISHES ARE AVAILABLE



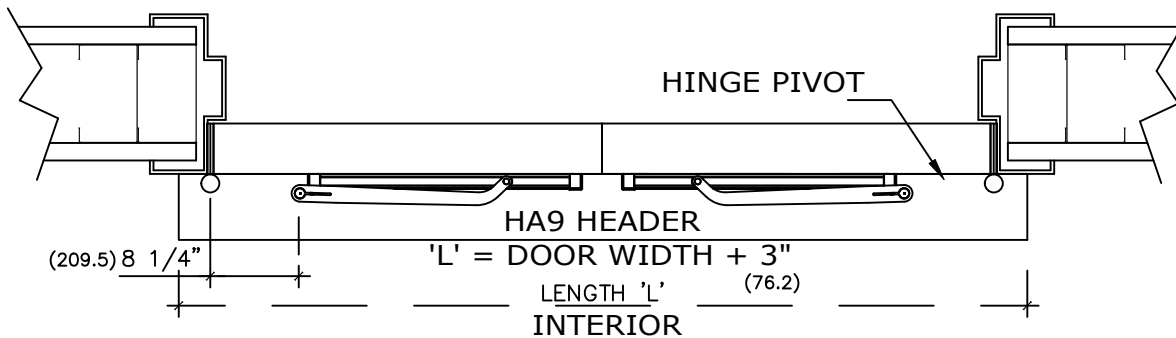
ELEVATION



PLAN



VERTICAL SECTION



HORIZONTAL SECTION

NOTE:
ENTREMATIC GROUP AB, RESERVES THE RIGHT TO
CHANGE & IMPROVE ITS PRODUCTS & SPECIFICATIONS
WITHOUT NOTICE.

ENTREMATIC

TEL. 877-348-6837 (CANADA)
www.ditecentrematic.ca
TEL. 833-921-1337 (USA)
www.ditecentrematic.us

JOB NAME:	SHEET NO. 6
LOCATION:	SECTION HA9
DOOR NUMBER:	