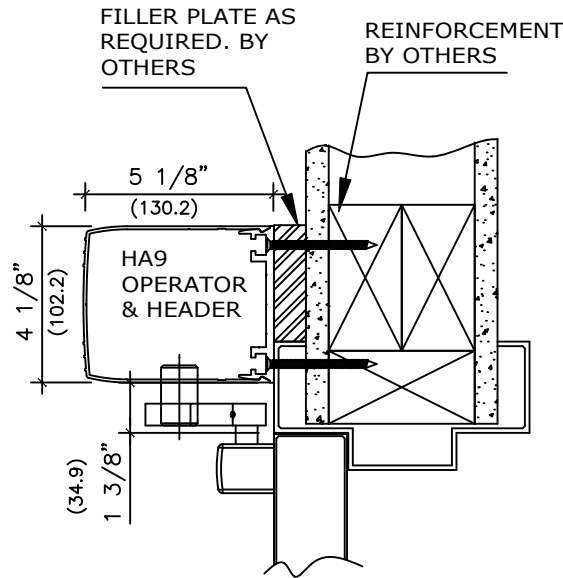
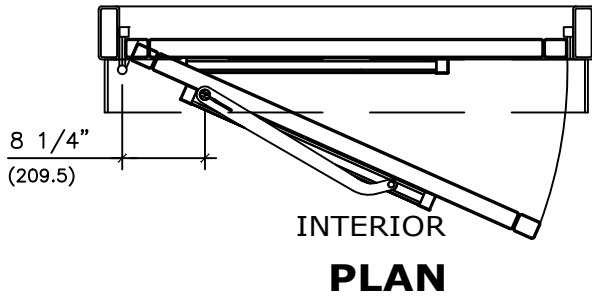


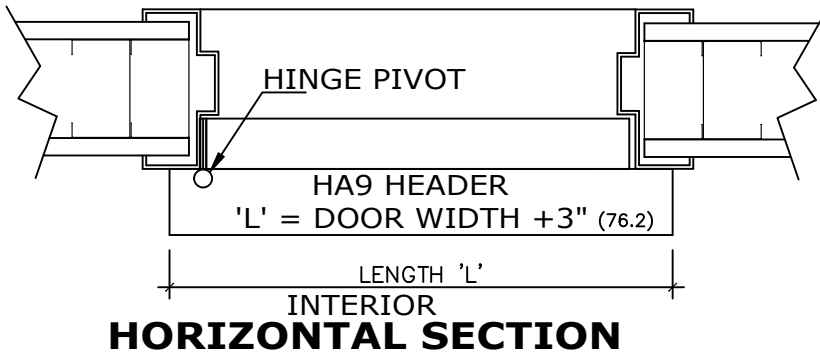
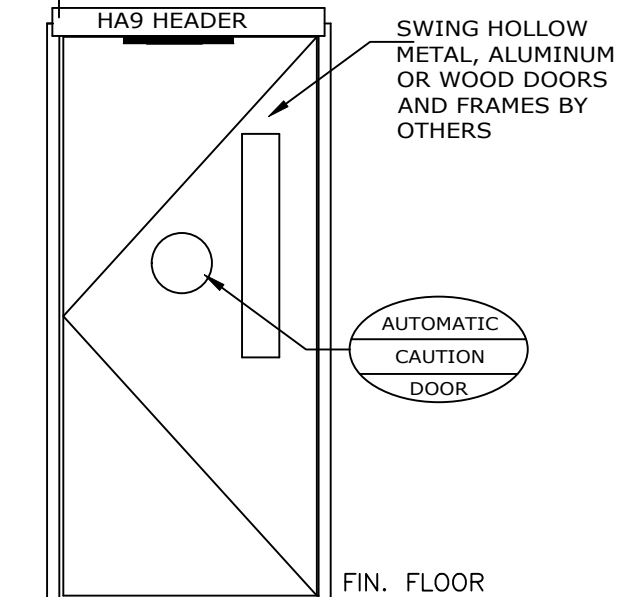
APPLICATION:
 LOW PROFILE, LOW ENERGY
 OPERATOR RIGHT HAND PULL

NOTE: DRAWING IS DIMENSIONED IN BOTH INCHES & METRIC (mm)
 AUTOMATIC SWING DOOR OPERATOR SHALL BE "HA9" CETL USA
 APPROVED, CONFORMING TO UL STD. 325 & ANSI-BHMA STD. A156.19
 FIRE RATED TO UL STD. 10(B); UL STD. 10(C), CERTIFIED TO CAN.
 CSA STD. C22.2#247 AS MANUFACTURED BY ENTREMATIC GROUP AB.
 32" (813) CLEAR OPENING REQUIRED TO MEET ADA REQUIREMENT.

STANDARD FINISH: ANODIZED, CLEAR; DARK BRONZE;
 SPECIAL FINISHES ARE AVAILABLE



120V AC. 50/60HZ.
 10A. BY ELEC.
 CONTRACTOR



NOTE:
 ENTREMATIC GROUP AB, RESERVES THE RIGHT TO
 CHANGE & IMPROVE ITS PRODUCTS & SPECIFICATIONS
 WITHOUT NOTICE.

ENTREMATIC

TEL. 877-348-6837 (CANADA)
 www.ditecentrematic.ca
 TEL. 833-921-1337 (USA)
 www.ditecentrematic.us

JOB NAME:	SHEET NO. 4
LOCATION:	SECTION HA9
DOOR NUMBER:	