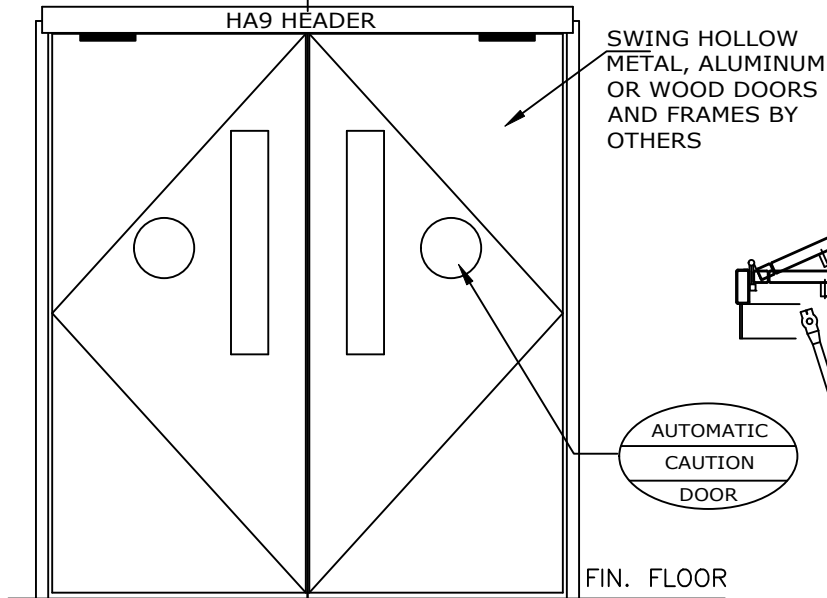


120V AC. 50/60HZ. 10A.  
BY ELEC. CONTRACTOR.

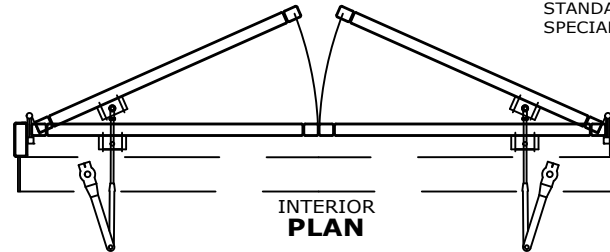
**APPLICATION:**  
LOW PROFILE, LOW ENERGY  
OPERATOR PAIR DOORS PUSH.

**NOTE:** DRAWING IS DIMENSIONED IN BOTH INCHES & METRIC (mm)  
AUTOMATIC SWING DOOR OPERATOR SHALL BE "HA9" CETL USA  
APPROVED, CONFORMING TO UL STD. 325 & ANSI-BHMA STD. A156.19  
FIRE RATED TO UL STD. 10(B); UL STD. 10(C), CERTIFIED TO CAN.  
CSA STD. C22.2#247 AS MANUFACTURED BY ENTREMATIAC GROUP AB.  
32" (813) CLEAR OPENING REQUIRED TO MEET ADA REQUIREMENT.

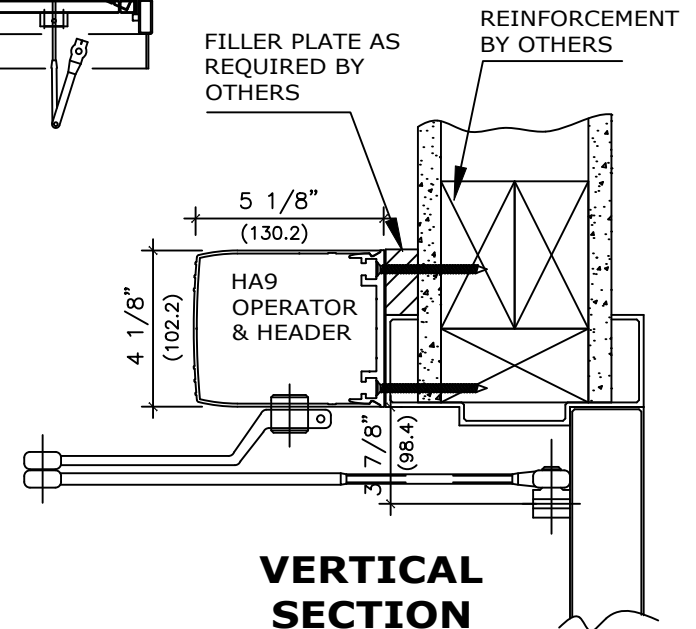
**STANDARD FINISH:** ANODIZED, CLEAR; DARK BRONZE;  
SPECIAL FINISHES ARE AVAILABLE



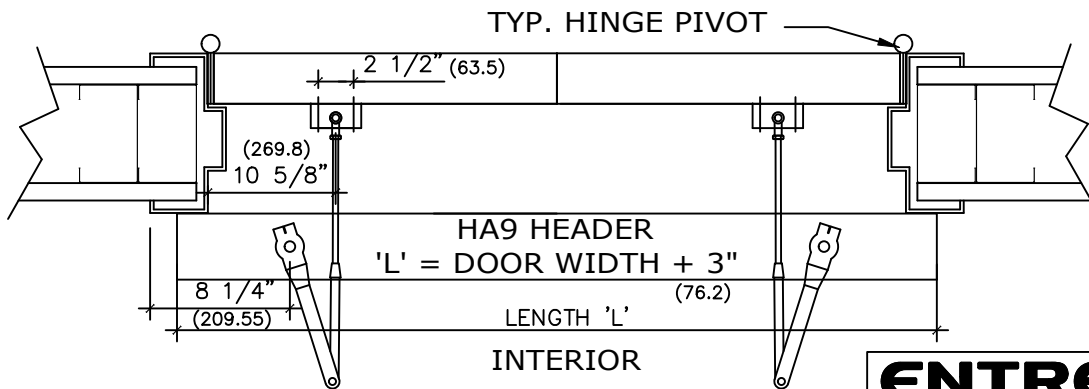
**ELEVATION**



**INTERIOR PLAN**



**VERTICAL SECTION**



**HORIZONTAL SECTION**

**NOTE:**  
ENTREMATIAC GROUP AB, RESERVES THE RIGHT TO  
CHANGE & IMPROVE ITS PRODUCTS & SPECIFICATIONS  
WITHOUT NOTICE.

**ENTREMATIAC**

TEL. 877-348-6837 (CANADA)  
www.ditecentrematic.ca  
TEL. 833-921-1337 (USA)  
www.ditecentrematic.us

JOB NAME:	SHEET NO. <b>3</b>
LOCATION:	
DOOR NUMBER:	SECTION <b>HA9</b>