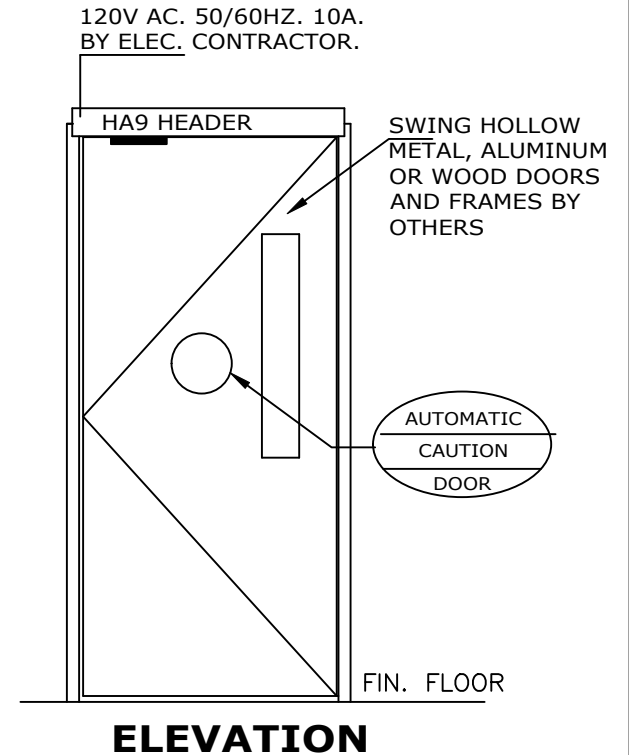
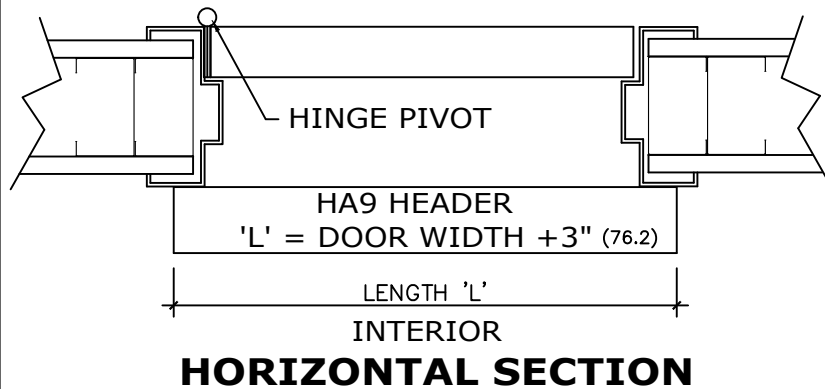
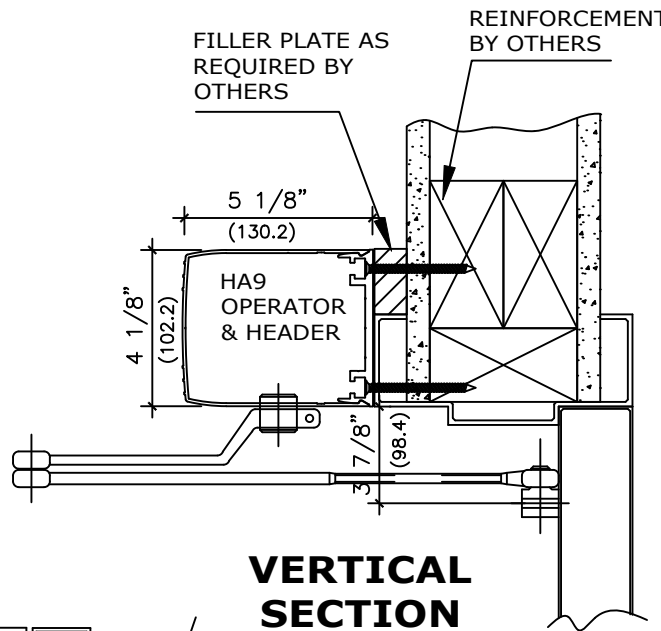
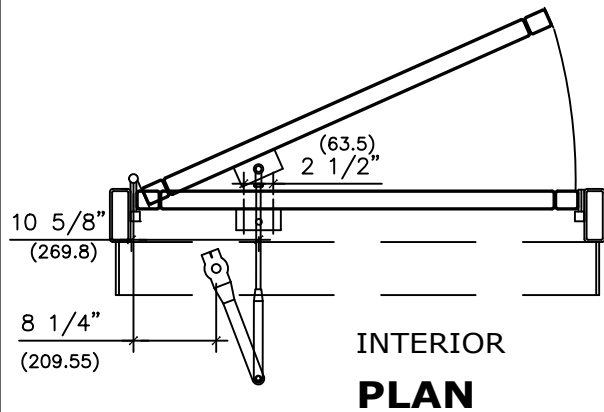


APPLICATION:
LOW PROFILE, LOW ENERGY
OPERATOR LEFT HAND PUSH

NOTE: DRAWING IS DIMENSIONED IN BOTH INCHES & METRIC (mm)
 AUTOMATIC SWING DOOR OPERATOR SHALL BE "HA9" CETL USA
 APPROVED, CONFORMING TO UL STD. 325 & ANSI-BHMA STD. A156.19
 FIRE RATED TO UL STD. 10(B); UL STD. 10(C), CERTIFIED TO CAN.
 CSA STD. C22.2#247 AS MANUFACTURED BY ENTREMATIC GROUP AB.
 32" (813) CLEAR OPENING REQUIRED TO MEET ADA REQUIREMENT.

STANDARD FINISH: ANODIZED, CLEAR; DARK BRONZE;
 SPECIAL FINISHES ARE AVAILABLE



120V AC. 50/60HZ. 10A.
 BY ELEC. CONTRACTOR.

NOTE:
 ENTREMATIC GROUP AB, RESERVES THE RIGHT TO
 CHANGE & IMPROVE ITS PRODUCTS & SPECIFICATIONS
 WITHOUT NOTICE.

ENTREMATIC

TEL. 877-348-6837 (CANADA)
www.ditecentrematic.ca
 TEL. 833-921-1337 (USA)
www.ditecentrematic.us

| | |
|--------------|----------------|
| JOB NAME: | SHEET NO. 2 |
| LOCATION: | SECTION HA9 |
| DOOR NUMBER: | |