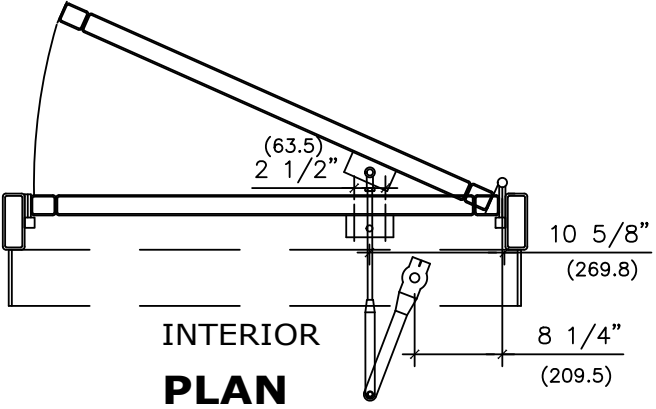


APPLICATION:
 LOW PROFILE, LOW ENERGY
 OPERATOR RIGHT HAND PUSH.

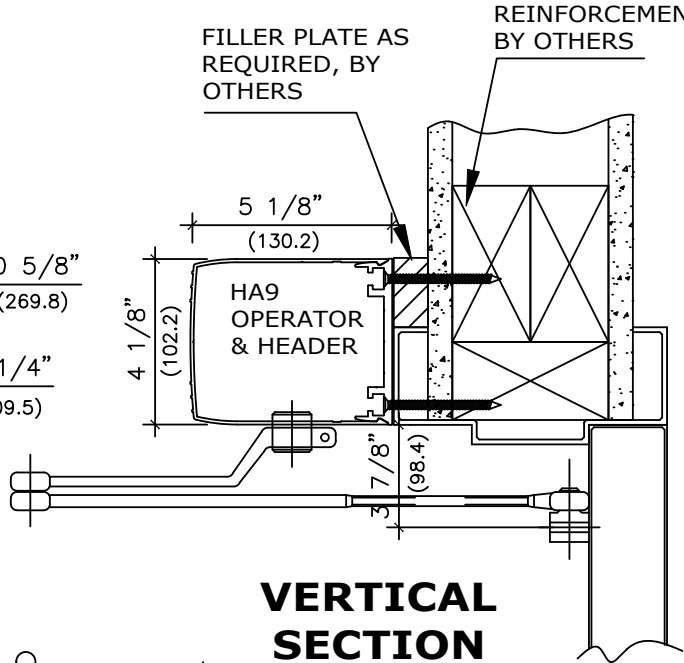
NOTE: DRAWING IS DIMENSIONED IN BOTH INCHES & METRIC (mm)
 AUTOMATIC SWING DOOR OPERATOR SHALL BE "HA9" CETL USA
 APPROVED, CONFORMING TO UL STD. 325 & ANSI-BHMA STD. A156.19
 FIRE RATED TO UL STD. 10(B); UL STD. 10(C), CERTIFIED TO CAN.
 CSA STD. C22.2#247 AS MANUFACTURED BY ENTREMATIC GROUP AB .
 32" (813) CLEAR OPENING REQUIRED TO MEET ADA REQUIREMENT.

STANDARD FINISH: ANODIZED, CLEAR; DARK BRONZE;
 SPECIAL FINISHES ARE AVAILABLE

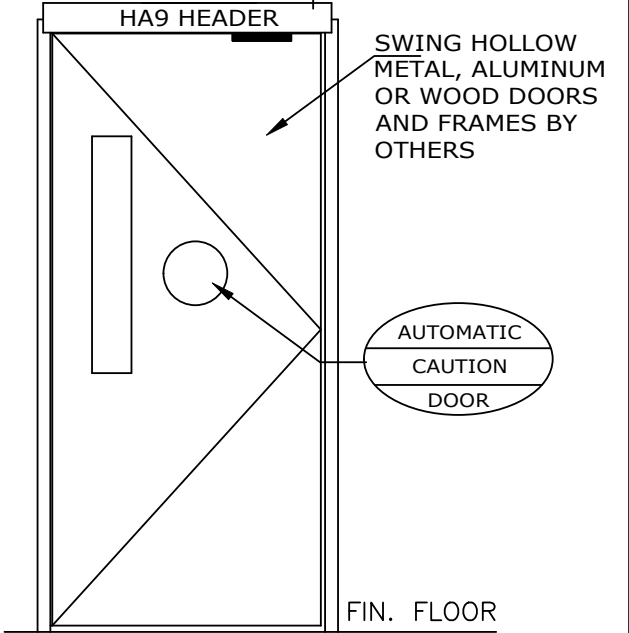
120V AC. 50/60HZ. 10A.
 BY ELEC. CONTRACTOR.



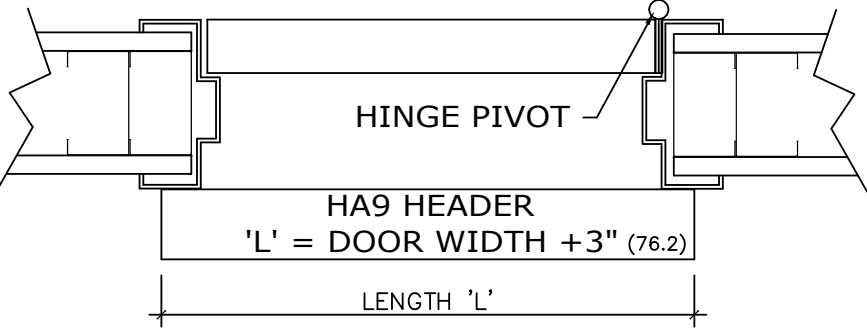
**INTERIOR
 PLAN**



**VERTICAL
 SECTION**



ELEVATION



**INTERIOR
 HORIZONTAL SECTION**

NOTE:
 ENTREMATIC GROUP AB, RESERVES THE RIGHT TO
 CHANGE & IMPROVE ITS PRODUCTS & SPECIFICATIONS
 WITHOUT NOTICE.

ENTREMATIC
 TEL. 877-348-6837 (CANADA)
 www.ditecentrematic.ca
 TEL. 833-921-1337 (USA)
 www.ditecentrematic.us

JOB NAME:	SHEET NO. 1
LOCATION:	SECTION HA9
DOOR NUMBER:	