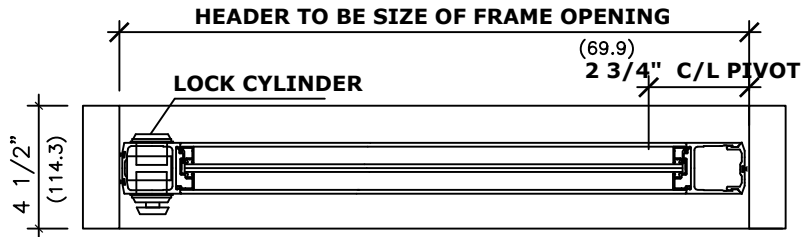
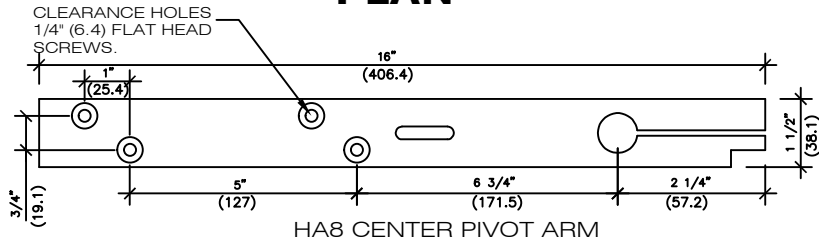


**INTERIOR PLAN**

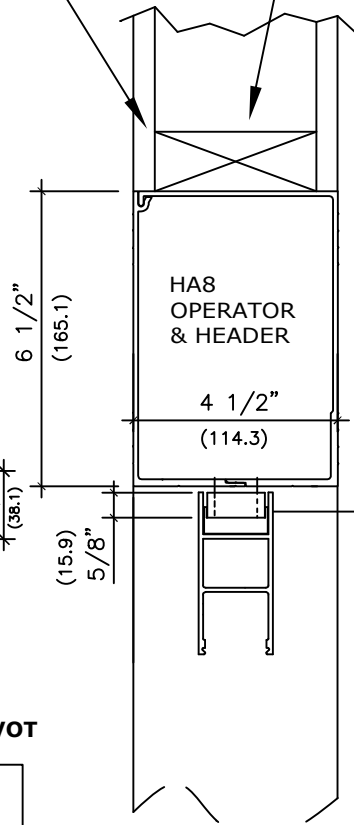


**INTERIOR HORIZONTAL SECTION**

NOTE:  
ENTREMATIC GROUP AB, RESERVES THE RIGHT TO  
CHANGE & IMPROVE IT'S PRODUCTS & SPECIFICATIONS  
WITHOUT NOTICE.

DRYWALL BY  
OTHERS

REINFORCEMENT  
BY OTHERS



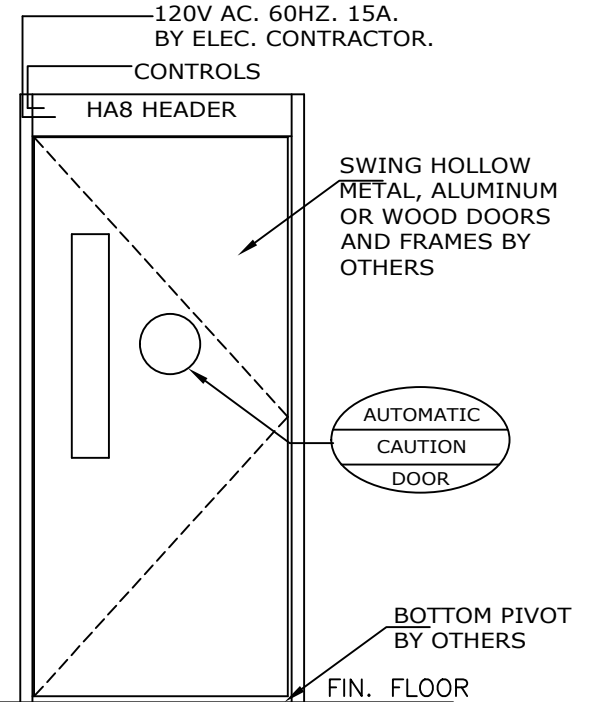
**VERTICAL SECTION**

NOTE:  
HINGE SIDE  
TOP RAIL  
NEEDS CUT  
OUT ON BACK  
OF DOOR FOR  
OPERATOR ARM  
(MIN 1 5/8" x  
DEPTH OF WEB)  
(41.3)

**APPLICATION:**  
LOW ENERGY OPERATOR  
RIGHT HAND CENTER PIVOT

NOTE: DRAWING IS DIMENSIONED IN BOTH INCHES & METRIC (mm)  
AUTOMATIC SWING DOOR OPERATOR SHALL BE "HA8" CETL USA  
APPROVED, CONFORMING TO UL STD. 325 & ANSI-BHMA STD. A156.19  
FIRE RATED TO UL STD. 10(B); UL STD. 10(C), CERTIFIED TO CAN.  
CSA STD. C22.2#247 AS MANUFACTURED BY ENTREMATIC GROUP AB.  
32" (813) CLEAR OPENING REQUIRED TO MEET ADA REQUIREMENT.

STANDARD FINISH: ANODIZED, CLEAR; DARK BRONZE;  
SPECIAL FINISHES ARE AVAILABLE



**ELEVATION**

**ENTREMATIC**

TEL. 877-348-6837 (CANADA)  
www.ditecentrematic.ca  
TEL. 866-901-4284 (USA)  
www.ditecentrematic.us

JOB NAME:	SHEET NO. <b>7</b>
LOCATION:	
DOOR NUMBER:	SECTION <b>HA</b>