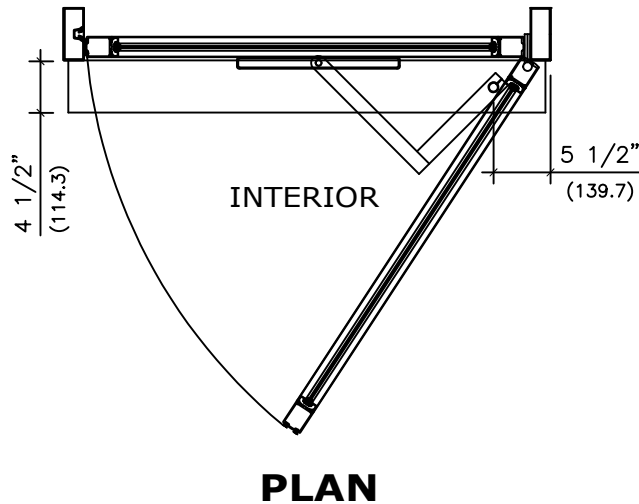


**APPLICATION:**  
**LOW ENERGY OPERATOR**  
**LEFT HAND PULL**

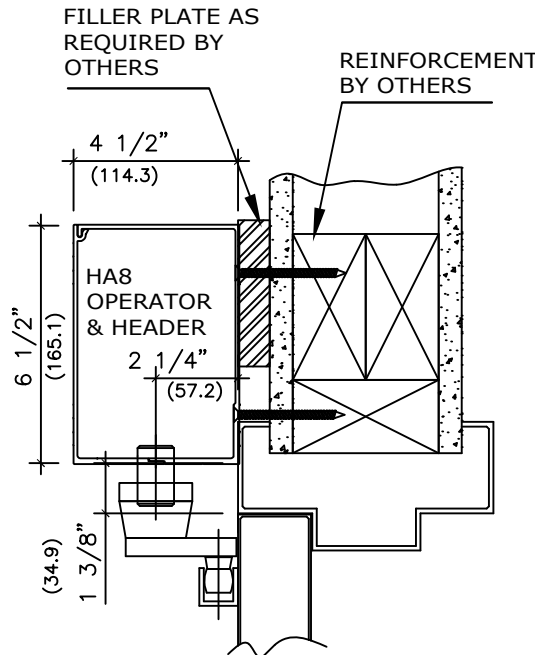
**NOTE:** DRAWING IS DIMENSIONED IN BOTH INCHES & METRIC (mm)  
 AUTOMATIC SWING DOOR OPERATOR SHALL BE "HA8" CETL USA APPROVED, CONFORMING TO UL STD. 325 & ANSI-BHMA STD. A156.19 FIRE RATED TO UL STD. 10(B); UL STD. 10(C), CERTIFIED TO CAN. CSA STD. C22.2#247 AS MANUFACTURED BY ENTREMATIC GROUP AB. 32" (813) CLEAR OPENING REQUIRED TO MEET ADA REQUIREMENT.

STANDARD FINISH: ANODIZED, CLEAR; DARK BRONZE;  
 SPECIAL FINISHES ARE AVAILABLE

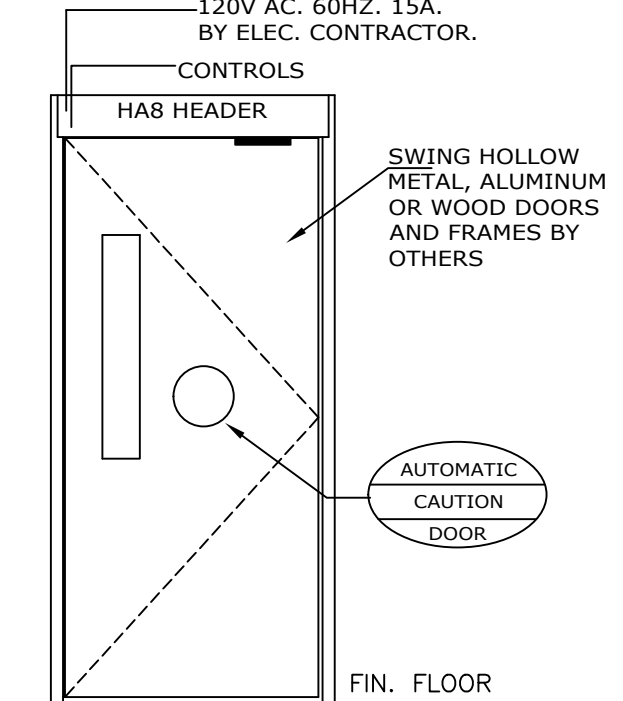
120V AC. 60HZ. 15A.  
 BY ELEC. CONTRACTOR.



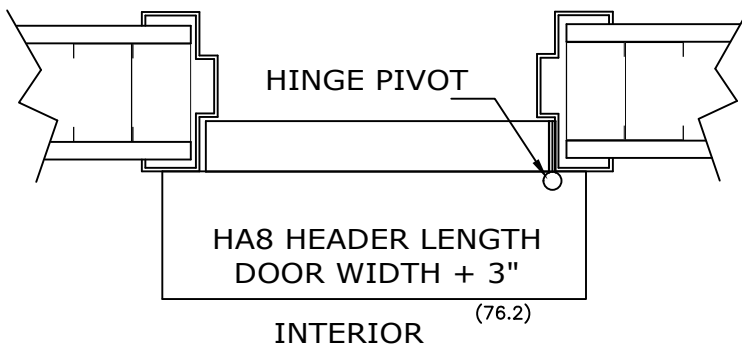
**PLAN**



**VERTICAL SECTION**



**ELEVATION**



**HORIZONTAL SECTION**

**NOTE:**  
 ENTREMATIC GROUP AB, RESERVES THE RIGHT TO CHANGE & IMPROVE IT'S PRODUCTS & SPECIFICATIONS WITHOUT NOTICE.

**ENTREMATIC**

TEL. 877-348-6837 (CANADA)  
 www.ditecentrematic.ca  
 TEL. 866-901-4284 (USA)  
 www.ditecentrematic.us

JOB NAME:	SHEET NO. <b>5</b>
LOCATION:	
DOOR NUMBER:	SECTION <b>HA</b>