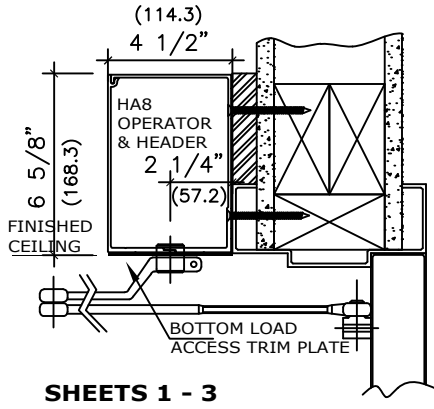


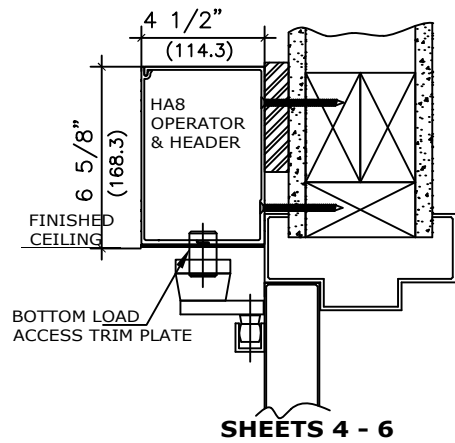
**APPLICATION:
LOW ENERGY OPERATOR
BOTTOM LOAD UNITS**

NOTE: DRAWING IS DIMENSIONED IN BOTH INCHES & METRIC (mm)
AUTOMATIC SWING DOOR OPERATOR SHALL BE "HA8" CETL USA
APPROVED, CONFORMING TO UL STD. 325 & ANSI-BHMA STD. A156.19
FIRE RATED TO UL STD. 10(B); UL STD. 10(C), CERTIFIED TO CAN.
CSA STD. C22.2#247 AS MANUFACTURED BY ENTREMATIC GROUP AB.
32" (813) CLEAR OPENING REQUIRED TO MEET ADA REQUIREMENT.

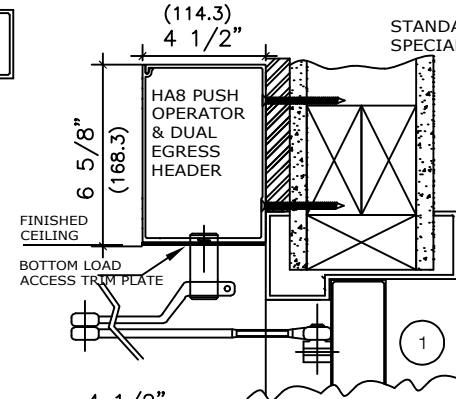
STANDARD FINISH: ANODIZED, CLEAR; DARK BRONZE;
SPECIAL FINISHES ARE AVAILABLE



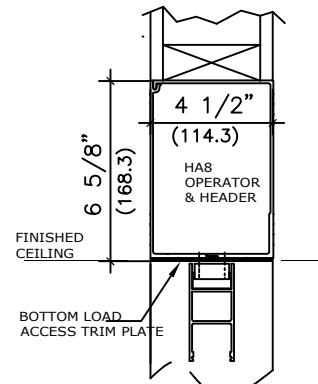
SHEETS 1 - 3



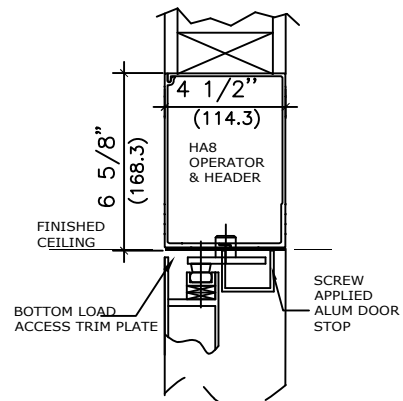
SHEETS 4 - 6



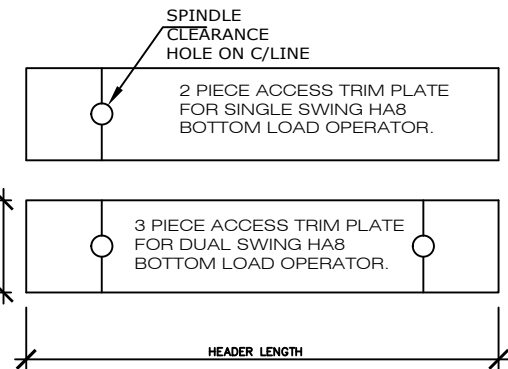
SHEETS 13 - 14



SHEETS 7 - 9



SHEETS 10 - 12



NOTE:
REFER TO RELATIVE SHEETS
(1-14) FOR SPECIFIC HAS
APPLICATION GUIDELINES.

NOTE:
ENTREMATIC GROUP AB, RESERVES THE RIGHT TO
CHANGE & IMPROVE IT'S PRODUCTS & SPECIFICATIONS
WITHOUT NOTICE.

ENTREMATIC

TEL. 877-348-6837 (CANADA)
www.ditecentrematic.ca
TEL. 866-901-4284 (USA)
www.ditecentrematic.us

JOB NAME:	SHEET NO. 15
LOCATION:	
DOOR NUMBER:	
SECTION HA	