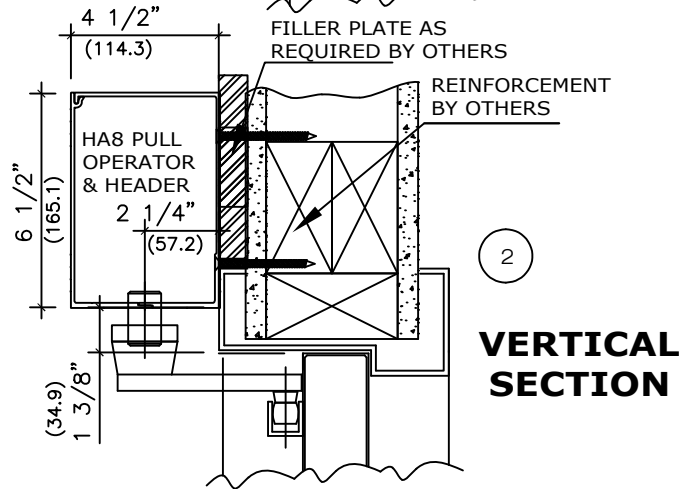
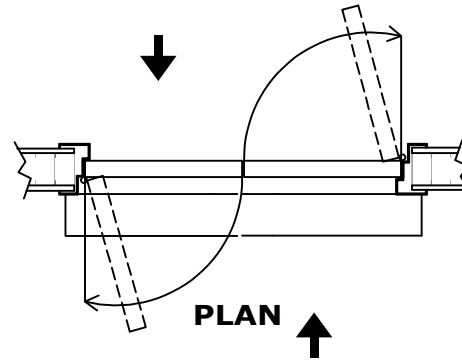
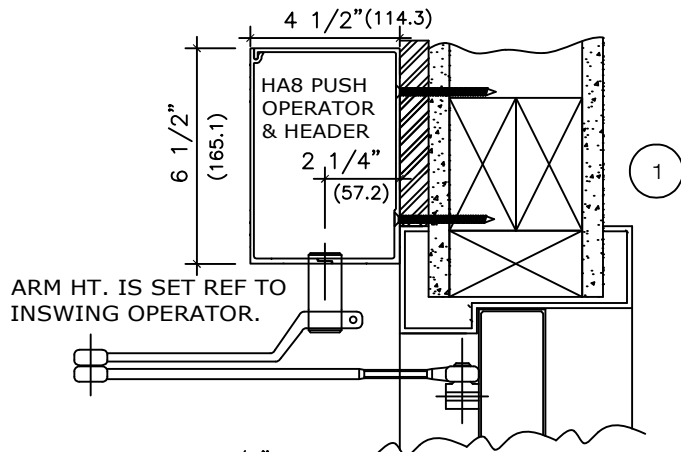


APPLICATION:
LOW ENERGY OPERATOR
DUAL EGRESS RIGHT HAND

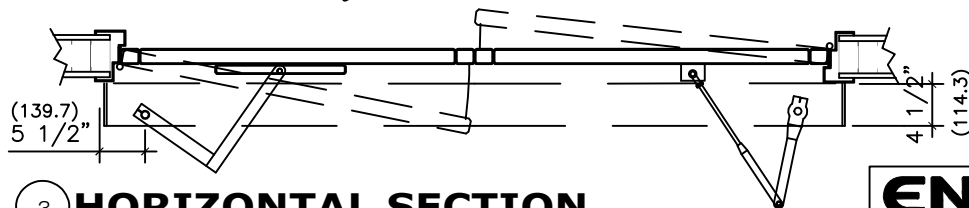
NOTE: DRAWING IS DIMENSIONED IN BOTH INCHES & METRIC (mm)
 AUTOMATIC SWING DOOR OPERATOR SHALL BE "HA8" CETL USA APPROVED, CONFORMING TO UL STD. 325 & ANSI-BHMA STD. A156.19 FIRE RATED TO UL STD. 10(B); UL STD. 10(C), CERTIFIED TO CAN. CSA STD. C22.2#247 AS MANUFACTURED BY ENTREMATIAC GROUP AB. 32" (813) CLEAR OPENING REQUIRED TO MEET ADA REQUIREMENT.

STANDARD FINISH: ANODIZED, CLEAR; DARK BRONZE;
 SPECIAL FINISHES ARE AVAILABLE

120V AC. 60HZ. 15A.
 BY ELEC. CONTRACTOR.

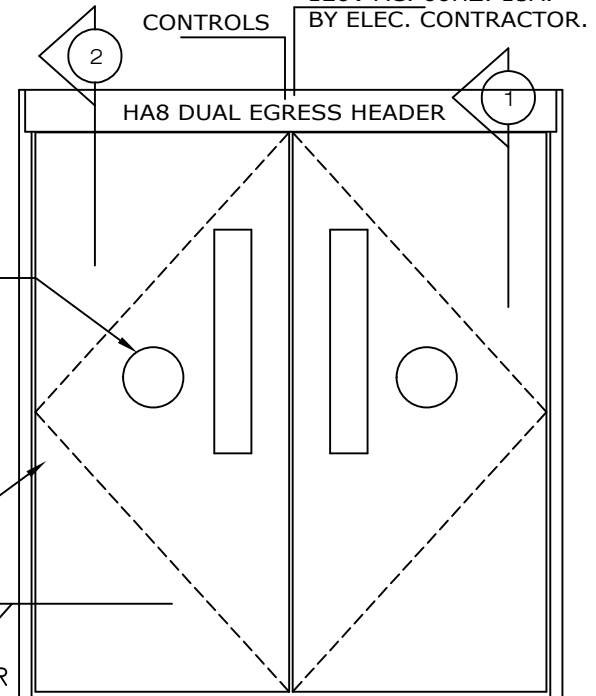


VERTICAL SECTION



HORIZONTAL SECTION

NOTE:
 ENTREMATIAC GROUP AB, RESERVES THE RIGHT TO CHANGE & IMPROVE IT'S PRODUCTS & SPECIFICATIONS WITHOUT NOTICE.



ELEVATION

SWING HOLLOW METAL, ALUMINUM OR WOOD DOORS AND FRAMES BY OTHERS

ENTREMATIAC

TEL. 877-348-6837 (CANADA)
 www.ditecentrematic.ca
 TEL. 866-901-4284 (USA)
 www.ditecentrematic.us

| | |
|--------------|-----------|
| JOB NAME: | SHEET NO. |
| LOCATION: | 13 |
| DOOR NUMBER: | SECTION |
| | HA |