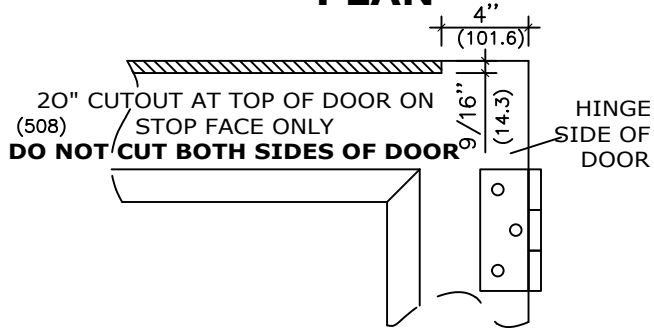
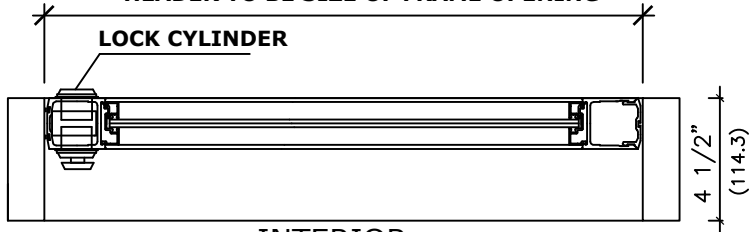


INTERIOR PLAN

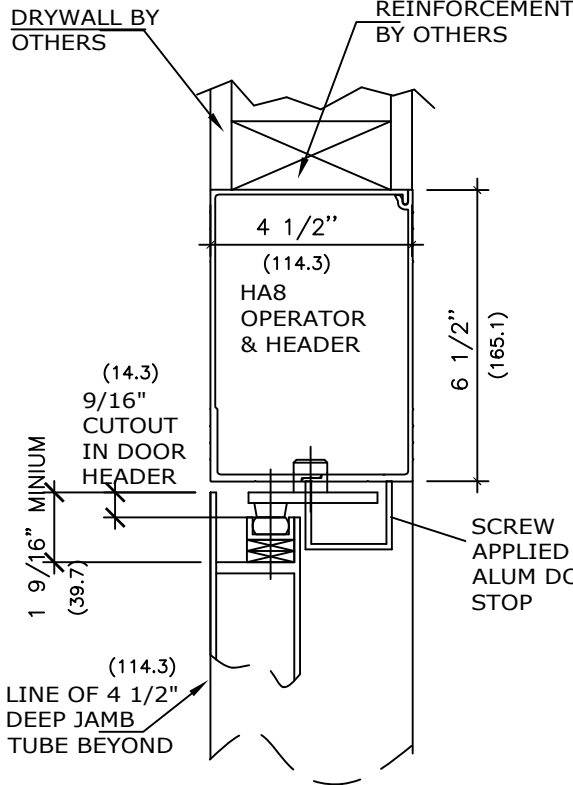


**ELEVATION OF DOOR
HEADER TO BE SIZE OF FRAME OPENING**



INTERIOR HORIZONTAL SECTION

NOTE:
ENTREMATIC GROUP AB, RESERVES THE RIGHT TO CHANGE & IMPROVE IT'S PRODUCTS & SPECIFICATIONS WITHOUT NOTICE.

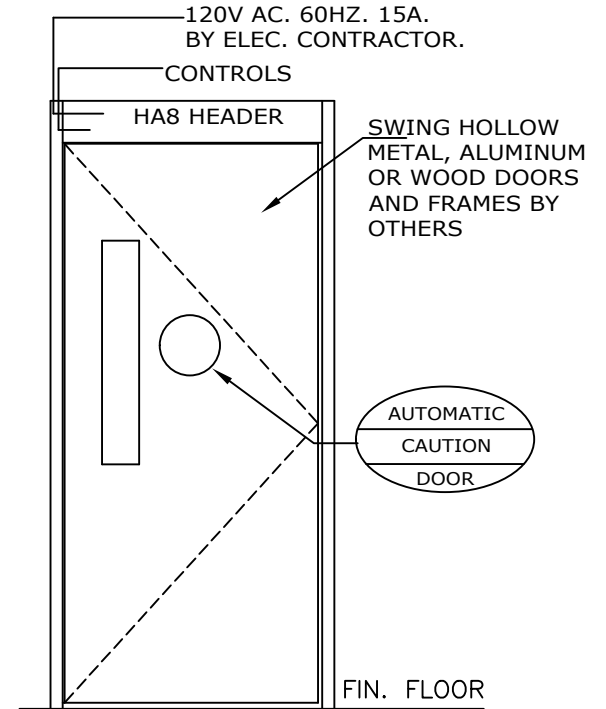


VERTICAL SECTION

**APPLICATION:
LOW ENERGY OPERATOR
RIGHT HAND BUTT HUNG/OFFSET PIVOT**

NOTE: DRAWING IS DIMENSIONED IN BOTH INCHES & METRIC (mm)
AUTOMATIC SWING DOOR OPERATOR SHALL BE "H88" CETL USA APPROVED, CONFORMING TO UL STD. 325 & ANSI-BHMA STD. A156.19 FIRE RATED TO UL STD. 10(B); UL STD. 10(C), CERTIFIED TO CAN. CSA STD. C22.2#247 AS MANUFACTURED BY ENTREMATIC GROUP AB. 32" (813) CLEAR OPENING REQUIRED TO MEET ADA REQUIREMENT.

STANDARD FINISH: ANODIZED, CLEAR; DARK BRONZE;
SPECIAL FINISHES ARE AVAILABLE



ELEVATION

ENTREMATIC

TEL. 877-348-6837 (CANADA)
www.ditecentrematic.ca
TEL. 866-901-4284 (USA)
www.ditecentrematic.us

| | |
|--------------|------------------------|
| JOB NAME: | SHEET NO. 10 |
| LOCATION: | SECTION HA |
| DOOR NUMBER: | |