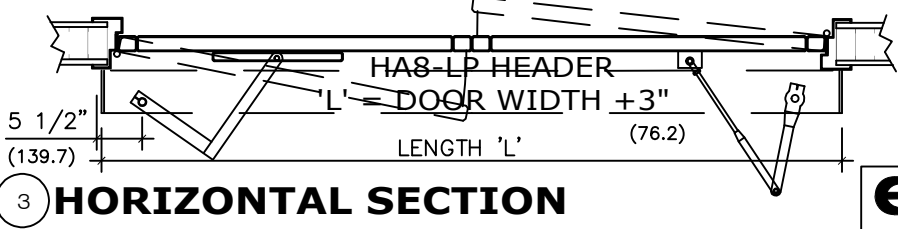
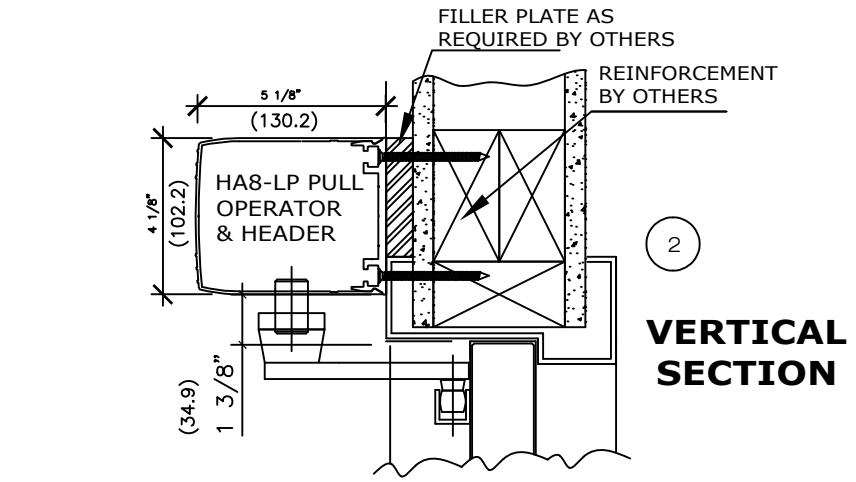
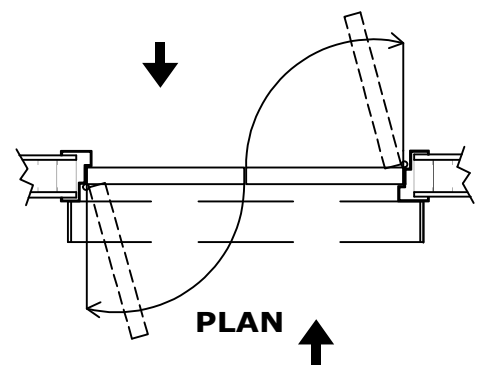
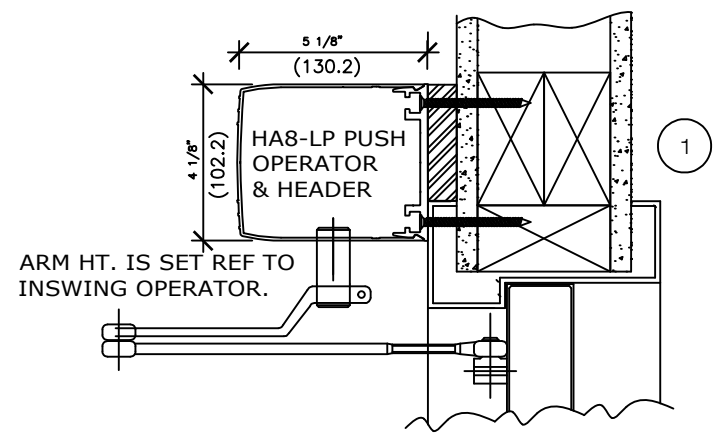


APPLICATION: LOW PROFILE, LOW ENERGY OPERATOR DUAL EGRESS RIGHT HAND

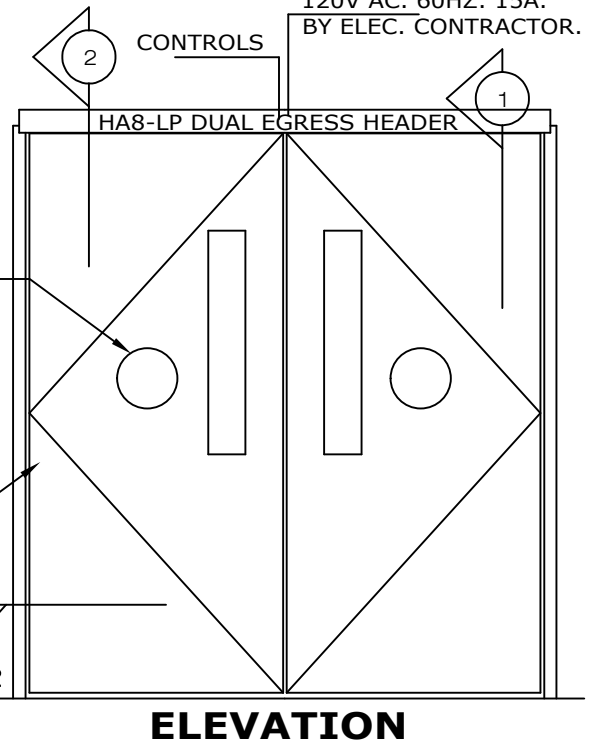
NOTE: DRAWING IS DIMENSIONED IN BOTH INCHES & METRIC (mm)
 AUTOMATIC SWING DOOR OPERATOR SHALL BE "HA8-LP" CETL USA APPROVED, CONFORMING TO UL STD. 325 & ANSI-BHMA STD. A156.19 FIRE RATED TO UL STD. 10(B); UL STD. 10(C), CERTIFIED TO CAN. CSA STD. C22.2#247 AS MANUFACTURED BY ENTREMATIC GROUP AB. 32" (813) CLEAR OPENING REQUIRED TO MEET ADA REQUIREMENT.

STANDARD FINISH: ANODIZED, CLEAR; DARK BRONZE;
 SPECIAL FINISHES ARE AVAILABLE

120V AC. 60HZ. 15A.
 BY ELEC. CONTRACTOR.



3 HORIZONTAL SECTION



ELEVATION

NOTE:
 ENTREMATIC GROUP AB, RESERVES THE RIGHT TO CHANGE & IMPROVE IT'S PRODUCTS & SPECIFICATIONS WITHOUT NOTICE.

ENTREMATIC

TEL. 877-348-6837 (CANADA)
 www.ditecentrematic.ca
 TEL. 866-901-4284 (USA)
 www.ditecentrematic.us

JOB NAME:	SHEET NO. 7
LOCATION:	
DOOR NUMBER:	SECTION LP