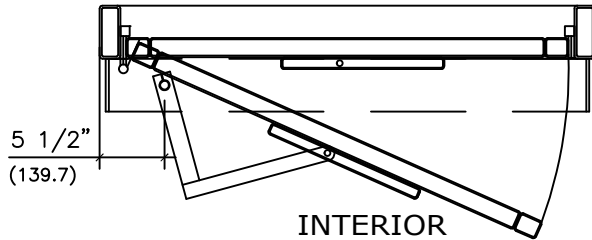


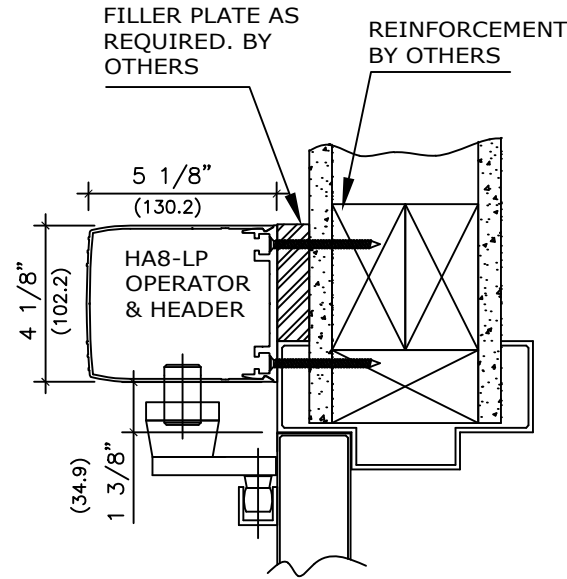
**APPLICATION:**  
 LOW PROFILE, LOW ENERGY  
 OPERATOR RIGHT HAND PULL

**NOTE:** DRAWING IS DIMENSIONED IN BOTH INCHES & METRIC (mm)  
 AUTOMATIC SWING DOOR OPERATOR SHALL BE "HA8-LP" CETL USA  
 APPROVED, CONFORMING TO UL STD. 325 & ANSI-BHMA STD. A156.19  
 FIRE RATED TO UL STD. 10(B); UL STD. 10(C), CERTIFIED TO CAN.  
 CSA STD. C22.2#247 AS MANUFACTURED BY ENTREMATIC GROUP AB.  
 32" (813) CLEAR OPENING REQUIRED TO MEET ADA REQUIREMENT.

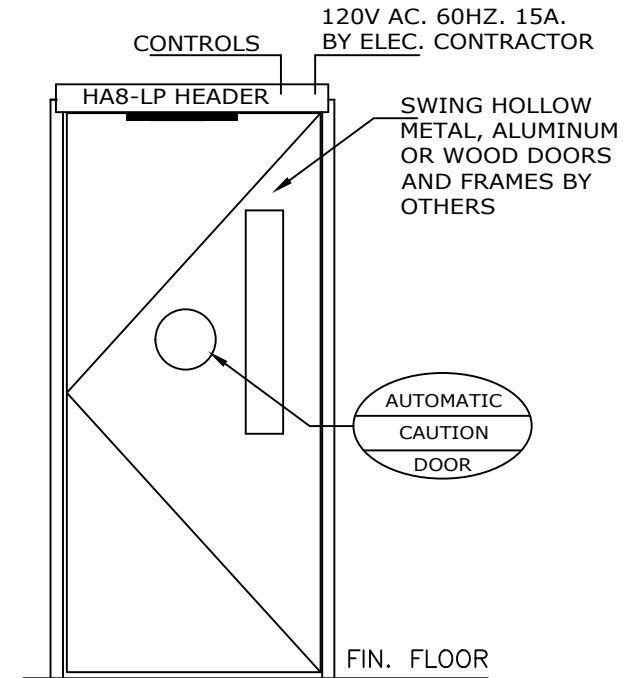
STANDARD FINISH: ANODIZED, CLEAR; DARK BRONZE;  
 SPECIAL FINISHES ARE AVAILABLE



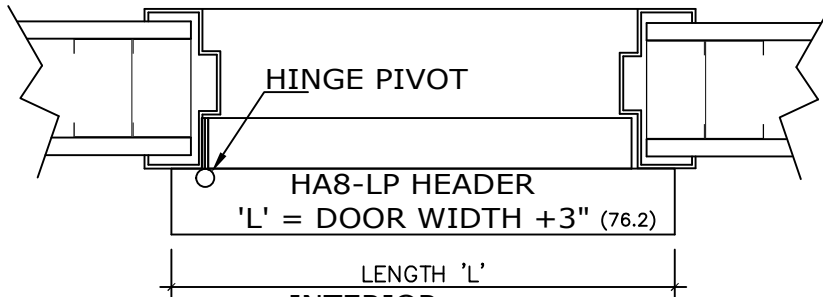
**INTERIOR  
 PLAN**



**VERTICAL  
 SECTION**



**ELEVATION**



**INTERIOR  
 HORIZONTAL SECTION**

**NOTE:**  
 ENTREMATIC GROUP AB, RESERVES THE RIGHT TO  
 CHANGE & IMPROVE IT'S PRODUCTS & SPECIFICATIONS  
 WITHOUT NOTICE.

**ENTREMATIC**

TEL. 877-348-6837 (CANADA)  
[www.ditecentrematic.ca](http://www.ditecentrematic.ca)  
 TEL. 866-901-4284 (USA)  
[www.ditecentrematic.us](http://www.ditecentrematic.us)

JOB NAME:	SHEET NO. <b>4</b>
LOCATION:	
DOOR NUMBER:	SECTION <b>LP</b>