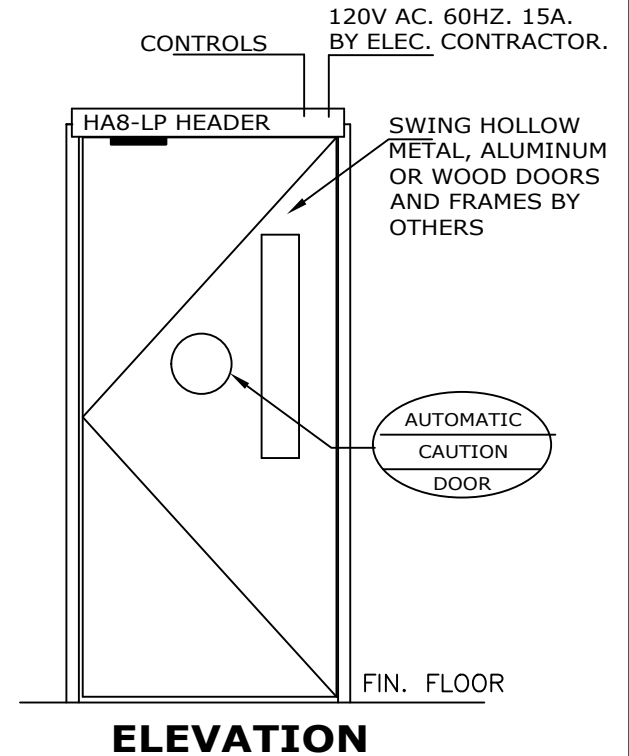
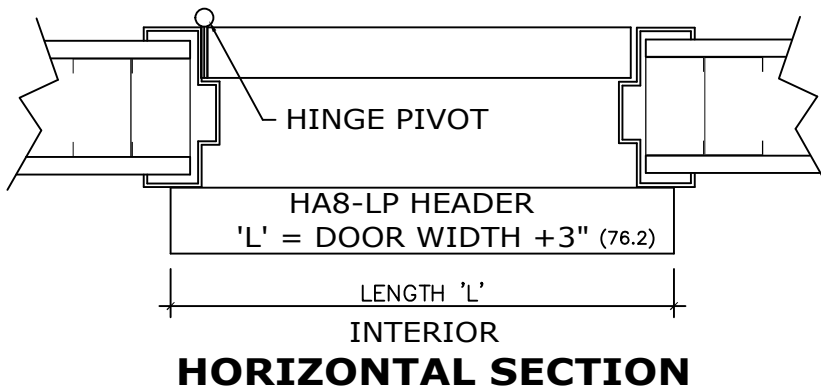
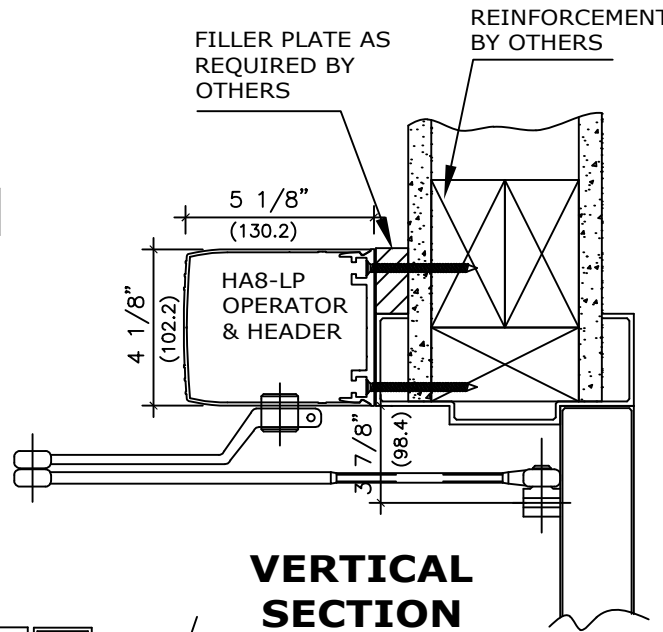
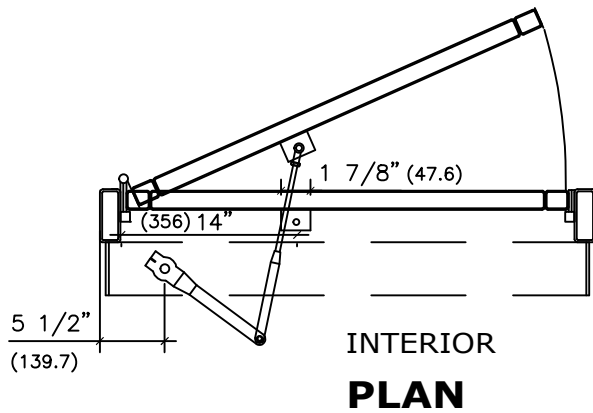


**APPLICATION:**  
**LOW PROFILE, LOW ENERGY**  
**OPERATOR LEFT HAND PUSH**

**NOTE:** DRAWING IS DIMENSIONED IN BOTH INCHES & METRIC (mm)  
 AUTOMATIC SWING DOOR OPERATOR SHALL BE "HA8-LP" CETL USA  
 APPROVED, CONFORMING TO UL STD. 325 & ANSI-BHMA STD. A156.19  
 FIRE RATED TO UL STD. 10(B); UL STD. 10(C), CERTIFIED TO CAN.  
 CSA STD. C22.2#247 AS MANUFACTURED BY ENTREMATIC GROUP AB.  
 32" (813) CLEAR OPENING REQUIRED TO MEET ADA REQUIREMENT.

**STANDARD FINISH:** ANODIZED, CLEAR; DARK BRONZE;  
 SPECIAL FINISHES ARE AVAILABLE



**NOTE:**  
 ENTREMATIC GROUP AB, RESERVES THE RIGHT TO  
 CHANGE & IMPROVE IT'S PRODUCTS & SPECIFICATIONS  
 WITHOUT NOTICE.

**ENTREMATIC**

TEL. 877-348-6837 (CANADA)  
 www.ditecentrematic.ca  
 TEL. 866-901-4284 (USA)  
 www.ditecentrematic.us

JOB NAME:	SHEET NO. <b>2</b>
LOCATION:	
DOOR NUMBER:	SECTION <b>LP</b>