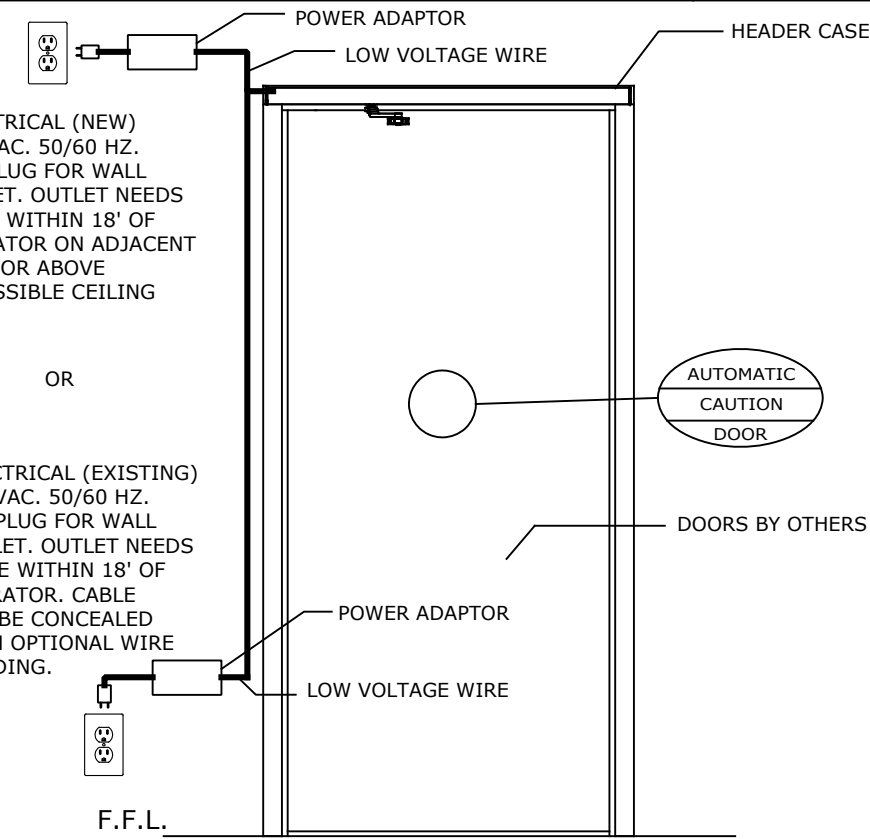


**DITEC HA7 - LOW ENERGY  
SURFACE APPLIED  
SWING DOOR OPERATOR  
" PUSH APPLICATION "**

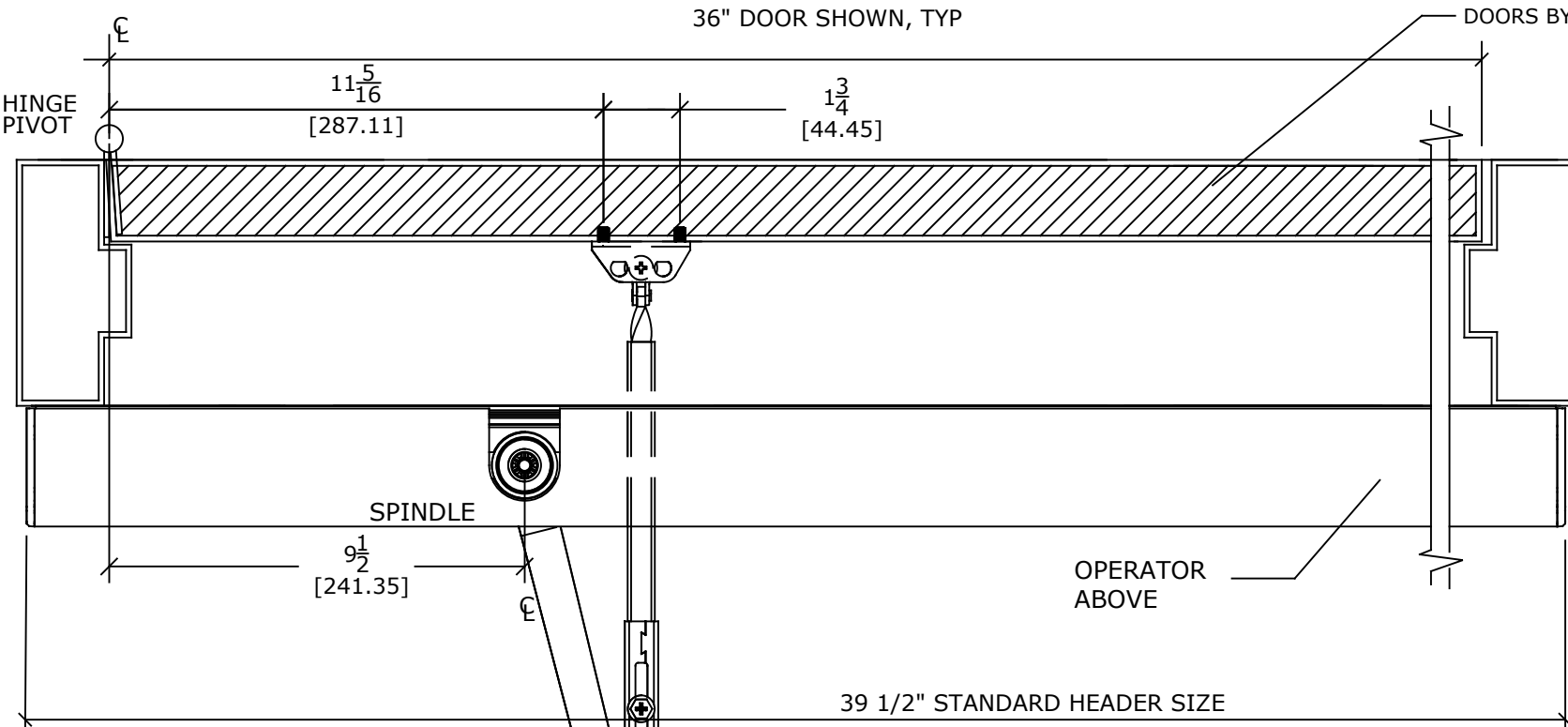
\* ELECTRICAL (NEW)  
120 VAC. 50/60 HZ.  
10A PLUG FOR WALL  
OUTLET. OUTLET NEEDS  
TO BE WITHIN 18' OF  
OPERATOR ON ADJACENT  
WALL OR ABOVE  
ACCESSIBLE CEILING  
LINE.

\* ELECTRICAL (EXISTING)  
120 VAC. 50/60 HZ.  
10A PLUG FOR WALL  
OUTLET. OUTLET NEEDS  
TO BE WITHIN 18' OF  
OPERATOR. CABLE  
CAN BE CONCEALED  
WITH OPTIONAL WIRE  
MOLDING.



LH PUSH SHOWN (RH OPPOSITE)

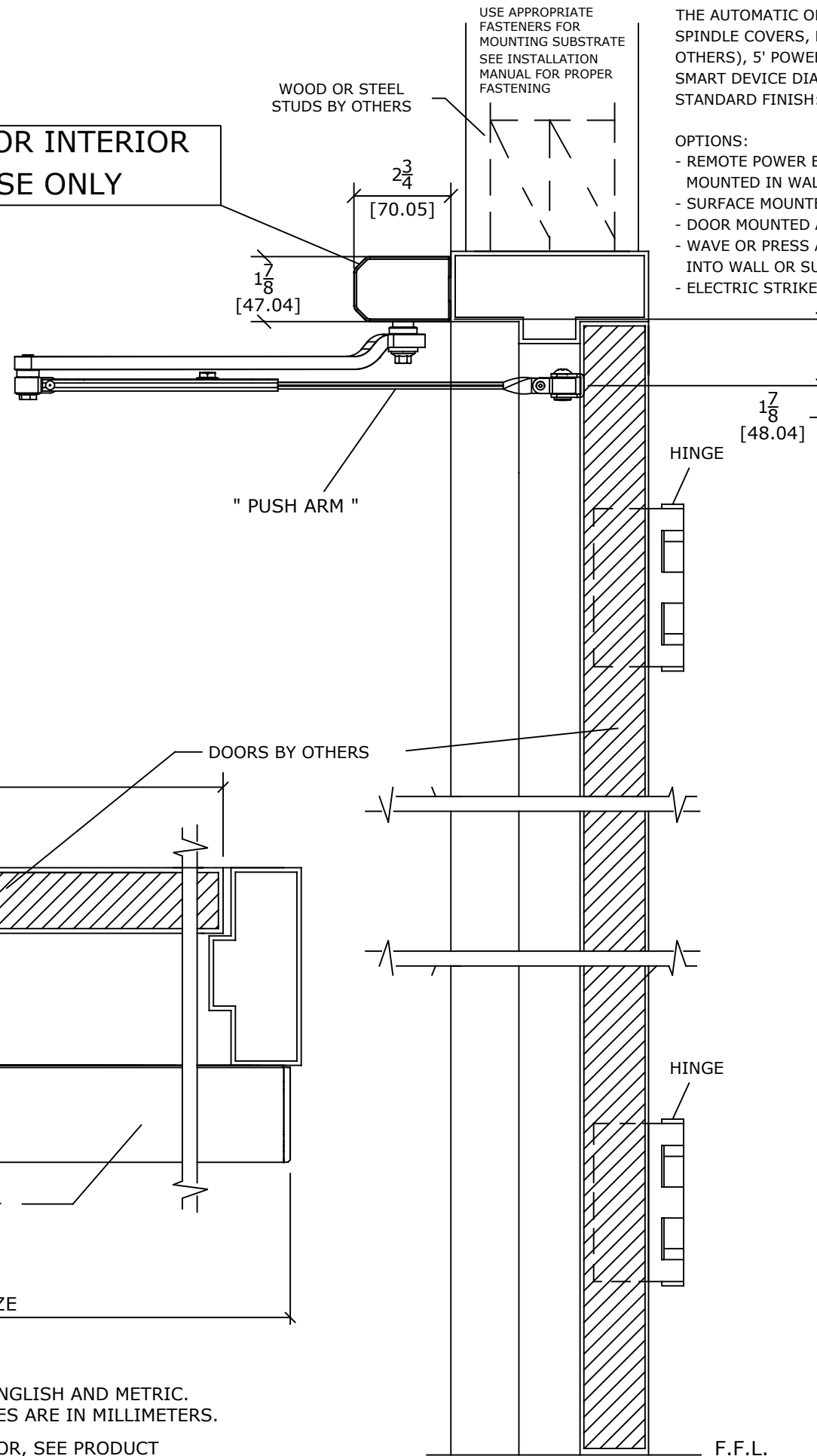
36" DOOR SHOWN, TYP



NOTE: DRAWING IS DIMENSIONED IN BOTH ENGLISH AND METRIC.  
REF. AS FOLLOWS: 1" (25.4). ALL METRIC SIZES ARE IN MILLIMETERS.

\* FOR MAXIMUM CURRENT DRAW PER OPERATOR, SEE PRODUCT  
SPECIFICATION OR INSTALLATION INSTRUCTIONS.  
POWER ADAPTOR TO BE INSTALLED PER NFPA 70/NEC REQUIREMENTS AND/OR AHJ

**FOR INTERIOR  
USE ONLY**



**NOTE:** THE STANDARD PACKAGE CONSISTS OF:  
THE AUTOMATIC OPERATOR, CONTROLLER, POWER SUPPLY, POWER SUPPLY HOLDER, PUSH ARM,  
SPINDLE COVERS, HOLD/AUTO/OFF SWITCH, SMART DEVICE OPERATION VIA APP (DEVICE BY  
OTHERS), 5' POWER CORD, 14' POWER CORD EXTENSION, ELECTRONIC & MECHANICAL LOCK KICK.  
SMART DEVICE DIAGNOSTICS & STATISTICS VIA APP (DEVICE BY OTHERS)  
STANDARD FINISH: CLEAR OR DARK BRONZE

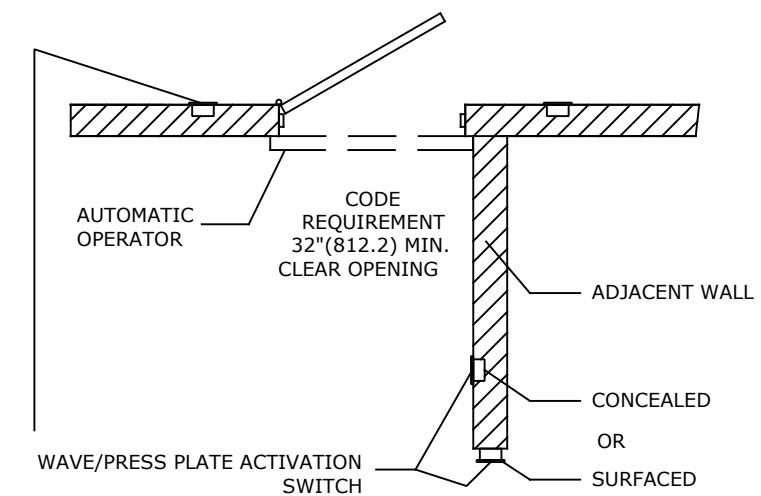
- OPTIONS:**
- REMOTE POWER BOX ADAPTOR KIT, CONCEALED IN CEILING OR FLUSH MOUNTED IN WALL. CUT SHEET AA-61
  - SURFACE MOUNTED WIRE MOLD
  - DOOR MOUNTED APPROACH SIDE SAFETY SENSOR
  - WAVE OR PRESS ACTIVATION PLATES (PLATES CAN BE CONCEALED INTO WALL OR SURFACE MOUNTED WITH WATER RESISTANT PLASTIC ENCLOSURE)
  - ELECTRIC STRIKE TO RELEASE DOOR LATCH (IF EQUIPPED)

**AUTOMATIC :-**  
ACTIVATE THE DOOR BY HANDICAPPED WAVE/PRESS PLATE AND THE DOOR WILL SLOWLY POWER OPEN, TIME OUT, AND SLOWLY CLOSE.

**PUSH ACTIVATION :- (OPTIONAL)**  
PUSH OR PULL THE DOOR AND IT WILL SLOWLY POWER OPEN , TIME OUT, AND SLOWLY CLOSE.

**NOTE :** OPERATIONAL ADJUSTMENTS TO BE IN ACCORDANCE WITH ANSI/BHMA A156.19 STANDARD. FOR LOW ENERGY POWER OPERATED DOORS.

**NOTE :** WAVE/PRESS PLATE ACTIVATION TO BE LOCATED WITHIN VIEW OF THE DOOR. REFERENCE ANSI A156.19 FOR FURTHER DETAILS.



DWG NO.	1021475				
DRN BY	SS	DATE	7/23/20	CHK BY	DATE
				REV. 2.0	DATE 11/2/20
