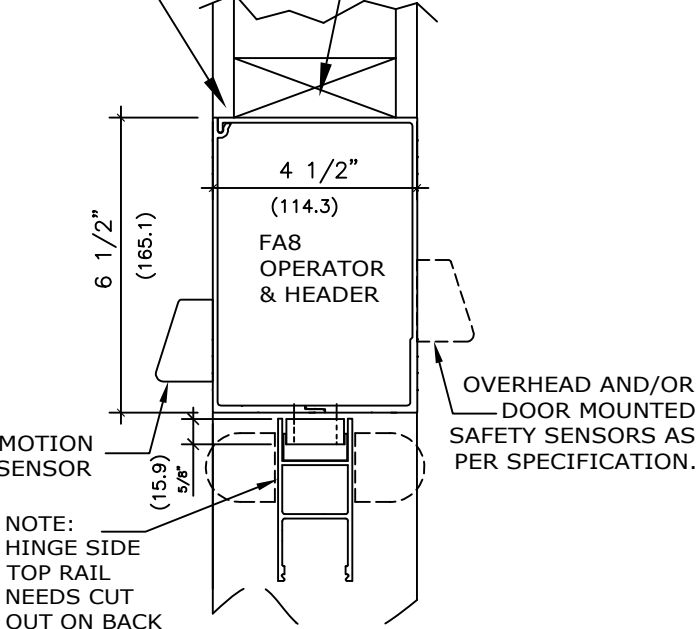


DRYWALL BY OTHERS  
 REINFORCEMENT BY OTHERS



**VERTICAL SECTION**

NOTE:  
 HINGE SIDE  
 TOP RAIL  
 NEEDS CUT  
 OUT ON BACK  
 OF DOOR FOR  
 OPERATOR ARM  
 (MIN 1 5/8" x  
 DEPTH OF WEB)  
 (41.3)

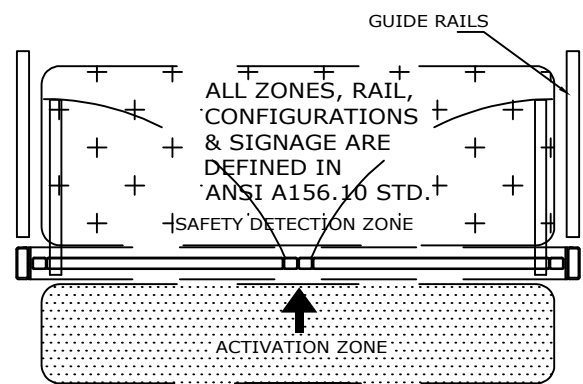
OVERHEAD AND/OR  
 DOOR MOUNTED  
 SAFETY SENSORS AS  
 PER SPECIFICATION.

APPLICATION:  
 FULLY AUTOMATIC  
 PAIR DOORS CENTER PIVOT

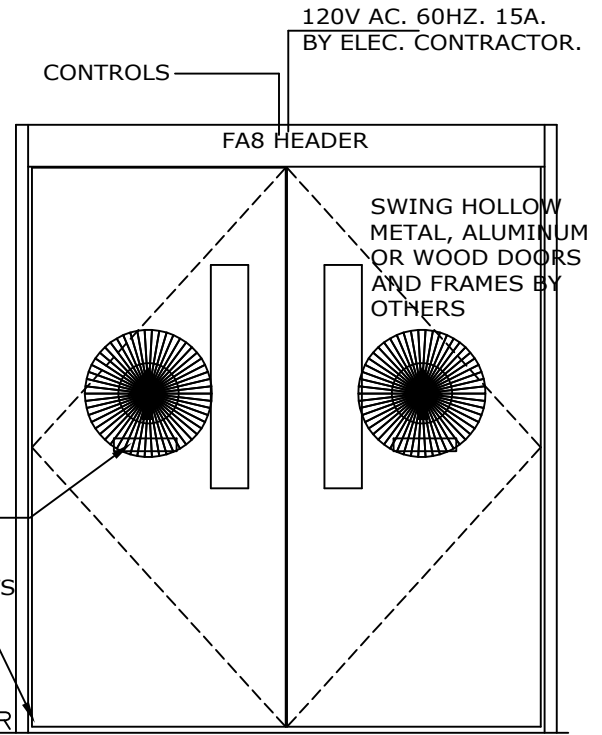
NOTE: DRAWING IS DIMENSIONED IN BOTH INCHES & METRIC (mm)  
 AUTOMATIC SWING DOOR OPERATOR SHALL BE "FA8" CETL USA  
 APPROVED, CONFORMING TO UL STD. 325 & ANSI-BHMA STD. A156.19  
 FIRE RATED TO UL STD. 10(B); UL STD. 10(C), CERTIFIED TO CAN.  
 CSA STD. C22.2#247 AS MANUFACTURED BY ENTREMATIC GROUP AB.  
 32" (813) CLEAR OPENING REQUIRED TO MEET ADA REQUIREMENT.

STANDARD FINISH: ANODIZED, CLEAR; DARK BRONZE;  
 SPECIAL FINISHES ARE AVAILABLE

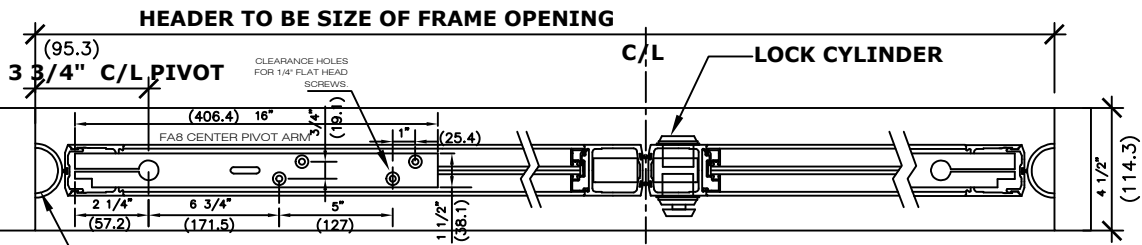
120V AC. 60HZ. 15A.  
 BY ELEC. CONTRACTOR.



**PLAN**



**ELEVATION**



**HORIZONTAL SECTION**

NOTE:  
 ENTREMATIC GROUP AB, RESERVES THE RIGHT TO  
 CHANGE & IMPROVE IT'S PRODUCTS & SPECIFICATIONS  
 WITHOUT NOTICE.

**ENTREMATIC**

TEL. 877-348-6837 (CANADA)  
 www.ditecentrematic.ca  
 TEL. 866-901-4284 (USA)  
 www.ditecentrematic.us

JOB NAME:	SHEET NO. <b>9</b>
LOCATION:	
DOOR NUMBER:	
SECTION <b>FA</b>	