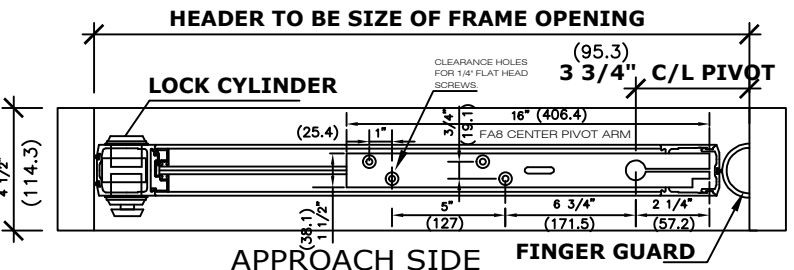
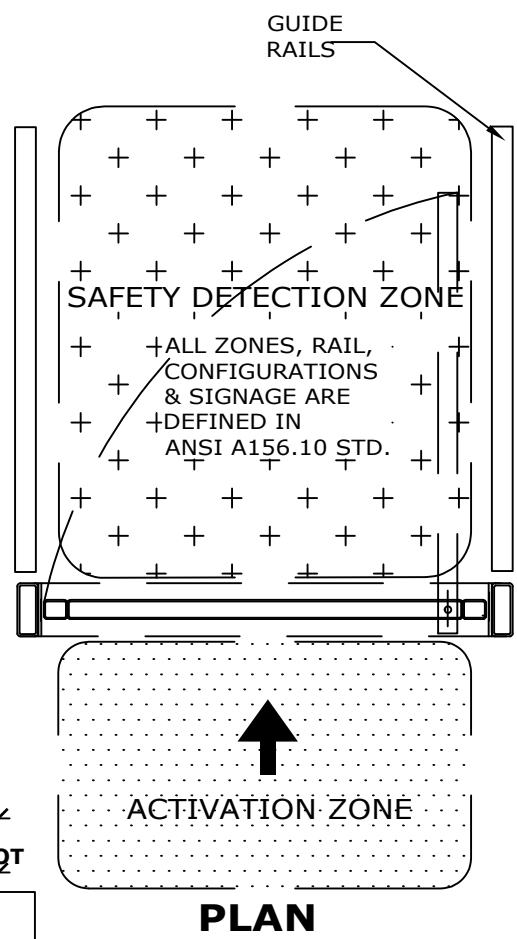


**VERTICAL SECTION**



**APPROACH SIDE HORIZONTAL SECTION**

NOTE:  
ENTREMATIAC GROUP AB, RESERVES THE RIGHT TO CHANGE & IMPROVE IT'S PRODUCTS & SPECIFICATIONS WITHOUT NOTICE.

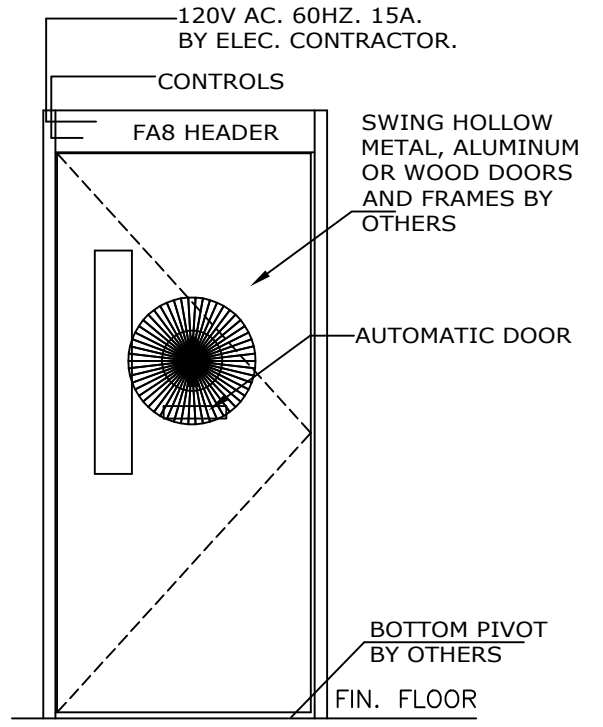


**PLAN**

**APPLICATION:**  
FULLY AUTOMATIC  
RIGHT HAND CENTER PIVOT

NOTE: DRAWING IS DIMENSIONED IN BOTH INCHES & METRIC (mm)  
AUTOMATIC SWING DOOR OPERATOR SHALL BE "FA8" CETL USA APPROVED, CONFORMING TO UL STD. 325 & ANSI-BHMA STD. A156.19 FIRE RATED TO UL STD. 10(B); UL STD. 10(C), CERTIFIED TO CAN. CSA STD. C22.2#247 AS MANUFACTURED BY ENTREMATIAC GROUP AB. 32" (813) CLEAR OPENING REQUIRED TO MEET ADA REQUIREMENT.

STANDARD FINISH: ANODIZED, CLEAR; DARK BRONZE; SPECIAL FINISHES ARE AVAILABLE



**ELEVATION**

**ENTREMATIAC**

TEL. 877-348-6837 (CANADA)  
www.ditecentrematic.ca  
TEL. 866-901-4284 (USA)  
www.ditecentrematic.us

JOB NAME:	SHEET NO. <b>7</b>
LOCATION:	
DOOR NUMBER:	SECTION <b>FA</b>