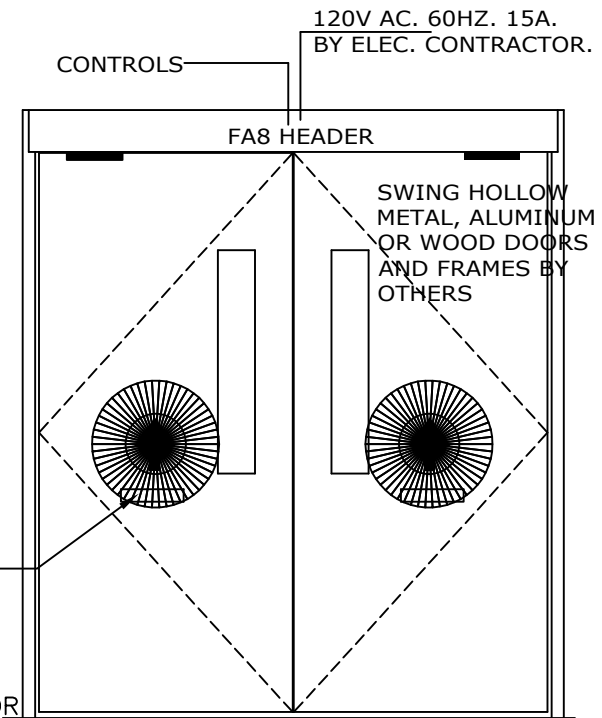


APPLICATION:  
FULLY AUTOMATIC  
PAIR DOORS PUSH

NOTE: DRAWING IS DIMENSIONED IN BOTH INCHES & METRIC (mm)  
AUTOMATIC SWING DOOR OPERATOR SHALL BE "FA8" CETL USA  
APPROVED, CONFORMING TO UL STD. 325 & ANSI-BHMA STD. A156.19  
FIRE RATED TO UL STD. 10(B); UL STD. 10(C), CERTIFIED TO CAN.  
CSA STD. C22.2#247 AS MANUFACTURED BY ENTREMATIC GROUP AB.  
32" (813) CLEAR OPENING REQUIRED TO MEET ADA REQUIREMENT.

STANDARD FINISH: ANODIZED, CLEAR; DARK BRONZE;  
SPECIAL FINISHES ARE AVAILABLE



|  |  |              |                       |
|--|--|--------------|-----------------------|
| <b>ENTREMATIC</b>                                    |  | JOB NAME:    | SHEET NO.<br><b>3</b> |
| TEL. 877-348-6837 (CANADA)<br>www.ditecentrematic.ca |  | LOCATION:    |                       |
| TEL. 866-901-4284 (USA)<br>www.ditecentrematic.us    |  | DOOR NUMBER: |                       |
|  |  |              | SECTION<br><b>FA</b>  |