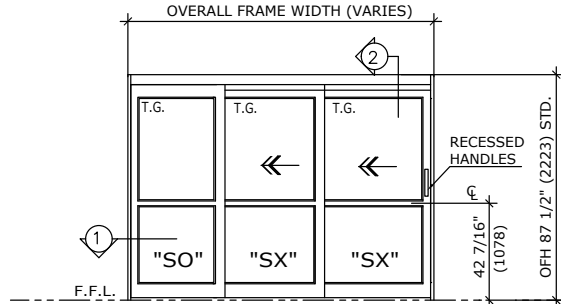


MANUAL SLIDING DOOR SYSTEM SHALL BE "DS9" AS ENGINEERED, MANUFACTURED & ASSEMBLED BY ENTREMATIC GROUP AB.

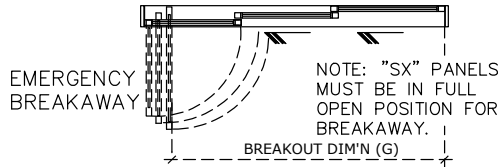
STANDARD FINISH: ANODIZED, CLEAR; DARK BRONZE;
SPECIAL FINISHES ARE AVAILABLE

APPLICATION:
TRACKLESS TELESCOPIC LEFT HAND, MANUAL SLIDER SYSTEM.

NOTE: DRAWING IS DIMENSIONED IN BOTH INCHES & METRIC (mm)



DOOR ELEVATION



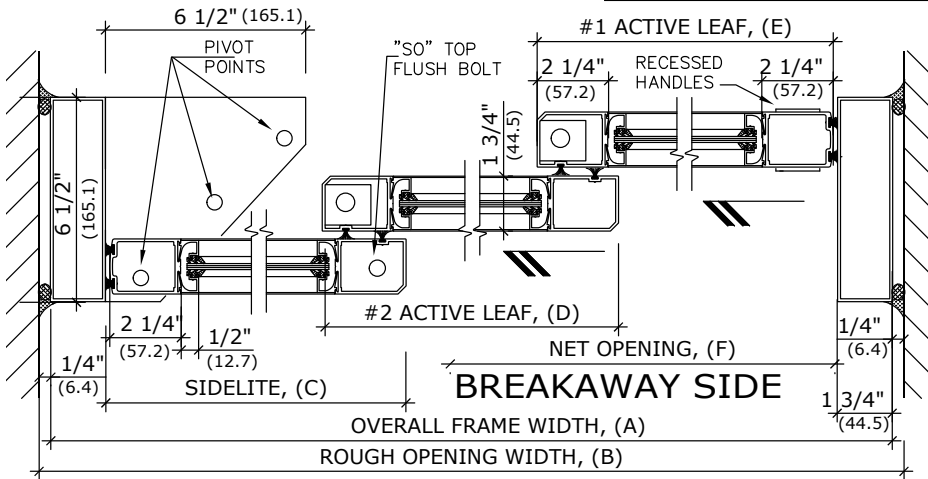
UNIT DESCRIPTION

DITEC

SO-SX-SX: TRACKLESS TELESCOPIC OVERHEAD CONCEALED L.H. SLIDE NARROW STILE F.B.O. MANUAL DOOR SYSTEM.

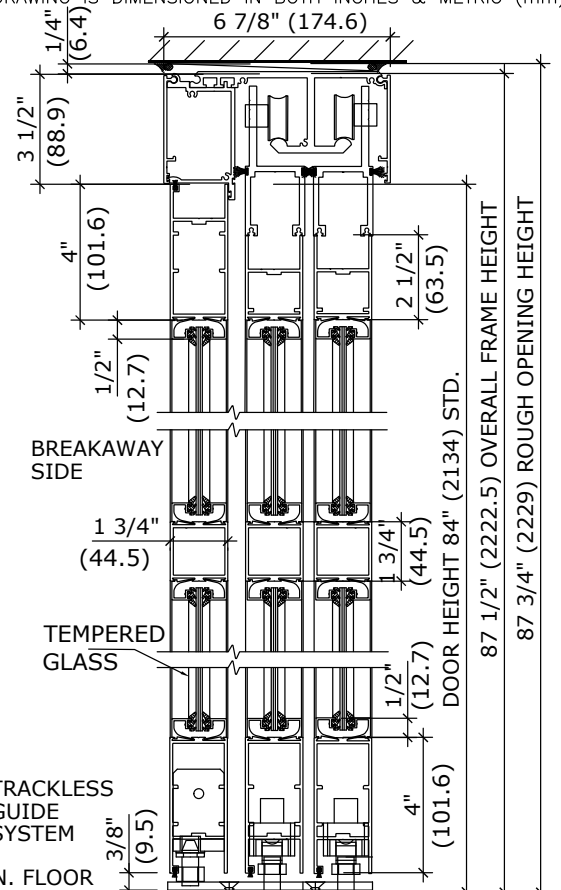
STD. PACKAGE SHALL INCLUDE LOW PROFILE HEADER, FRAME, AND DOORS WITH MUNTIN, BOTTOM RAILS WITH CONCEALED SWEEP, BRUSH-PILE WEATHER STRIPPING, EMERGENCY BREAKAWAY, GLAZING STOPS FOR T.G. AND RECESSED HANDLES. BOTTOM GUIDE SYSTEM SHALL BE TRACKLESS.

SIZE	OVERALL FRAME A WIDTH	ROUGH OPENING B WIDTH	SIDELITE PANEL C WIDTH	#2 ACTIVE PANEL D WIDTH	#1 ACTIVE PANEL E WIDTH	NET DOOR F OPENING	BREAK OUT G DIM'N
84"	84" (2133.6)	84 1/2" (2146.3)	22 11/16" (576.2)	28 11/16" (728.6)	34 11/16" (881)	40 13/16" (1036.6)	73 1/2" (1867)
96"	96" (2438.4)	96 1/2" (2451.1)	26 11/16" (677.8)	32 11/16" (830.2)	38 11/16" (982.6)	48 13/16" (1239.8)	85 1/2" (2171.7)
108"	108" (2743.2)	108 1/2" (2755.9)	30 11/16" (779.4)	36 11/16" (931.8)	42 11/16" (1084.2)	56 13/16" (1443)	97 1/2" (2476.5)
KEY INCHES KEY (mm)	[B-1/2] (B-12.7)	[A+1/2] (A+12.7)	[A-16]/3 (A-406)/3	[C+6] (C+152.4)	[D+6] (D+152.4)	A-[E+8 1/2] A-(E+216)	[A-10 1/2] (A-266.7)



1 HORIZONTAL SECTION

REFER TO RELEVANT (LOCAL, STATE, NATIONAL OR AHJ) BUILDING CODE FOR MIN DOOR HEIGHT & MIN/MAX WIDTH ALLOWABLE FOR EGRESS REQUIREMENT.
NOTE:
ENTREMATIC GROUP AB, RESERVES THE RIGHT TO CHANGE & IMPROVE IT'S PRODUCTS & SPECIFICATIONS WITHOUT NOTICE.



2 VERTICAL SECTION

ENTREMATIC

TEL. 877-348-6837 (CANADA)
www.ditecentrematic.ca
TEL. 866-901-4284 (USA)
www.ditecentrematic.us

SHEET TITLE:			SHEET NO. 4
ARCHITECT:			
CONTRACTOR:			DS9
SCALE:	DRAWN BY:	DATE:	