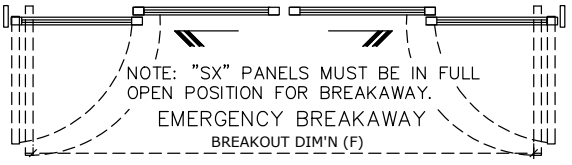


**DOOR ELEVATION**



MANUAL SLIDING DOOR SYSTEM SHALL BE "DS9" AS ENGINEERED, MANUFACTURED & ASSEMBLED BY ENTREMATIC GROUP AB.

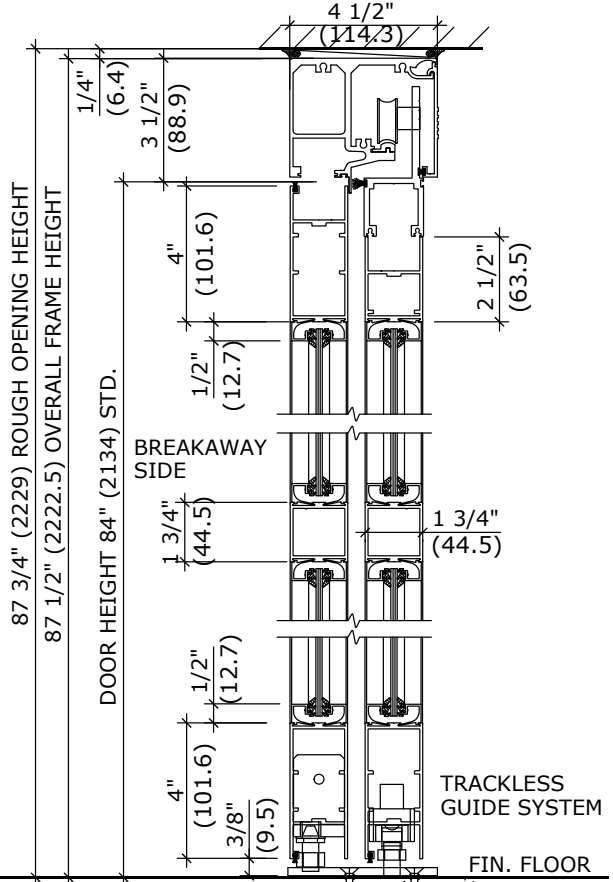
STANDARD FINISH: ANODIZED, CLEAR; DARK BRONZE; SPECIAL FINISHES ARE AVAILABLE

UNIT DESCRIPTION						
DITEC						
SO-SX-SX-SO: TRACKLESS OVERHEAD CONCEALED F.B.O. BI-PART NARROW STILE MANUAL DOOR SYSTEM.						
STD. PACKAGE SHALL INCLUDE LOW PROFILE HEADER, FRAME AND DOORS WITH MUNTIN, BOTTOM RAILS WITH CONCEALED SWEEP, BRUSH-PILE WEATHER STRIPPING, EMERGENCY BREAKAWAY, GLAZING STOPS FOR T.G. AND RECESSED HANDLES, BOTTOM GUIDE SYSTEM SHALL BE TRACKLESS.						

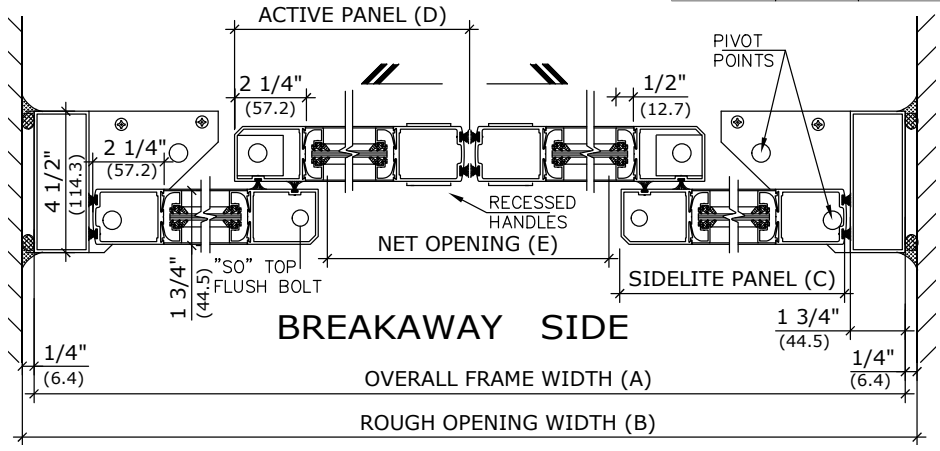
SIZE	OVERALL FRAME A WIDTH	ROUGH OPENING B WIDTH	SIDELITE PANEL C WIDTH	ACTIVE PANEL D WIDTH	NET DOOR E OPENING	BREAK OUT F DIM'N
120"	120" (3048)	120 1/2" (3060.7)	27 1/2" (698.5)	33 1/2" (800.1)	44 1/4" (1124)	107 1/2" (2730.5)
144"	144" (3657.6)	144 1/2" (3670.3)	33 1/2" (800.1)	39 1/2" (1003.3)	56 1/4" (1435.1)	131 1/2" (3340.1)
168"	168" (4267.2)	168 1/2" (4279.9)	39 1/2" (1003.3)	45 1/2" (1155.7)	68 1/4" (1733.6)	155 1/2" (3949.7)
KEY INCHES KEY (mm)	[B-1/2] (B-12.7)	[A+1/2] (A+12.7)	[A/4-2 1/2] (A/4-63.5)	[A/4+3 1/2] (A/4+88.9)	[A/2-15 3/4] (A/2-400.1)	[A-12 1/2] (A-317.5)

APPLICATION: TRACKLESS BI-PART, FBO MANUAL SLIDER SYSTEM.

NOTE: DRAWING IS DIMENSIONED IN BOTH INCHES & METRIC (mm)



**2 VERTICAL SECTION**



**BREAKAWAY SIDE**

**1 HORIZONTAL SECTION**

REFER TO RELEVANT (LOCAL, STATE, NATIONAL OR AHJ) BUILDING CODE FOR MIN DOOR HEIGHT & MIN/MAX WIDTH ALLOWABLE FOR EGRESS REQUIREMENT.  
NOTE: ENTREMATIC GROUP AB, RESERVES THE RIGHT TO CHANGE & IMPROVE IT'S PRODUCTS & SPECIFICATIONS WITHOUT NOTICE.

**ENTREMATIC**

TEL. 877-348-6837 (CANADA)  
www.ditecentrematic.ca  
TEL. 866-901-4284 (USA)  
www.ditecentrematic.us

SHEET TITLE:			SHEET NO. <b>3</b>
ARCHITECT:			
CONTRACTOR:			<b>DS9</b>
DETAIL SCALE	DRAWN BY	DATE	