

MANUAL SLIDING DOOR SYSTEM SHALL BE "DS9" AS ENGINEERED, MANUFACTURED & ASSEMBLED BY ENTREMATIC GROUP AB.

STANDARD FINISH: ANODIZED, CLEAR; DARK BRONZE; SPECIAL FINISHES ARE AVAILABLE

APPLICATION:
TRACKLESS RIGHT HAND, FBO MANUAL SLIDER SYSTEM.

NOTE: DRAWING IS DIMENSIONED IN BOTH INCHES & METRIC (mm)

UNIT DESCRIPTION

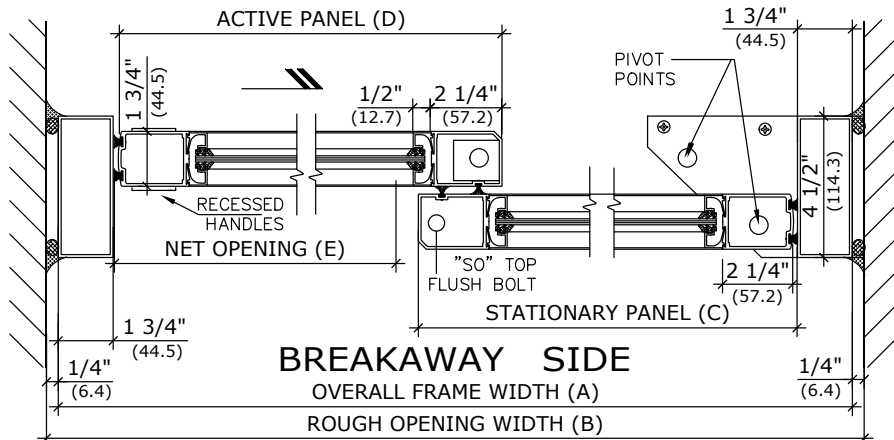
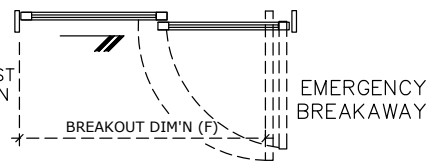
DITEC

SX-SO TRACKLESS - OVERHEAD CONCEALED F.B.O. R.H. SINGLE SLIDE NARROW STILE MANUAL DOOR SYSTEM.

STD. PACKAGE SHALL INCLUDE LOW PROFILE HEADER, FRAME, AND DOORS WITH MUNTIN, BOTTOM RAILS WITH CONCEALED SWEEP, BRUSH-PILE WEATHER STRIPPING, EMERGENCY BREAKAWAY, GLAZING STOPS FOR T.G. AND RECESSED HANDLES. BOTTOM GUIDE SYSTEM SHALL BE TRACKLESS.

| SIZE | OVERALL FRAME A WIDTH | ROUGH OPENING B WIDTH | SIDELITE PANEL C WIDTH | ACTIVE PANEL D WIDTH | NET DOOR E OPENING | BREAK OUT F DIM'N |
|------------|-----------------------|-----------------------|------------------------|----------------------|--------------------|-------------------|
| 84" | 84" (2133.6) | 84 1/2" (2146.3) | 38 5/8" (981.1) | 44 5/8" (1133.5) | 33 1/4" (844.6) | 76" (1930.4) |
| 96" | 96" (2438.4) | 96 1/2" (2451.1) | 44 5/8" (1133.5) | 50 5/8" (1285.9) | 39 1/4" (997) | 88" (2235.2) |
| 108" | 108" (2743.2) | 108 1/2" (2755.9) | 50 5/8" (1285.9) | 56 5/8" (1438.3) | 45 1/4" (1149.4) | 100" (2540) |
| KEY INCHES | [B-1/2] | [A+1/2] | [A/2-3 3/8] | [A/2+2 5/8] | [A/2-8 3/4] | [A-8] |
| KEY (mm) | (B-12.7) | (A+12.7) | (A/2-85.7) | (A/2+66.7) | (A/2-222.3) | (A-203.2) |

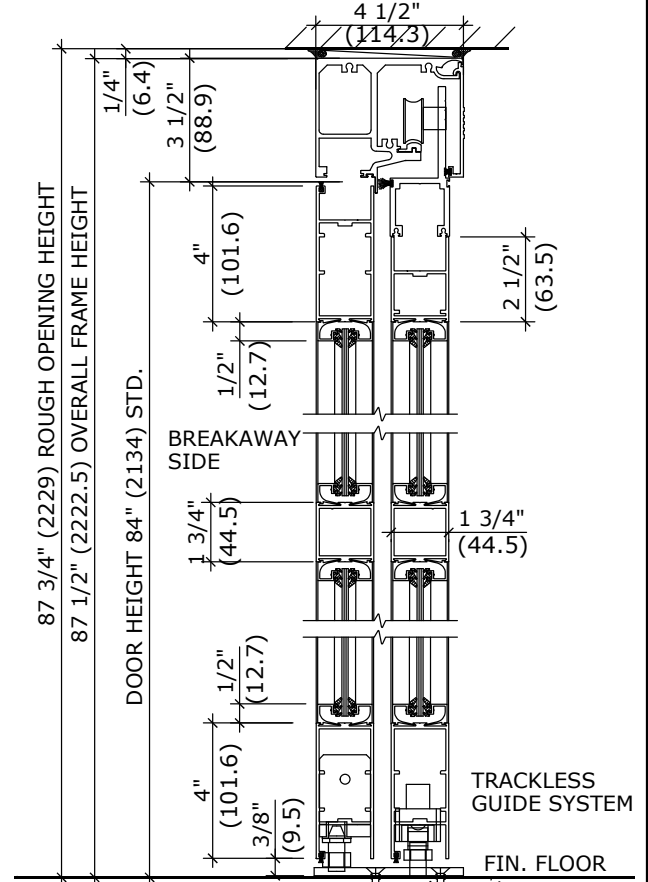
NOTE: "SX" PANEL MUST BE IN FULL OPEN POSITION FOR BREAKAWAY.



1 HORIZONTAL SECTION

REFER TO RELEVANT (LOCAL, STATE, NATIONAL OR AHJ) BUILDING CODE FOR MIN DOOR HEIGHT & MIN/MAX WIDTH ALLOWABLE FOR EGRESS REQUIREMENT.

NOTE: ENTREMATIC GROUP AB, RESERVES THE RIGHT TO CHANGE & IMPROVE IT'S PRODUCTS & SPECIFICATIONS WITHOUT NOTICE.



2 VERTICAL SECTION

ENTREMATIC

TEL. 877-348-6837 (CANADA)
www.ditecentrematic.ca
TEL. 866-901-4284 (USA)
www.ditecentrematic.us

| | | | |
|--------------|----------|------|-----------------------|
| SHEET TITLE: | | | SHEET NO. 2 |
| ARCHITECT: | | | |
| CONTRACTOR: | | | SECTION DS9 |
| DETAIL SCALE | DRAWN BY | DATE | |