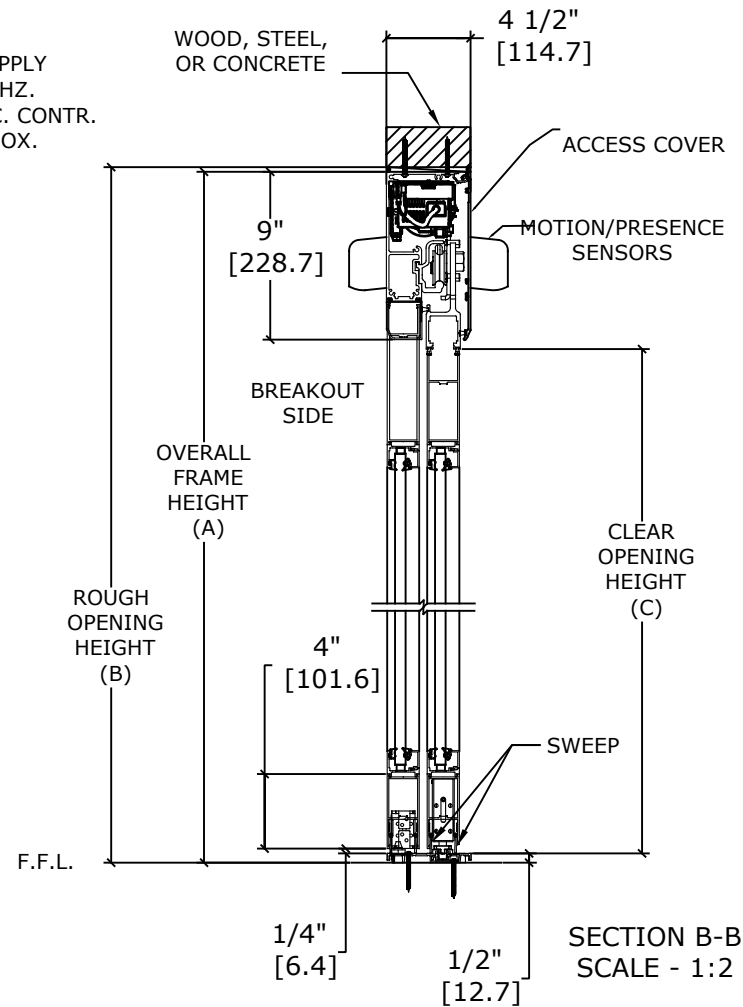
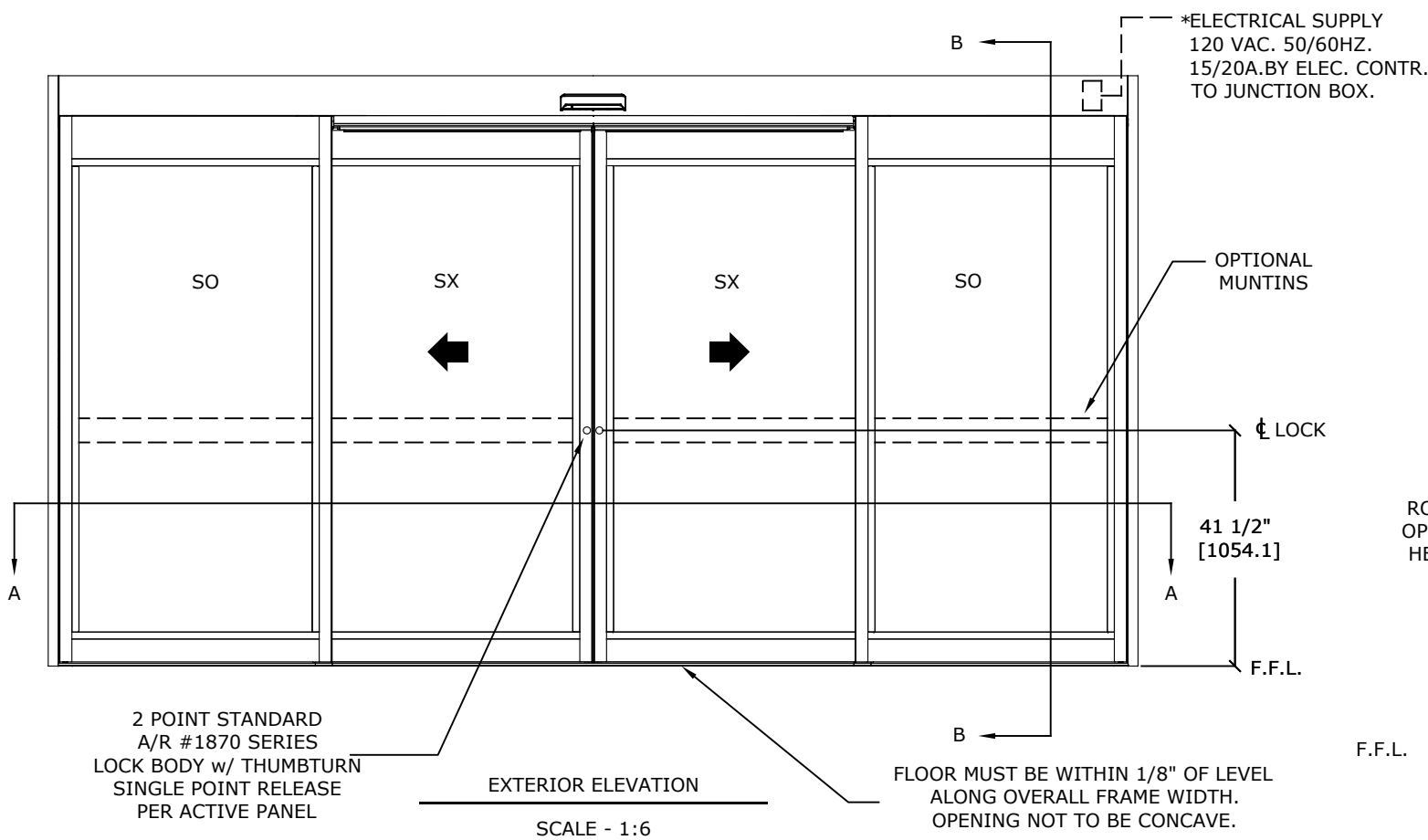


DS-20H-2-FB-I
Hurricane, Overhead Concealed, Narrow Stile, Full Breakout,
Bi-Part
Large & Small Missile Impact - Level D



	OFW (A)	ROUGH OPENING (B)	CLEAR OPENING (C)	DOOR WIDTH (D)	BREAKOUT WIDTH (E)
AT MAX WIDTH	192" [4876.8]	192 1/2" [4889.5]	81 5/8" [2060.6]	48 5/8" [1235.1]	175 9/16" [4459.3]
WIDTH FORMULA	B - 1/2" B - [12.7]	A + 1/2" A + [12.7]	A/2 - 13 7/8" A/2 - [352.4]	A/4 + 5/8" A/4 + [15.9]	A - 16 7/16" A - [417.5]
AT MAX HEIGHT	96" [2438.4]	96 1/4" [2444.75]	86" [2184.4]		
HEIGHT FORMULA	B - 1/4" B - [6.35]	A + 1/4" A + [6.35]	A - 10" A - [254.0]		

GLASS FORMULA: OFW /4 - 4 3/4 [120.7] X OFH -20 1/2 [520.70]

NOTES:

STANDARD PACKAGE CONSISTS OF:

- STANDARD FINISH:
CLASS 1, .018MM, CLEAR- AA-M12C22A41
CLASS 1, .018MM, DARK BRONZE- AA-M12C22A44
- AUTOMATIC OPERATOR
- NARROW STILE RAILS
- THRESHOLD
- 2-POINT LOCK WITH LOCK INDICATOR
- 9/16" GLASS STOPS AND BLOCKS
- 1/4" HS - .090" DUPONT SENTRYGLAS PLUS® - 1/4" HS
- DRY GLAZED
- MOTION/PRESENCE SENSORS
- 5-POSITION KNOB SWITCH
- BALL CATCH
- DUAL CONCEALED SWEEPS IN SX & SO PANELS
- 4" BOTTOM RAILS

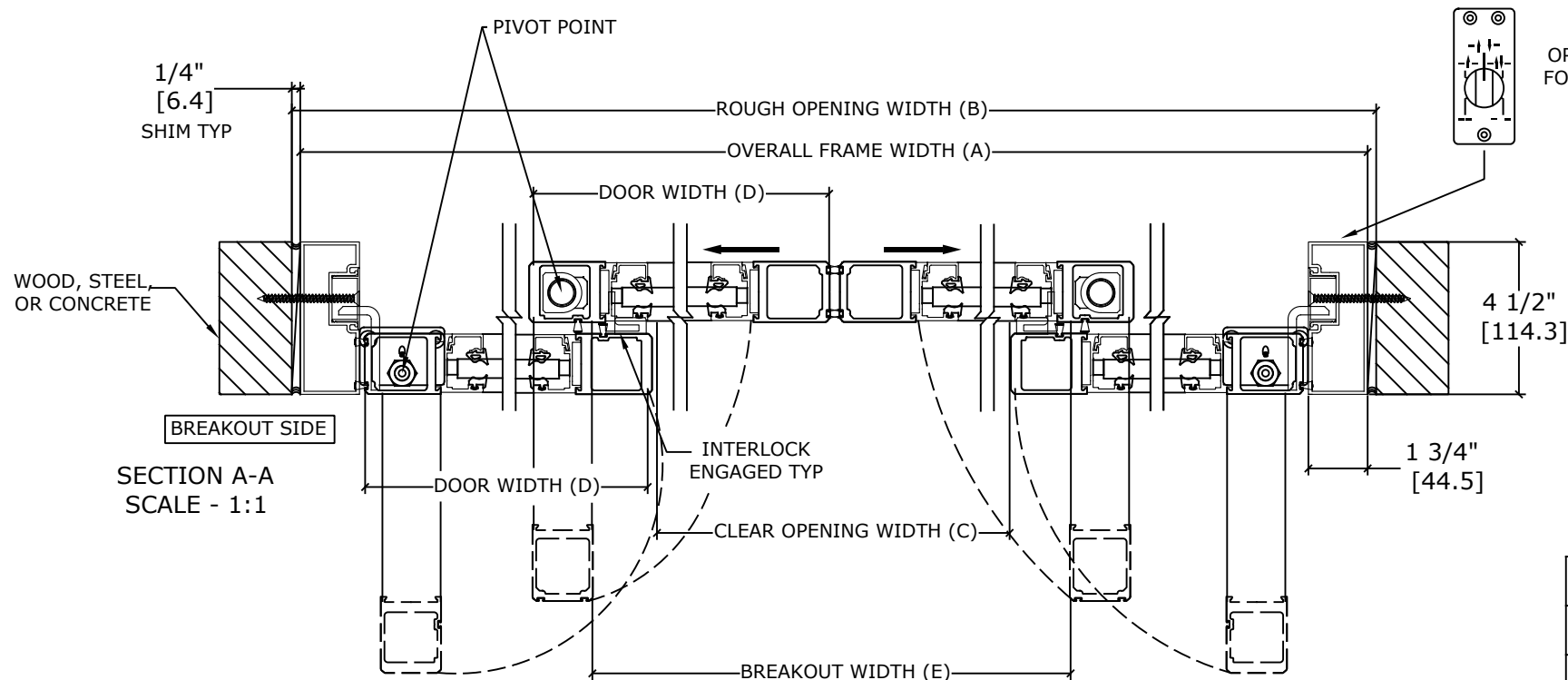
OPTIONS AVAILABLE:

- SPECIAL FINISHES
- PANIC EXIT DEVICE
- THRESHOLD LEAD-UP
- RECESSED THRESHOLD
- TRUE DIVIDED MUNTINS
- 7"/10" BOTTOM RAILS
- MEDIUM STILES
- CRASH BARS

FOR MAXIMUM CURRENT DRAW, SEE PRODUCT SPECIFICATION,
INSTALLATION INSTRUCTIONS, OR THE UL LABEL ON THE EQUIPMENT.

TEST PROTOCOLS: TAS 201, TAS 202 & TAS 203
FLORIDA PRODUCT APPROVAL # FL33056

REFER TO RELEVANT [LOCAL, STATE, NATIONAL, OR AHJ]
BUILDING CODE FOR MIN DOOR HEIGHT & MIN/MAX WIDTH
ALLOWABLE FOR EGRESS REQUIREMENT IN CONJUNCTION
WITH TABLE.



OPTIONAL FACTORY PREP
FOR SWITCH LOCATION @
74-1/2"H [1892.3]

DESIGN PRESSURE RATING	
WHERE WATER INFILTRATION REQUIREMENT IS NEEDED	WHERE WATER INFILTRATION REQUIREMENT IS NOT NEEDED
NOT APPROVED	+/- 75 PSF

DWG NO.	DRN BY	DATE	CHK BY	DATE	REV.	DATE
	SJF	8/27/20			0.1	8/30/20