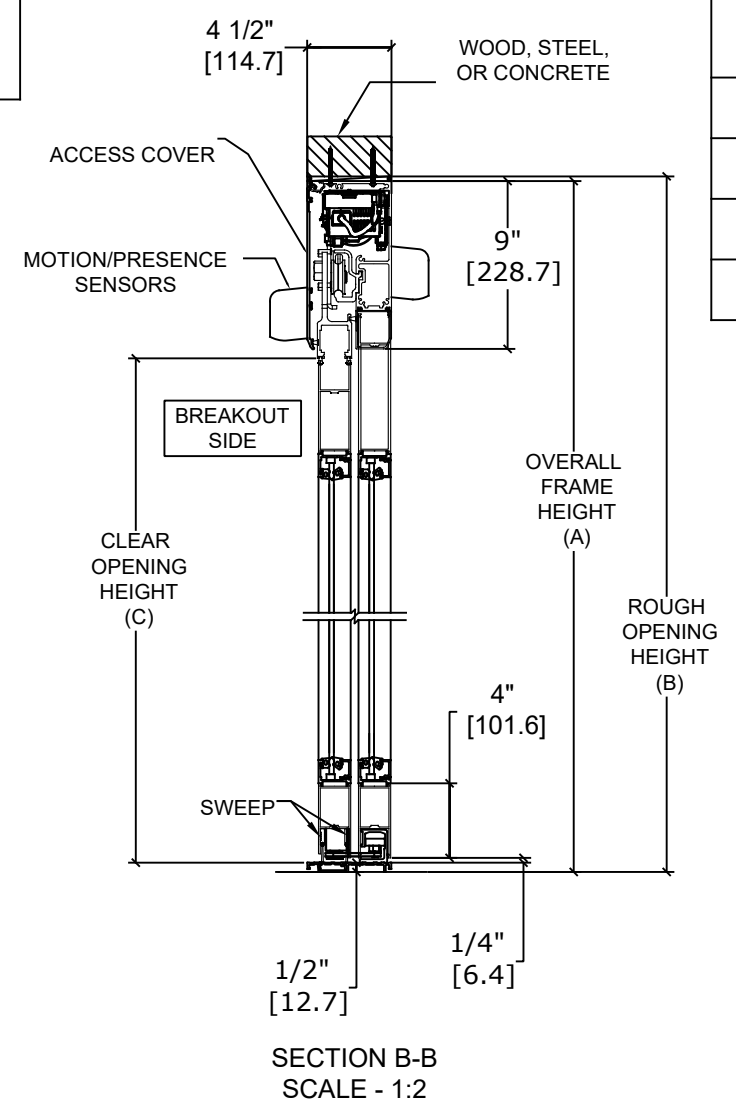
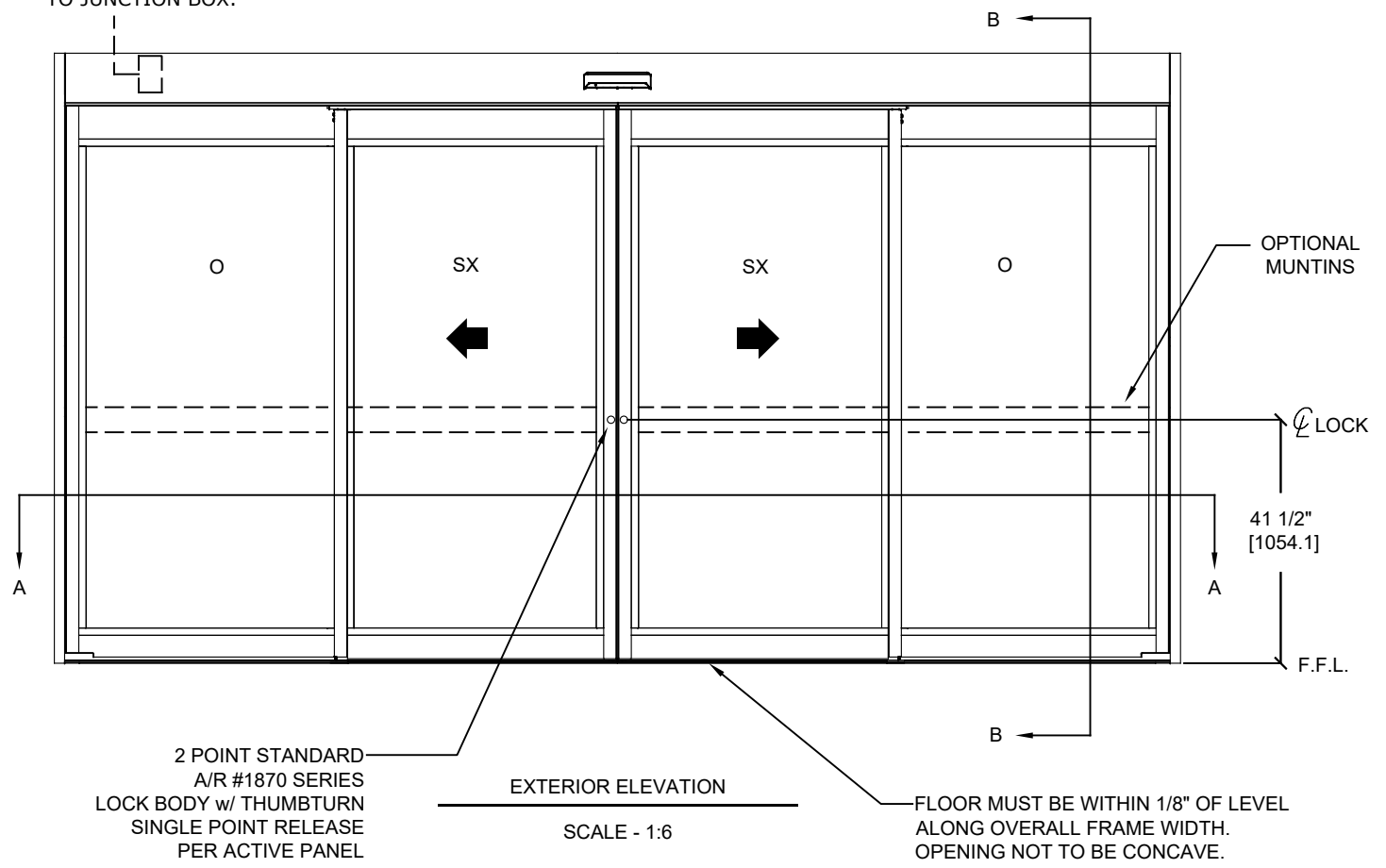


\*ELECTRICAL SUPPLY  
120 VAC. 50/60HZ.  
15/20A. BY ELEC. CONTR.  
TO JUNCTION BOX.



	OFW (A)	ROUGH OPENING (B)	CLEAR OPENING (C)	DOOR WIDTH (D)	BREAKOUT WIDTH (E)
AT MAX WIDTH	192" [4876.8]	192 1/2" [4889.5]	78 1/8" [1984.4]	48 5/8" [1235.1]	90 7/8" [2308.2]
WIDTH FORMULA	B - 1/2" B - [12.7]	A + 1/2" A + [12.7]	A/2 - 17 7/8" A/2 - [454]	A/4 + 1 5/8" A/4 + [41.3]	A/2 - 5 1/8" A/2 - [130.2]
AT MAX HEIGHT	96" [2438.4]	96 1/4" [2444.75]	86" [2184.4]		
HEIGHT FORMULA	B - 1/4" B - [6.35]	A + 1/4" A + [6.35]	A - 10" A - [254.0]		

GLASS FORMULA: OFW /4 - 4 3/4 [120.7] X OFH -20 1/2 [520.70]

**NOTES:**

- STANDARD PACKAGE CONSISTS OF:
- STANDARD FINISH:
    - CLASS 1, .018MM, CLEAR- AA-M12C22A41
    - CLASS 1, .018MM, DARK BRONZE- AA-M12C22A44
  - AUTOMATIC OPERATOR
  - NARROW STILE RAILS
  - THRESHOLD
  - 3-POINT LOCK WITH LOCK INDICATOR
  - 1/4" [6mm] TEMPERED GLASS
  - DRY GLAZED
  - MOTION/PRESENCE SENSORS
  - 5-POSITION KNOB SWITCH
  - BALL CATCH
  - DUAL CONCEALED SWEEPS IN SX PANELS

OPTIONS AVAILABLE:

- SPECIAL FINISHES
- THRESHOLD LEAD-UP
- RECESSED THRESHOLD
- TRUE DIVIDED MUNTINS
- 7"/10" BOTTOM RAILS
- CRASH BARS

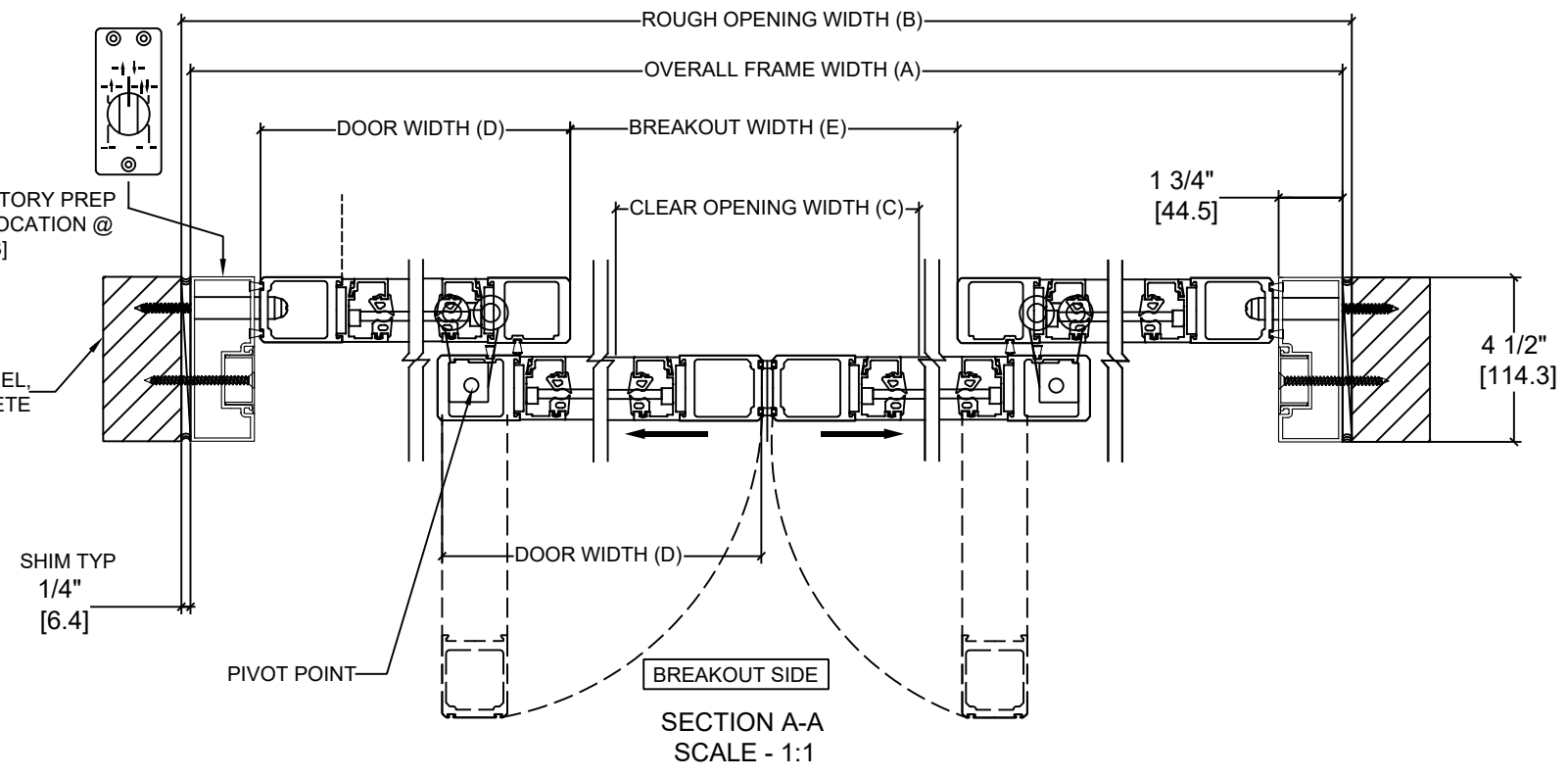
FOR MAXIMUM CURRENT DRAW, SEE PRODUCT SPECIFICATION, INSTALLATION INSTRUCTIONS, OR THE UL LABEL ON THE EQUIPMENT.

TEST PROTOCOLS: TAS 201, TAS 202 & TAS 203  
FLORIDA PRODUCT APPROVAL # 33056

REFER TO RELEVANT [LOCAL, STATE, NATIONAL, OR AHJ] BUILDING CODE FOR MIN DOOR HEIGHT & MIN/MAX WIDTH ALLOWABLE FOR EGRESS REQUIREMENT IN CONJUNCTION WITH TABLE.

DIMENSIONS ARE IN INCHES [mm]

DESIGN PRESSURE RATING	
WHERE WATER INFILTRATION REQUIREMENT IS NEEDED	WHERE WATER INFILTRATION REQUIREMENT IS NOT NEEDED
NOT APPROVED	+/- 75 PSF



DWG NO.

DRN BY	SJF	DATE	8/27/20	CHK BY	DATE	REV.	0.1	DATE	8/30/20
--------	-----	------	---------	--------	------	------	-----	------	---------

SECTION NO.

SHEET NO.

**ENTREMATI DS20H 4**