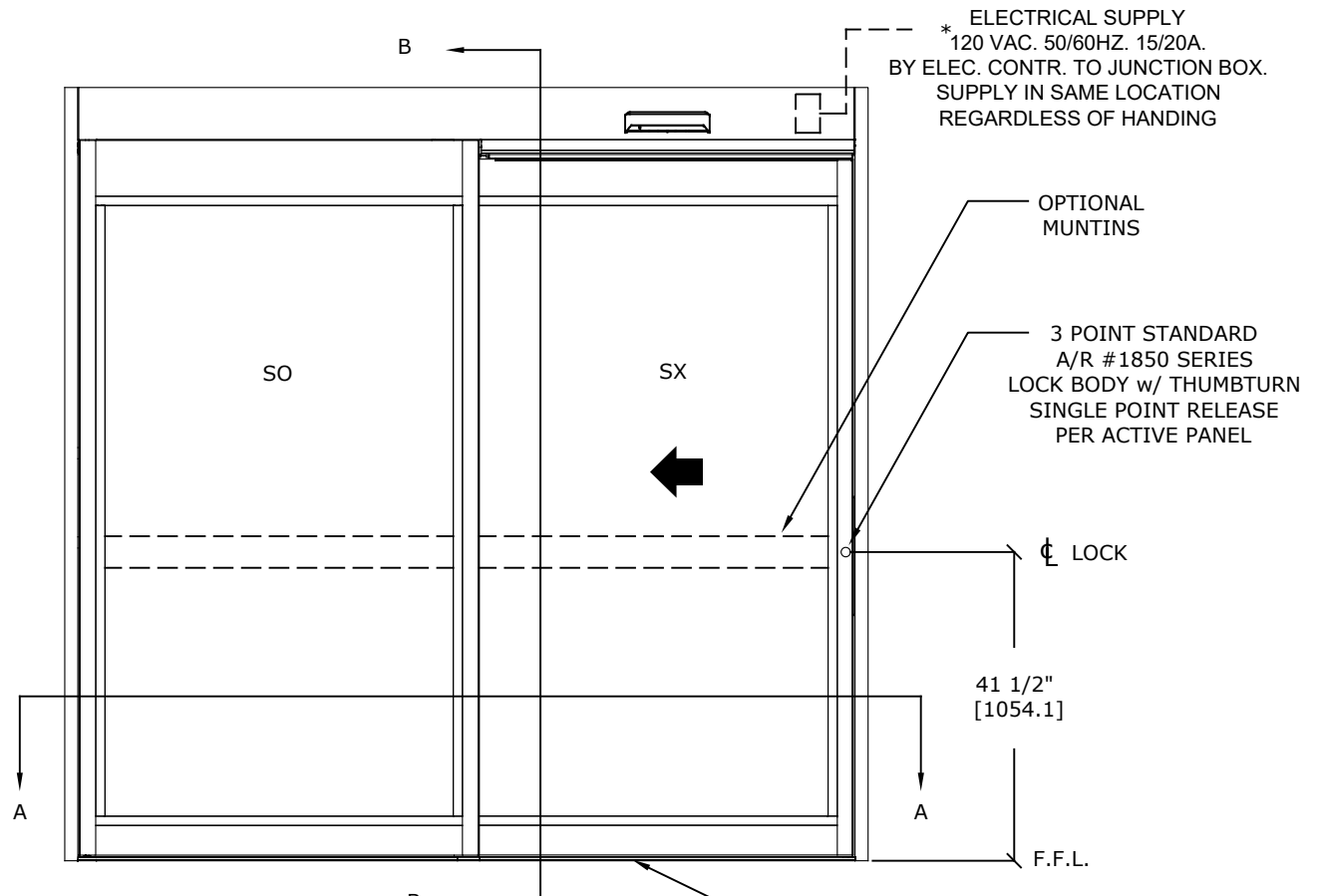
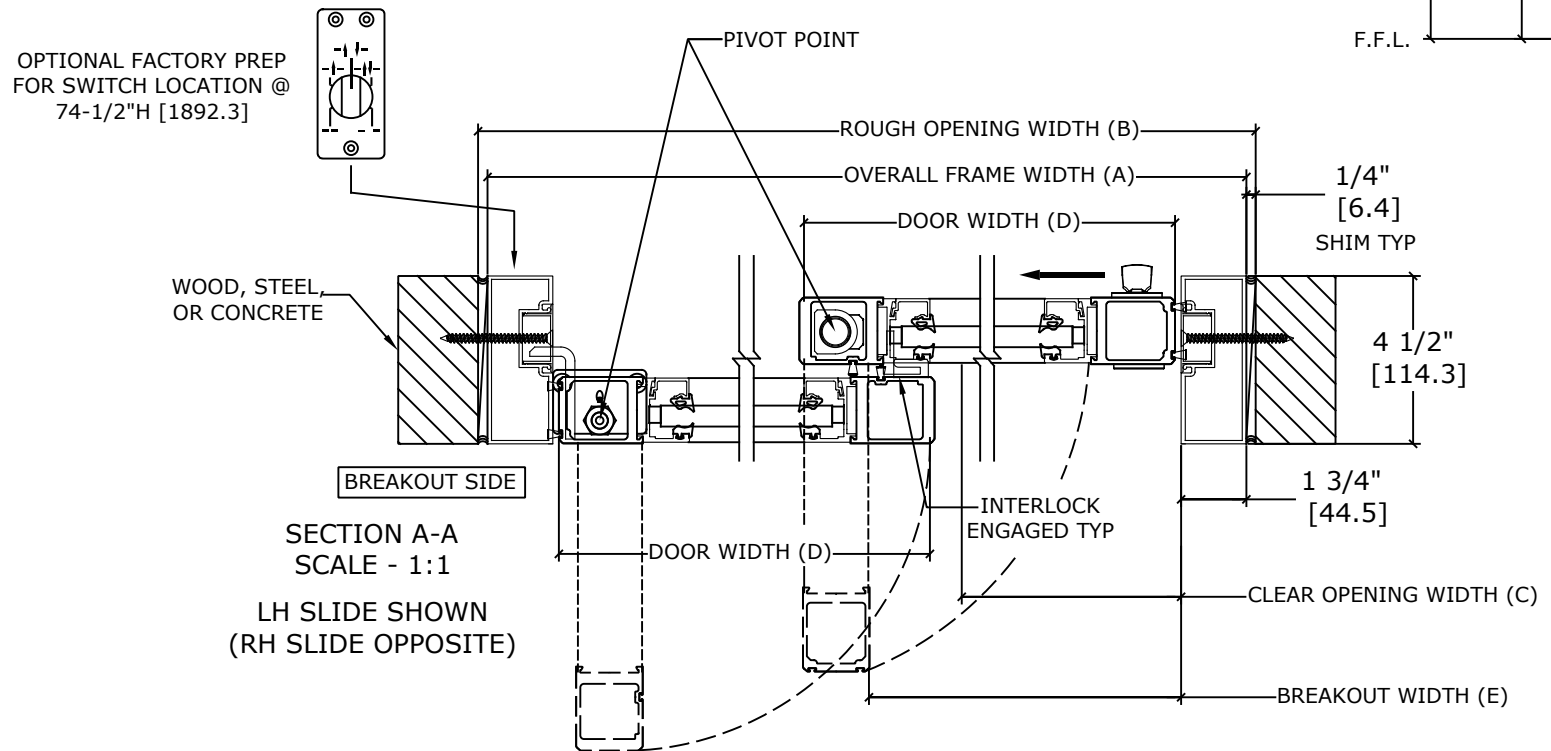
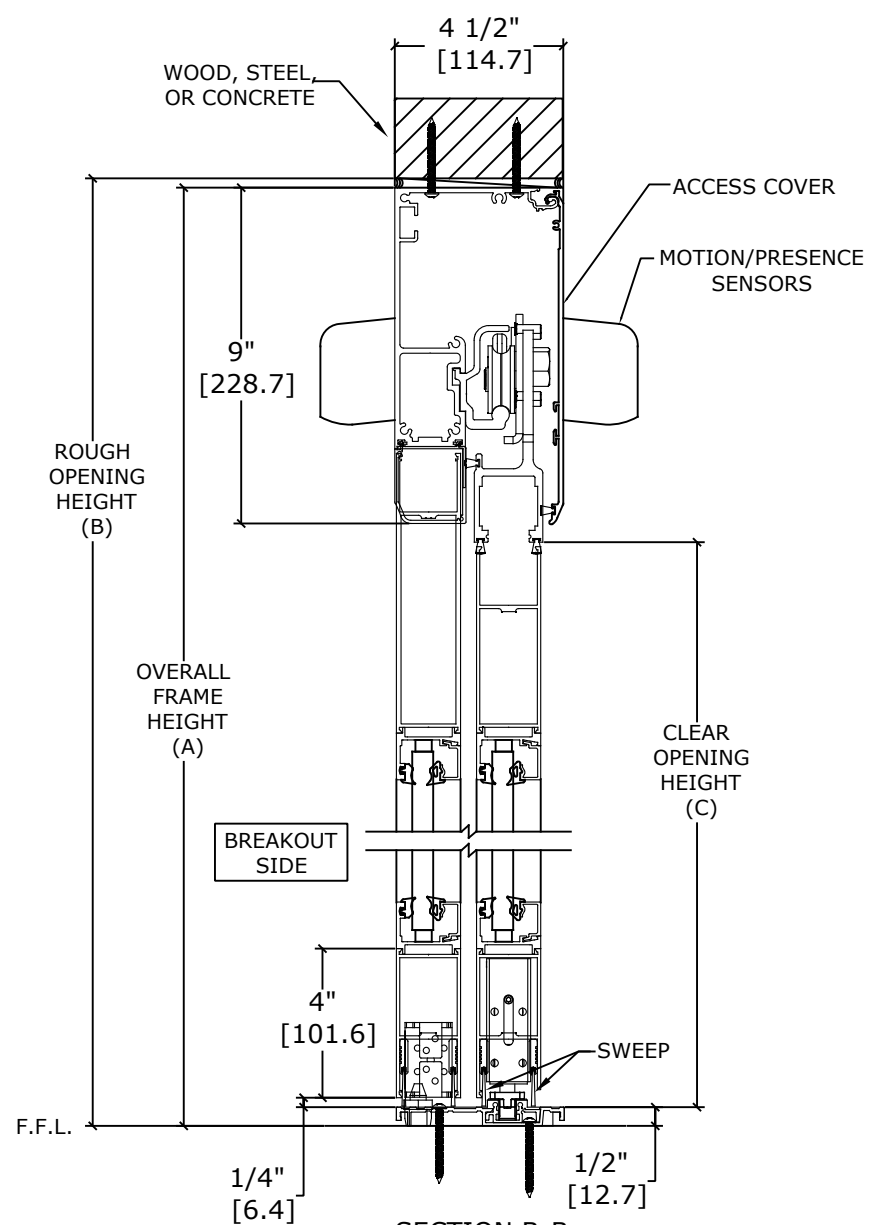


DS-20H-1-FB-I
Hurricane, Overhead Concealed, Narrow Stile, Full Breakout, Single Slide
Large & Small Missile Impact - Level D



FLOOR MUST BE WITHIN 1/8" OF LEVEL
ALONG OVERALL FRAME WIDTH.
OPENING NOT TO BE CONCAVE.



	OFW (A)	ROUGH OPENING (B)	CLEAR OPENING (C)	DOOR WIDTH (D)	BREAKOUT WIDTH (E)
AT MAX WIDTH	102" [2590.8]	102 1/2" [2603.5]	43 1/8" [10195.4]	50 7/8" [1292.2]	47 1/2" [1206.5]
WIDTH FORMULA	B - 1/2" B - [12.7]	A + 1/2" A + [12.7]	A/2 - 7 7/8" A/2 - [22.2]	A/2 - 1/4" A/2 - [6.35]	A - 10" A - [254.0]
AT MAX HEIGHT	96" [2438.4]	96 1/4" [2444.75]	86" [2184.4]		
HEIGHT FORMULA	B - 1/4" B - [6.35]	A + 1/4" A + [6.35]	A - 10" A - [254.0]		

GLASS FORMULA: OFW /2 - 5 5/8[142.9] X OFH -20 1/2 [520.70]

NOTES:

- STANDARD PACKAGE CONSISTS OF:
- STANDARD FINISH: CLASS 1, .018MM, CLEAR- AA-M12C22A41 CLASS 1, .018MM, DARK BRONZE- AA-M12C22A44
 - AUTOMATIC OPERATOR
 - NARROW STILE RAILS
 - THRESHOLD
 - 3-POINT LOCK WITH LOCK INDICATOR
 - 9/16" GLASS STOPS AND BLOCKS
 - 1/4" HS - .090" DUPONT SENTRYGLAS PLUS® - 1/4" HS
 - DRY GLAZED
 - MOTION/PRESENCE SENSORS
 - 5-POSITION KNOB SWITCH
 - BALL CATCH
 - DUAL CONCEALED SWEEPS IN SX & SO PANELS
 - 4" BOTTOM RAILS

OPTIONS AVAILABLE:

- SPECIAL FINISHES
- PANIC EXIT DEVICE
- THRESHOLD LEAD-UP
- RECESSED THRESHOLD
- TRUE DIVIDED MUNTINS
- 7"/10" BOTTOM RAILS
- MEDIUM STILES
- CRASH BARS

FOR MAXIMUM CURRENT DRAW, SEE PRODUCT SPECIFICATION, INSTALLATION INSTRUCTIONS, OR THE UL LABEL ON THE EQUIPMENT.

TEST PROTOCOLS: TAS 201, TAS 202 & TAS 203
FLORIDA PRODUCT APPROVAL # FL33056

REFER TO RELEVANT [LOCAL, STATE, NATIONAL, OR AHJ] BUILDING CODE FOR MIN DOOR HEIGHT & MIN/MAX WIDTH ALLOWABLE FOR EGRESS REQUIREMENT IN CONJUNCTION WITH TABLE.

DESIGN PRESSURE RATING	
WHERE WATER INFILTRATION REQUIREMENT IS NEEDED	WHERE WATER INFILTRATION REQUIREMENT IS NOT NEEDED
NOT APPROVED	+/- 75 PSF

DWG NO.

DRN BY	DATE	CHK BY	DATE	REV.	DATE
SJF	8/27/20			0.1	8/30/20

SECTION NO. SHEET NO.

ENTREMATI DS20H 5