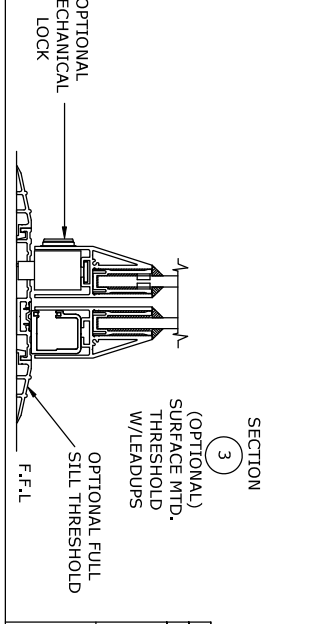
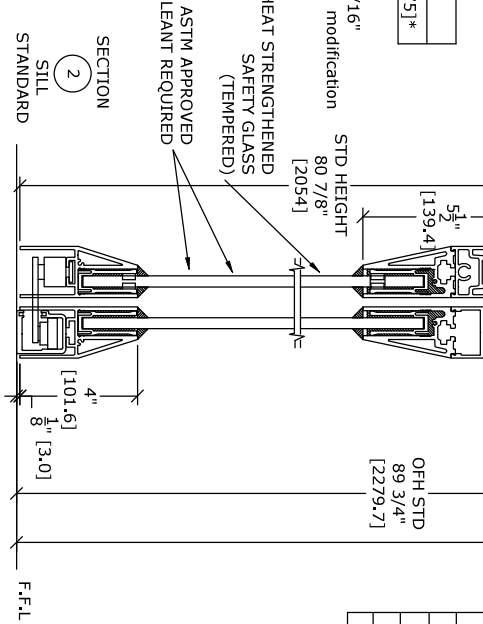
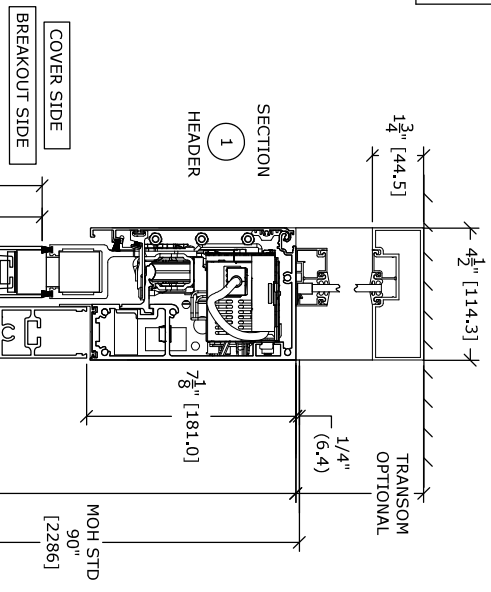
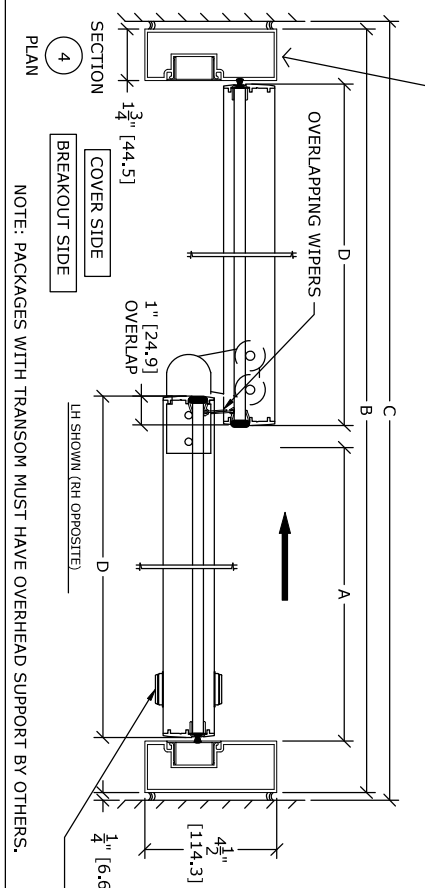
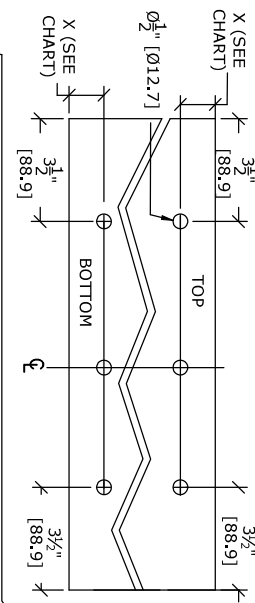
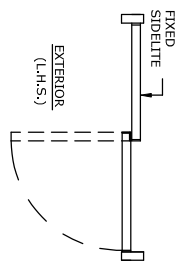


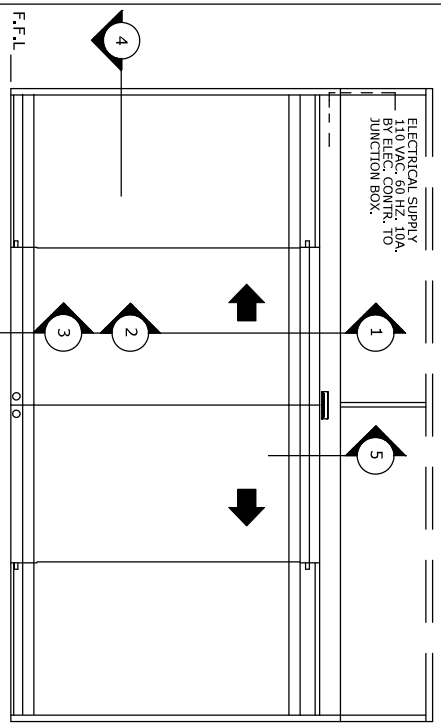
GLASS WIDTH	X
1/2"	1 1/4" [31.75]*



NOTE: THE STANDARD PACKAGE CONSISTS OF: THE AUTOMATIC OPERATOR & WEATHERSTRIP, FRAMES, DOORS & SIDELITES WITH VERTICAL WEATHERSTRIP, EMERGENCY BREAKAWAY OPERATIONAL POSITION SWITCHES, (DIGITAL (3 OR 5) OR KEY (5)), (OFF-EXIT ONLY)-AUTO-REDUCED OPENING-HOLD OPEN OR, OFF, AUTO, HOLD OPEN) AND MOTION/PRESENCE SENSORS. LOCKING DEVICES ARE AVAILABLE AS AN OPTIONAL EXTRA. MANUAL AS SHOWN, MOUNTED IN BOTTOM OF ACTIVE LEAF, OR AUTOMATIC (NOT SHOWN), MOUNTED IN OPERATOR HEADER. STANDARD FINISH: CLEAR-AA-H12C2244, CLASS 1, .018 MM. DARK BRONZE-AA-H12C2244, CLASS 1, .018 MM. SPECIAL FINISHES ARE AVAILABLE. THIS PACKAGE WILL ACCEPT 1/2" HEAT STRENGTHENED SAFETY GLASS. NOTE DRAWING IS DIMENSIONED IN BOTH ENGLISH AND METRIC REF: AS FOLLOWS 1" (25.4) ALL METRIC SIZES ARE MILLIMETERS. *FOR MAXIMUM CURRENT DRAW PER OPERATOR, SEE PRODUCT SPECIFICATION, INSTALLATION INSTRUCTIONS, OR THE UL LABEL ON THE EQUIPMENT. REFER TO RELEVANT (LOCAL, STATE, NATIONAL OR AHJ) BUILDING CODE FOR MIN DOOR HEIGHT & MIN/MAX WIDTH ALLOWABLE FOR EGRESS REQUIREMENT IN CONJUNCTION WITH TABLE BELOW.

OPW	DOOR OPENING	OVERALL FRAME WIDTH	MASONRY OPENING WIDTH	ACTIVE & SIDELITE LEAF WIDTH
	A	B	C	D
7	34 3/16" (868.4)	84" (2133.6)	84 1/2" (2146.3)	40 5/8" (1031.9)
8	40 3/16" (96.6)	96" (2438.4)	96 1/2" (2446.3)	46 5/8" (1184.3)
8-6	43 3/16" (109.2)	102" (2590.8)	102 1/2" (2603.5)	49 5/8" (1260.5)
KEY	B/2-7 13/16 (398.4)	C-1/2" (12.7)	B+1/2" (12.7)	B/2-1 3/8 (34.9)



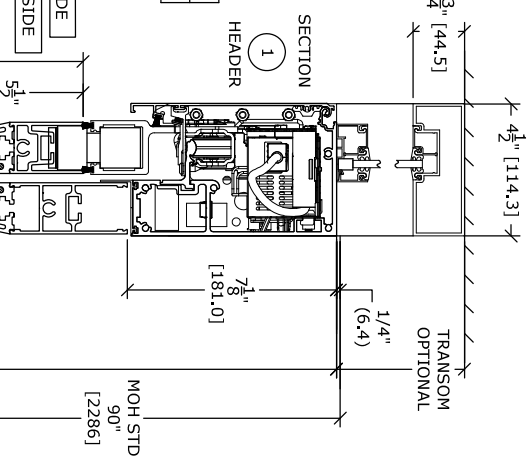


EXTERIOR ELEVATION
 ACTIVE LEAF GLASS PREP

TRANSOM FRAMING
 OPTIONAL

GLASS WIDTH	X
	1 1/4" [31.75]*
	1/2"

COVER SIDE
 BREAKOUT SIDE

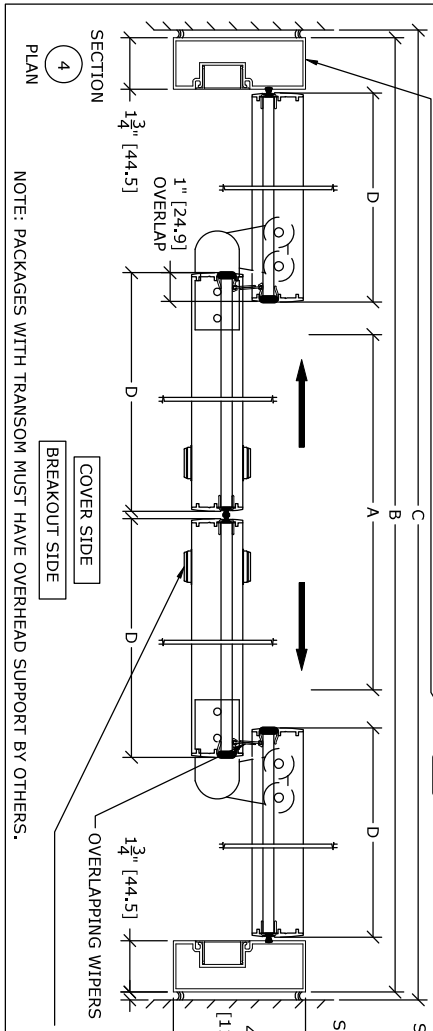


SECTION 1
 HEADER

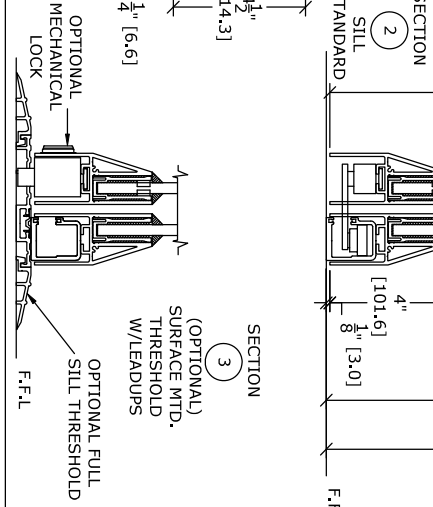
* Hole Placement to be within 1/16"
 * Dowell surface may require modification

Optional Factory Prep
 Switch Location @
 74-1/2" H

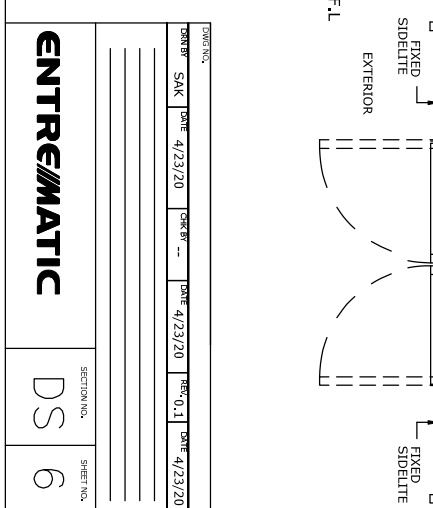
HEAT STRENGTHENED
 SAFETY GLASS
 (TEMPERED)
 ASTM APPROVED
 SEALEANT REQUIRED
 BY OTHERS



SECTION 2
 SILL
 STANDARD



SECTION 3
 (OPTIONAL)
 SURFACE MTD.
 THRESHOLD
 W/LEADUPS

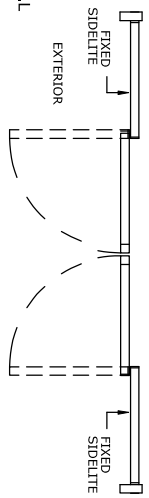


SECTION 4
 BREAKOUT SIDE

NOTE: PACKAGES WITH TRANSOM MUST HAVE OVERHEAD SUPPORT BY OTHERS.

NOTE: THE STANDARD PACKAGE CONSISTS OF:
 THE AUTOMATIC OPERATOR & WEATHERSTRIP, FRAMES, DOORS &
 SIDELITES WITH VERTICAL WEATHERSTRIP, EMERGENCY BREAKAWAY
 OPERATIONAL POSITION SWITCHES (DIGITAL (3) OR S) OR KEY (5)),
 (OFF-EXT ONLY) AUTO-REDUCED OPENING-HOLD OPEN OR
 (OFF-AUTO, HOLD OPEN) AND MOTION/PRESSENCE SENSORS.
 LOCKING DEVICES ARE AVAILABLE AS AN OPTIONAL EXTRA.
 MANUAL AS SHOWN, MOUNTED IN BOTTOM OF ACTIVE LEAF,
 OR AUTOMATIC (NOT SHOWN), MOUNTED IN OPERATOR HEADER.
 STANDARD FINISH: CLEAR-AA-M12C22441, CLASS 1, .018 MM.
 DARK BRONZE-AA-M12C22444, CLASS 1, .018 MM.
 SPECIAL FINISHES ARE AVAILABLE.
 THIS PACKAGE WILL ACCEPT 1/2" HEAT STRENGTHENED SAFETY GLASS.
 NOTE DRAWING IS DIMENSIONED IN BOTH ENGLISH AND METRIC
 REF. AS FOLLOWS 1" (25.4) ALL METRIC SIZES ARE MILLIMETERS.
 * FOR MAXIMUM CURRENT DRAW PER OPERATOR, SEE PRODUCT
 SPECIFICATION, INSTALLATION INSTRUCTIONS, OR THE UL
 LABEL ON THE EQUIPMENT.
 REFER TO RELEVANT LOCAL, STATE, NATIONAL OR AHD) BUILDING CODE FOR
 MINIMUM DOOR & WINDOW WITHDRAWAL HEIGHT
 FOR EGRESS REQUIREMENT IN CONJUNCTION WITH TABLE BELOW.

OPW	DOOR OPENING A	OVERALL HEIGHT WIDTH B	MASONRY OPENING WIDTH C	ACTIVE & SIDELITE LEAF WIDTH D
10	46 1/8" (1171.6)	130" (3304)	130 1/2" (3306.2)	39 1/2" (749.3)
12	58 1/8" (1476.4)	144" (3657.6)	144 1/2" (3670.3)	35 1/2" (901.7)
14	70 1/8" (1781.2)	168" (4270.8)	168 1/2" (4279.9)	41 1/2" (1054.1)
16	82 1/8" (2098.9)	192" (4878.8)	192 1/2" (4893.5)	47 1/2" (1206.5)
KEY	B/2+1" (352.4) (17.2)	192" (4878.8)	192 1/2" (4893.5)	47 1/2" (1206.5)



ENTRE/MATIC

SECTION NO. DS 6
 SHEET NO.

DATE	4/23/20	DATE	4/23/20
SAK	...	SAK	...
DATE	4/23/20	DATE	4/23/20
SAK	...	SAK	...