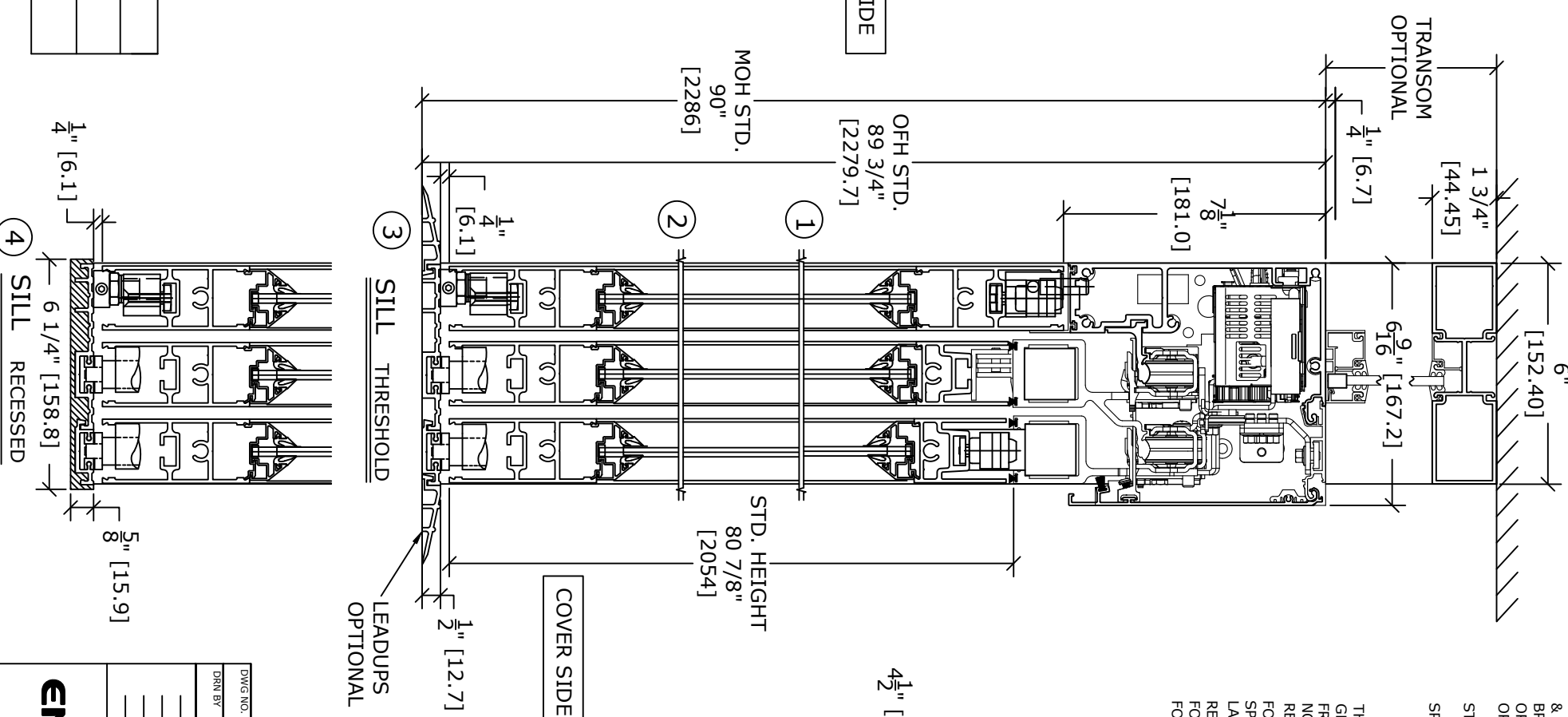


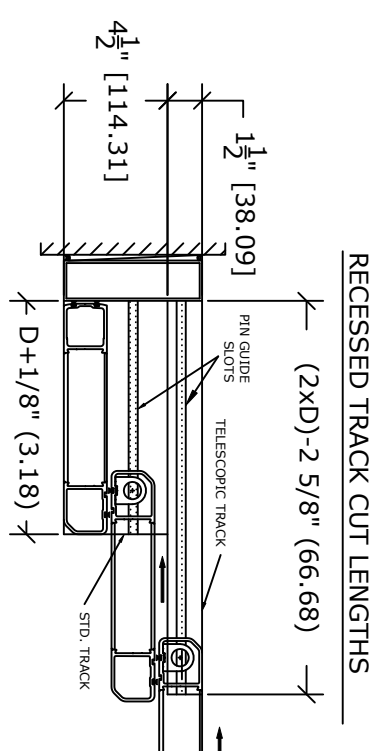
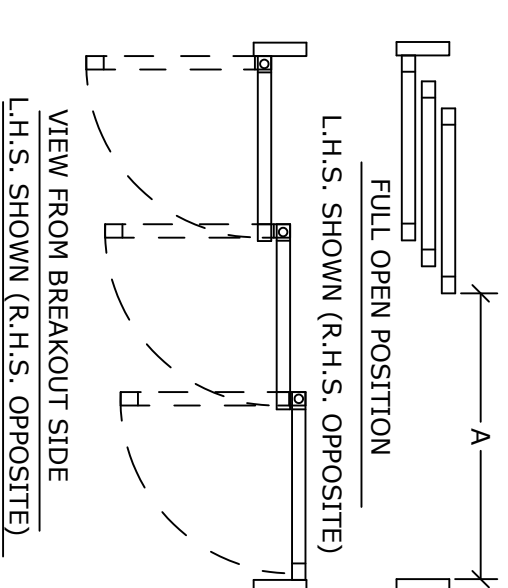
| DS20 OHC | DOOR OPENING A | OVERALL FRAME WIDTH B | MASONRY OPENING WIDTH C | ACTIVE & SIDELITE LEAF WIDTH D & E |
|----------|-------------------|-----------------------|-------------------------|------------------------------------|
| 6' | 36 7/16" (925.5) | 72" (1828.8) | 72 1/2" (1841.5) | 24 9/16" (623.9) |
| 7' | 44 7/16" (1128.7) | 84" (2133.6) | 84 1/2" (2146.3) | 28 9/16" (725.5) |
| 8' | 52 7/16" (1331.9) | 96" (2438.4) | 96 1/2" (2451.1) | 32 9/16" (827.1) |
| 9' | 60 7/16" (1535.1) | 108" (2743.2) | 108 1/2" (2755.9) | 36 9/16" (928.7) |
| 10' | 68 7/16" (1738.3) | 120" (3048) | 120 1/2" (3060.7) | 40 9/16" (1030.3) |
| 11' | 76 7/16" (1941.5) | 132" (3352.8) | 132 1/2" (3365.5) | 44 9/16" (1131.9) |
| 12' | 84 7/16" (2144.7) | 144" (3657.6) | 144 1/2" (3670.3) | 48 9/16" (1233.5) |
| KEY | (2B/3)-(293.7) | (C-1/2") | (B+1/2") | (B/3)+(14.3) |

| STD. GLASS SIZE KEY* | |
|----------------------|----------------|
| WIDTH - "D" & "D" | (B/3)-4 1/4" |
| WIDTH - "E" | (B/3)-(107.95) |
| HEIGHT | (B/3)-4 3/8" |
| | (B/3)-(111.13) |
| | OFH-15 7/8" |
| | OFH-(403.2) |

* NARROW STILE RAILS W/ 1/4" GUTTER, NO MUNTINS



| | | | | | | | | | | | |
|---|-----|------|--------|--------|-----|------|-------|-----|-----|------|-------|
| DWG. NO. | SAK | DATE | 8/3/20 | CHK BY | --- | DATE | -/-/- | REV | 0.2 | DATE | -/-/- |
| <p>ENTRE/MATIC</p> <p>SECTION NO. DS SHEET NO. 9</p> | | | | | | | | | | | |



NOTE: THE STANDARD PACKAGE CONSISTS OF: THE AUTOMATIC OPERATOR & WEATHERSTRIP, FRAMES, DOORS & SIDELITES WITH VERTICAL WEATHERSTRIP, EMERGENCY BREAKAWAY 2-POINT LOCK, OPTIONAL POSITION SWITCHES (DIGITAL 3 OR 5) OR KEY (5)), (OFF-EXIT ONLY-AUTO-REDUCED OPENING-HOLD OPEN OR OFF, AUTO, HOLD OPEN), MOTION/PRESENCE SENSORS.

STANDARD FINISH: CLEAR-AA-M12C22A41, CLASS 1, .018 MM. DARK BRONZE-AA-M12C22A44, CLASS 1, .018 MM. SPECIAL FINISHES ARE AVAILABLE.

THIS PACKAGE WILL ACCEPT UP TO 1"(25.4) INSULATED GLASS. GLASS OVER 1/4" WILL REQUIRE THE HEADER TO BE SUPPORTED FROM ABOVE. NOTE DRAWING IS DIMENSIONED IN BOTH ENGLISH AND METRIC REF. AS FOLLOWS 1" (25.4) ALL METRIC SIZES ARE MILLIMETERS. FOR MAXIMUM CURRENT DRAW PER OPERATOR, SEE PRODUCT SPECIFICATION, INSTALLATION INSTRUCTIONS, OR THE UL LABEL ON THE EQUIPMENT. REFER TO RELEVANT (LOCAL, STATE, NATIONAL OR AHJ) BUILDING CODE FOR MIN DOOR HEIGHT & MIN/MAX WIDTH ALLOWABLE FOR EGRESS REQUIREMENT IN CONJUNCTION WITH TABLE BELOW.