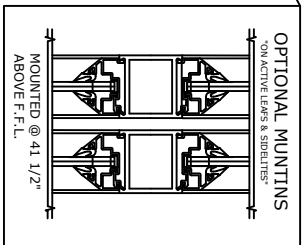
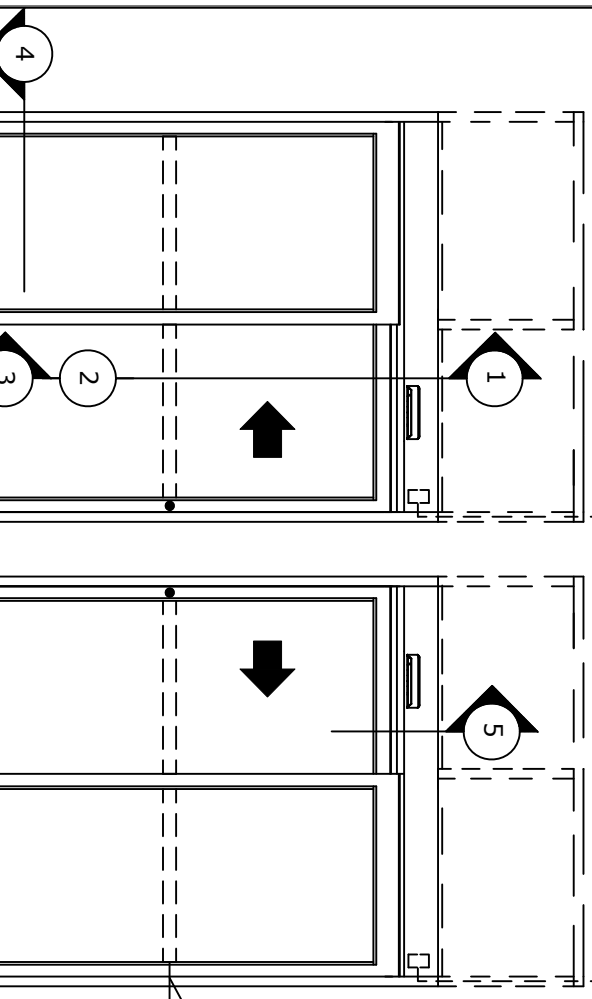
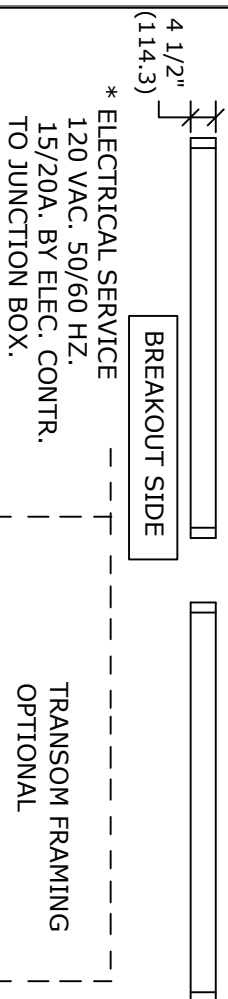


DS-20-1-FBO

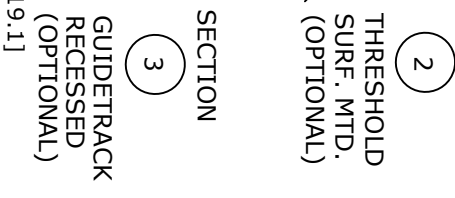
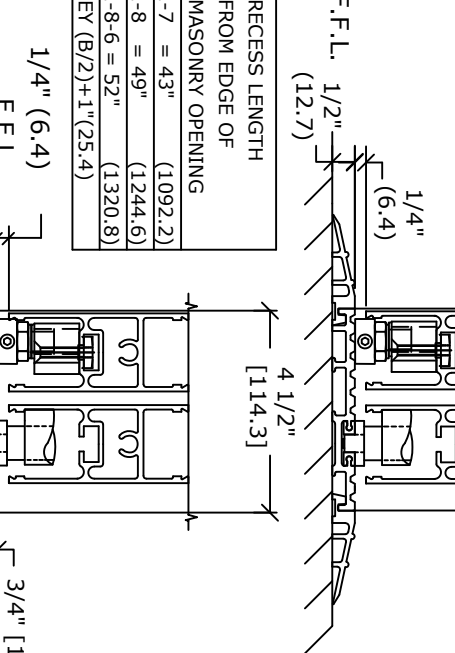
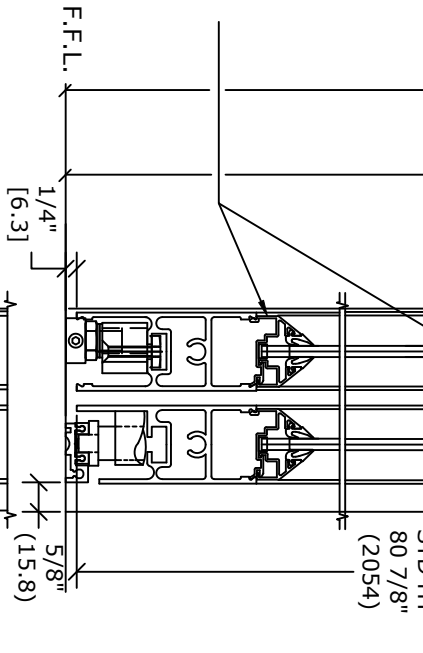
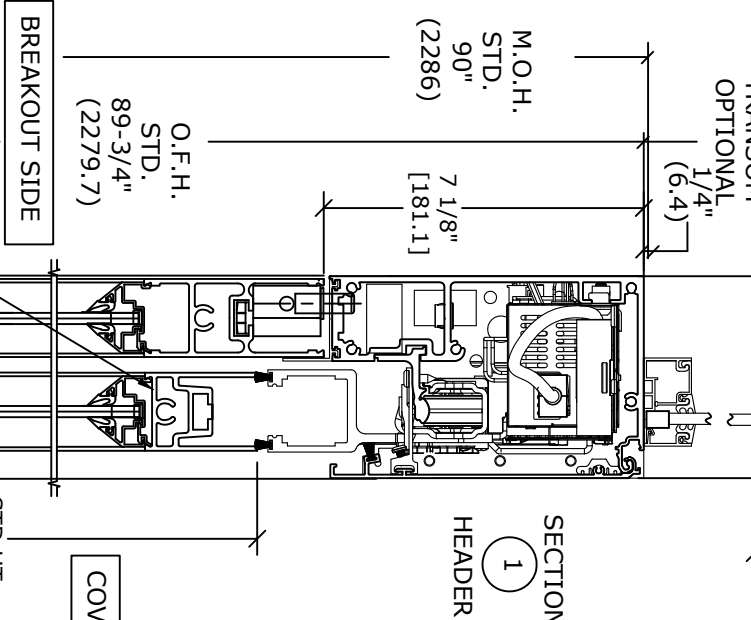
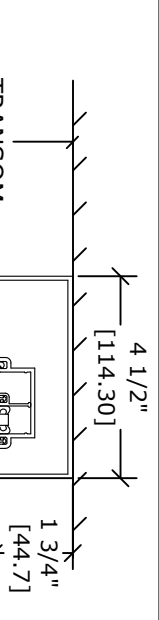
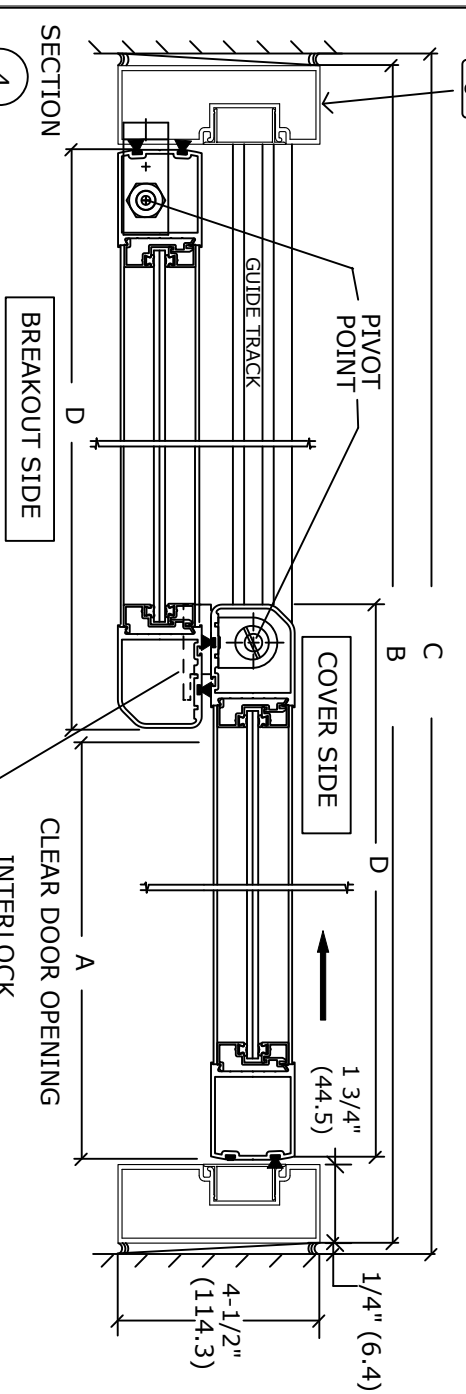
OVERHEAD CONCEALED FULL BREAKOUT
NARROW STILE SINGLE SLIDE DOOR SYSTEM

COVER SIDE

BREAKOUT SIDE



NON REMOVABLE
SECURITY TYPE
GLAZING BEAD
SYSTEM (TYP.)
1/4" SLOPED STD.
(6.4)



RECESS LENGTH FROM EDGE OF MASONRY OPENING	OC1-7 = 43"	OC1-8 = 49"	OC1-8-6 = 52"	KEY (B/2)+1" (25.4)
	(1092.2)	(1244.6)	(1320.8)	

NOTE: THE STANDARD PACKAGE CONSISTS OF:
THE AUTOMATIC OPERATOR & WEATHERSTRIP. FRAMES, DOORS & SIDELITES WITH VERTICAL WEATHERSTRIP, EMERGENCY BREAKAWAY & I-POINT LOCK, OPTIONAL POSITION SWITCHES (DIGITAL (3 OR 5) OR KEY (5)), (OFF-EXIT ONLY-AUTO-REDUCED OPENING-HOLD OPEN, OR OFF, AUTO, HOLD OPEN), MOTION/PRESENCE SENSORS, OPTIONAL 6" JAMBS. STANDARD FINISH: CLEAR-AA-M12C22A41, CLASS 1, .018 MM. DARK BRONZE-AA-M12C22A44, CLASS 1, .018 MM SPECIAL FINISHES ARE AVAILABLE.

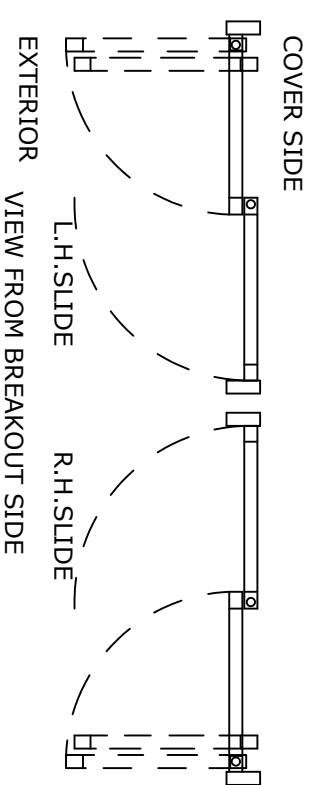
THIS PACKAGE WILL ACCEPT UP TO 1"(25.4) INSULATED GLASS IN THE SIDELITES AND ACTIVE LEAVES. PLEASE INDICATE IF SO DESIRED.

NOTE DRAWING IS DIMENSIONED IN BOTH ENGLISH AND METRIC REF. AS FOLLOWS 1" (25.4) ALL METRIC SIZES ARE MILLIMETERS.
* FOR MAXIMUM CURRENT DRAW PER OPERATOR, SEE PRODUCT SPECIFICATION, INSTALLATION INSTRUCTIONS, OR THE UL LABEL ON THE EQUIPMENT.
REFER TO RELEVANT (LOCAL, STATE, NATIONAL OR AHJ) BUILDING CODE FOR MIN DOOR HEIGHT & MIN/MAX WIDTH ALLOWABLE FOR EGRESS REQUIREMENT IN CONJUNCTION WITH TABLE BELOW.

DS20 OHC	DOOR OPENING A	OVERALL FRAME WIDTH B	MASONRY OPENING WIDTH C	ACTIVE & SIDELITE LEAF WIDTH D
OC1-7	35 1/4" (895.4)	84" (2133.6)	84 1/2" (2146.3)	41 1/2" (1054.1)
OC1-8	41 1/4" (1047.8)	96" (2438.4)	96 1/2" (2451.1)	47 1/2" (1206.5)
OC1-8-6	44 1/4" (1124)	102" (2590.8)	102 1/2" (2603.5)	50 1/2" (1282.7)
OC1-9	47 1/4" (1200.2)	108" (2743.2)	108 1/2" (2755.9)	53 1/2" (1358.9)
KEY	(B/2)-6 3/4" (C-12.7)	(B+1/2") (B+12.7)	(B+1/2") (B+12.7)	(B/2)-1 7/2" (B/2)-(12.7)

STANDARD GLASS SIZES ARE AS FOLLOWS:

DS20 OHC	WIDTH	HEIGHT
OC1-7	36 5/8" (930.3)	73 7/8" (1876.4)
OC1-8	42 5/8" (1082.7)	73 7/8" (1876.4)
OC1-8-6	45 5/8" (1152.9)	73 7/8" (1876.4)
OC1-9	48 5/8" (1235.1)	73 7/8" (1876.4)
KEY	(B/2)-5 3/8" (B/2)-(136.5)	(B/2)-15 7/8" (B/2)-(403.2)



DATE	04/23/20	CHK BY		DATE	4/23/20	REV	0.1	
DESIGN NO.								
DRAWN BY	SAK						DATE	