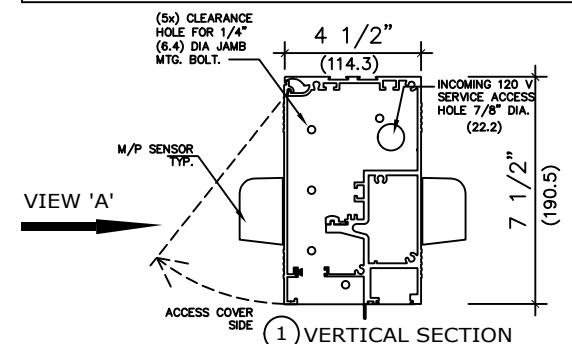


APPLICATION:
WIRING REQUIREMENTS AUTOMATIC SLIDING DOOR SYSTEM.

NOTE:
AUTOMATIC SLIDING DOOR OPERATOR SHALL BE "DS-18" CUL USA APPROVED, CONFORMING TO UL STD. 325 & ANSI-BHMA STD. A156.10 CERTIFIED TO CAN. CSA STD. C22.2#24-93 AS MANUFACTURED BY ENTREMATIC GROUP AB.

NOTE: DRAWING IS DIMENSIONED IN BOTH INCHES & METRIC (mm)

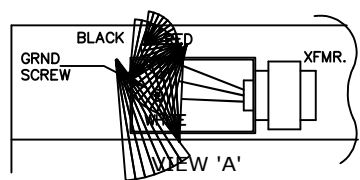
- IMPORTANT NOTES**
- SLIDER HEADER IS FACTORY PREPPED FOR MOUNTING TO JAMBTUBES. FASTENING HARDWARE DEPENDANT UPON MOUNTING SURFACES OR WALL STRUCTURE OF INSTALLATION AREA IS NOT SUPPLIED.
 - ACCESS HOLES ARE LOCATED THROUGH THE END PLATES OF THE HEADER FOR CLEAN CONCEALED LOOK; ALTERNATIVELY THEY CAN BE THROUGH THE TOP OF THE HEADER WITH WIRING RUN THROUGH CODE APPROVED SURFACE CONDUIT.
- ELECTRICAL SERVICE AND ALL HARD WIRING TO BE SUPPLIED BY QUALIFIED PROFESSIONAL CONTRACTOR WITHIN THE GUIDELINES OF THE ENFORCED LOCAL ELECTRICAL CODES.
 - ACCESS HOLES ARE ALWAYS AWAY FROM COVER SIDE OF HEADER TO ENSURE CABLES & WIRING RUNS DO NOT INTERFERE WITH & GET CHAFED BY THE MECHANICS OF THE OPERATOR WITHIN THE HEADER.
 - HIGH VOLTAGE INCOMING POWER & LOW VOLTAGE WIRES CANNOT SHARE THE SAME ACCESS HOLE. HIGH VOLTAGE WIRES MUST BE ROUTED IN CONDUIT & SECURED AWAY FROM ALL LOW VOLTAGE WIRES.
 - IF HEADER IS MOUNTED ON ALUMINUM FRAMING, HIGH & LOW VOLTAGE WIRING CAN BE ROUTED THROUGH VERTICAL & HORIZONTAL TUBES.
 - INCOMING (MAIN) POWER GROUND WIRE CANNOT SHARE THE SAME GROUNDING STUD AS SYSTEM GROUND WIRE. GROUND INCOMING (MAIN) POWER ACCORDINGLY.



DS-18 ELECTRICAL SUPPLY CONNECTION

BLACK = FEED OF SWITCH
WHITE = TO WHITE OF TRANSFORMER
GROUND = TO GROUND SCREW IN SWITCH BOX

RED WIRE IS 100V FEED TO CONTROL BOX
!DO NOT CONNECT SUPPLY VOLTAGE TO RED WIRE!
SUPPLY VOLTAGE = 120VAC.



NOTE:
ENTREMATIC GROUP AB, RESERVES THE RIGHT TO CHANGE & IMPROVE IT'S PRODUCTS & SPECIFICATIONS WITHOUT NOTICE.

ENTREMATIC

TEL. 877-348-6837 (CANADA)
www.ditecentrematic.ca
TEL. 866-901-4284 (USA)
www.ditecentrematic.us

JOB NAME:	SHEET NO. 25
LOCATION:	
DOOR NUMBER:	
SECTION DS	