

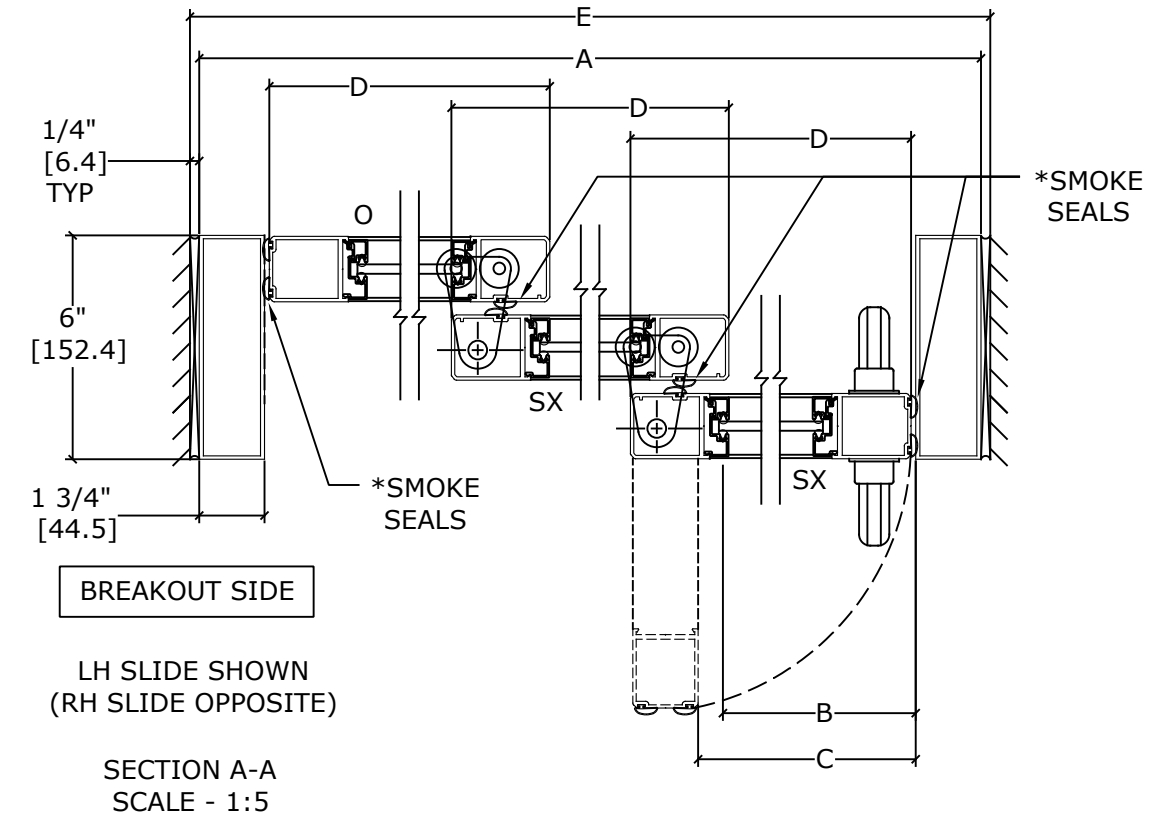
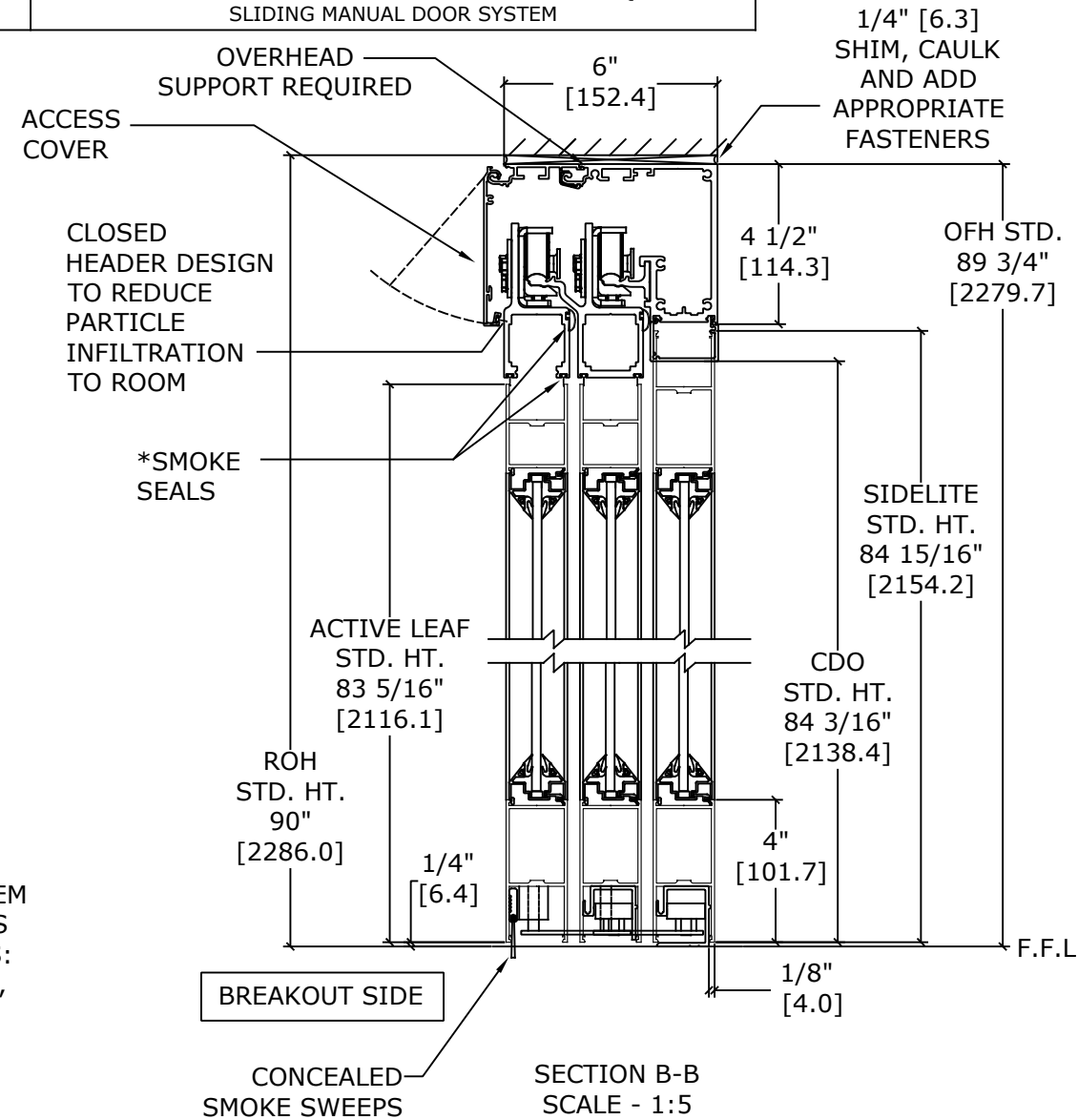
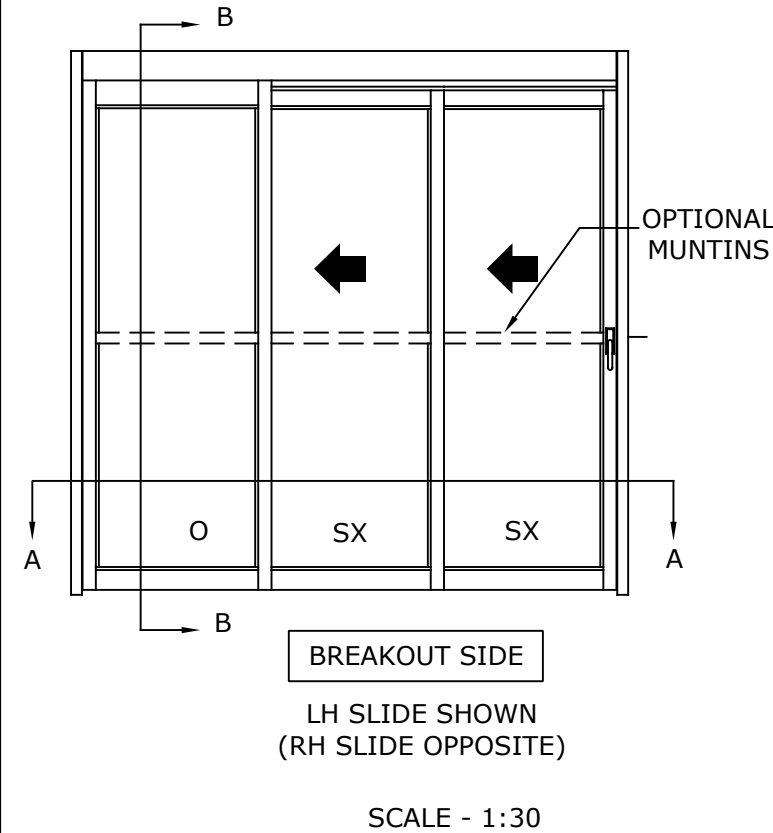
**DS-10-3-TFL-SR**

OVERHEAD CONCEALED FIXED SIDELITE TRACKLESS SINGLE SLIDE  
UL1784 SMOKE CERTIFIED NARROW STILE TELESCOPIC EQUAL PANEL  
SLIDING MANUAL DOOR SYSTEM

DIMENSIONS FOR 1/4" [6.4] GLASS

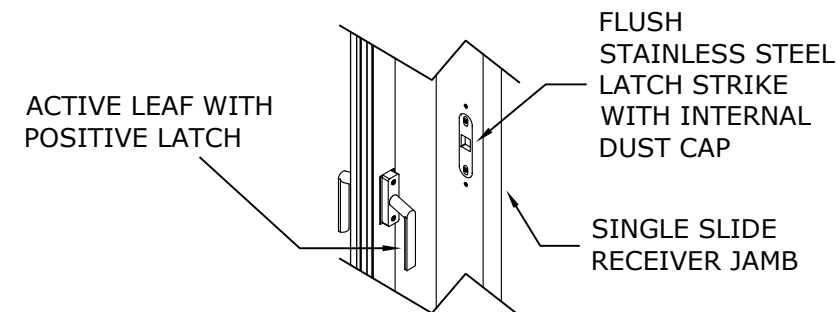
MODEL NO.	OVERALL FRAME WIDTH (A)	CLEAR DOOR OPENING (B)	BREAKOUT OPENING (C)	ACTIVE & SIDELITE LEAF WIDTH (D)	ROUGH OPENING WIDTH (E)
DS10T3FSLT-8	96" [2438.4]	53 3/4" [1365.3]	56 1/4" [1428.8]	32 1/2" [825.5]	96 1/2" [2451.1]
DS10T3FSLT-10	120" [3048.0]	69 3/4" [1771.7]	72 1/4" [1835.2]	40 1/2" [1028.7]	120 1/2" [3060.7]
DS10T3FSLT-12	144" [3657.6]	85 3/4" [2178.1]	88 1/4" [2241.6]	48 1/2" [1231.9]	144 1/2" [3670.3]
KEY:		(2*A/3)-10 1/4" (2*A/3)-[260.4]	(2*A/3)- 7 3/4" (2*A/3)-[196.9]	(A/3)+ 1/2" (A/3)+[12.7]	A+1/2" A+[12.7]

CONSULT FACTORY FOR ALL CUSTOM CONFIGURATION SIZES OR SIZES OVER 12'.



REFER TO RELEVANT [LOCAL, STATE, NATIONAL, OR AHJ] BUILDING CODE FOR MIN DOOR HEIGHT & MIN/MAX WIDTH ALLOWABLE FOR EGRESS REQUIREMENT IN CONJUNCTION WITH TABLE.

DWG NO.					
DRN BY	SS	DATE	8/27/20	CHK BY	DATE
					REV. 0.1 DATE 8/30/20
				SECTION NO.	SHEET NO.
<b>ENTREMATI</b>				<b>DS10</b>	<b>10</b>



\* SEALS: FACTORY APPLIED SEALS USED ON THIS SYSTEM TO SLOW OR RESTRICT PASSAGE OF SMOKE COMPLIES TO ONE OR MORE OF THE FOLLOWING REQUIREMENTS: UL1784, ANSI/NFPA105 2007, UBC7-2, PART11, B5476, UL10B, UL10C, UBC7-2 PART 1 & B5476.

**NOTES:**

STANDARD PACKAGE CONSISTS OF:

- STANDARD FINISH: CLASS 1, .018MM, CLEAR- AA-M12C22A41
- NARROW STILE RAILS
- 1/4" GLASS STOPS AND BLOCKS
- NURSE ASSIST MAGNETIC CATCHES
- POSITIVE LATCHING
- CONCEALED SWEEPS
- SMOKE RATED SEALS

OPTIONS AVAILABLE:

- SPECIAL FINISHES
- PACKAGE WILL ACCEPT , 5/8" [15.9], 1" [25.4] & 1 1/4" [31.8] GLASS
- 7" & 10" BOTTOM RAILS
- 1" WIDE JAMBS
- MUNTINS
- SELF-CLOSING
- MAGNETIC HOLD OPEN
- AL DAMPENER
- ANTI-STATIC
- CENTERING WHEEL
- TRACK PACKAGE
- FULL CLOSING DAMPENING DEVICE