

AUTOMATIC SLIDING DOOR OPERATOR SHALL BE "DS-18" CUL USA APPROVED, CONFORMING TO UL STD. 325 & ANSI-BHMA STD. A156.10 CERTIFIED TO CAN. CSA STD. C22.2#24-93 AS MANUFACTURED BY ENTREMATIc GROUP AB.

STANDARD FINISH: ANODIZED, CLEAR; DARK BRONZE; SPECIAL FINISHES ARE AVAILABLE

APPLICATION:
TELESCOPIC FULL BREAKOUT RIGHT HAND,
AUTOMATIC SLIDING DOOR SYSTEM.

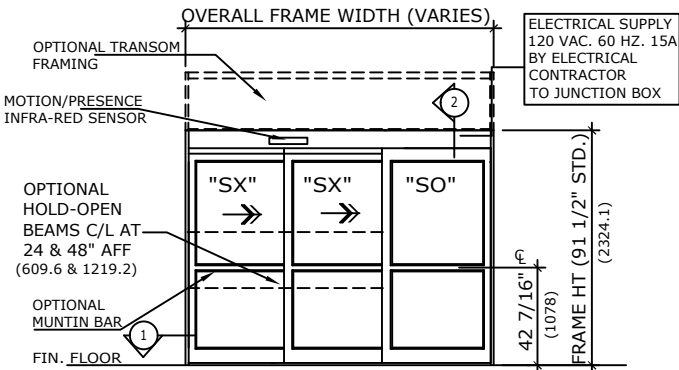
UNIT DESCRIPTION

DITEC

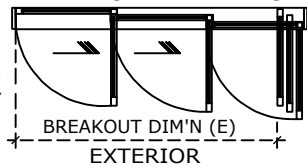
SX-SX-SO: OVERHEAD CONCEALED TELESCOPIC RIGHT HAND FULL BREAKOUT SLIDE DOOR SYSTEM, NARROW STILE DOORS. STD. PACKAGE SHALL INCLUDE AUTOMATIC OPERATOR, FRAME AND DOORS WITH MUNTIN, BOTTOM RAILS WITH CONCEALED SWEEP, BRUSH-PILE WEATHER STRIPPING, EMERGENCY BREAKAWAY, MS LOCK, GLAZING STOPS FOR TEMPERED GLASS, BOTTOM GUIDE SYSTEM SHALL BE PART OF FULL WIDTH THRESHOLD, 3-POSITION SWITCH AND MOTION/PRESENCE SENSORS.

SIZE	OVERALL FRAME WIDTH A	ROUGH OPENING B	EQUAL PANELS C	NET DOOR OPENING D	BREAK OUT DIM'N. E
72"	72" (1828.8)	72 1/2" (1841.5)	24 11/16" (627)	36 1/4" (920.8)	59" (1498.6)
84"	84" (2133.6)	84 1/2" (2146.3)	28 11/16" (728.6)	44 1/4" (1124)	71" (1803.4)
96"	96" (2438.4)	96 1/2" (2451.1)	32 11/16" (830.2)	52 1/4" (1327.2)	83" (2108.2)
108"	108" (2743.2)	108 1/2" (2755.9)	36 11/16" (931.8)	60 1/4" (1530.4)	95" (2413)
KEY INCHES KEY (mm)	[B-1/2] (B-12.7)	[A+1/2] (A+12.7)	[A/3+11/16] (A/3+17.4)	2[A/3-5/8] (A/3-149.2)	[A-13] (A-330.2)

NOTE: DRAWING IS DIMENSIONED IN BOTH INCHES & METRIC (mm)

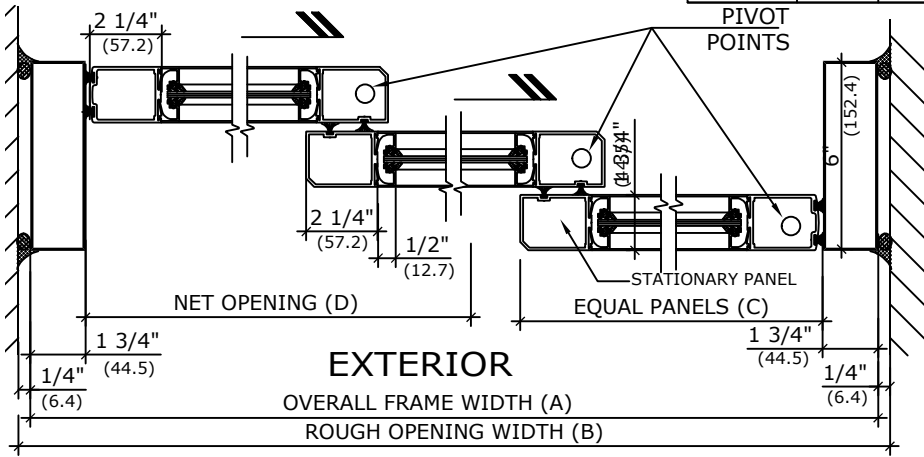


EXTERIOR ELEVATION



BREAKOUT DIM'N (E)

EMERGENCY BREAKAWAY PLAN VIEW



EXTERIOR

OVERALL FRAME WIDTH (A)

ROUGH OPENING WIDTH (B)

NET OPENING (D)

EQUAL PANELS (C)

STATIONARY PANEL

EQUAL PANELS (C)

1 3/4" (44.5)

1 3/4" (44.5)

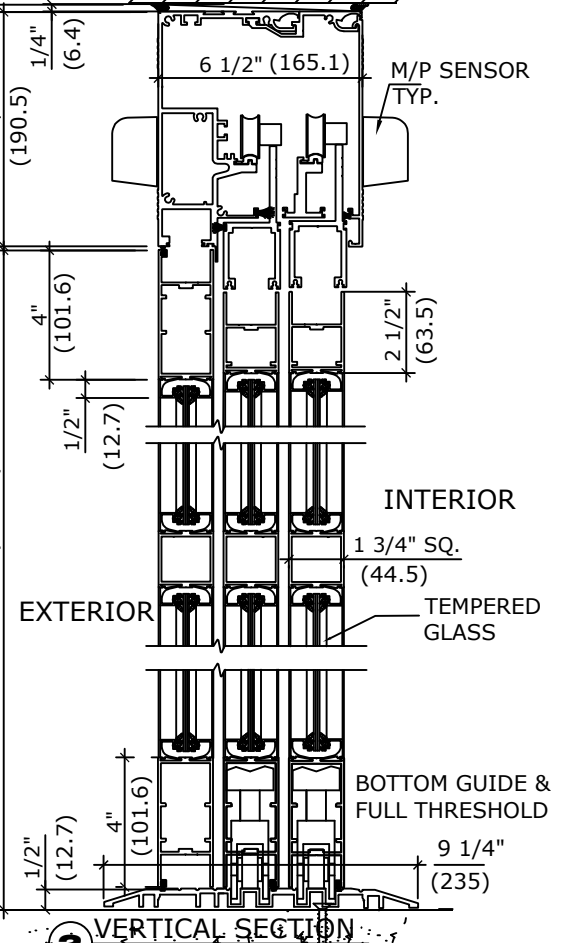
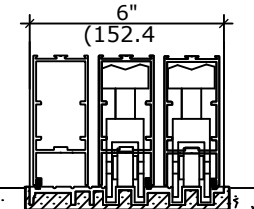
1/4" (6.4)

1/4" (6.4)

1/4" (6.4)

1/4" (6.4)

RECESSED GUIDE (OPTION)



INTERIOR

1 3/4" SQ. (44.5)

TEMPERED GLASS

BOTTOM GUIDE & FULL THRESHOLD

9 1/4" (235)

VERTICAL SECTION

1 HORIZONTAL SECTION

REFER TO RELEVANT (LOCAL, STATE, NATIONAL OR AHJ) BUILDING CODE FOR MIN DOOR HEIGHT & MIN/MAX WIDTH ALLOWABLE FOR EGRESS REQUIREMENT.
NOTE:
ENTREMATIc GROUP AB, RESERVES THE RIGHT TO CHANGE & IMPROVE IT'S PRODUCTS & SPECIFICATIONS WITHOUT NOTICE.

ENTREMATIc

TEL. 877-348-6837 (CANADA)
www.ditecentrematic.ca
TEL. 866-901-4284 (USA)
www.ditecentrematic.us

SHEET TITLE:			SHEET NO. 17
ARCHITECT:			
CONTRACTOR:			SECTION DS
SCALE:	DRAWN BY:	DATE:	