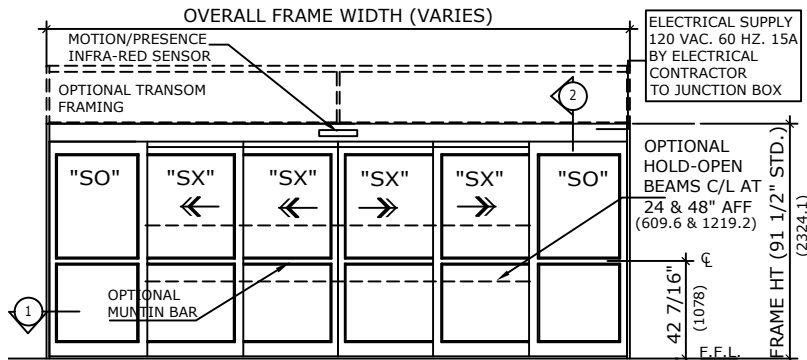


**APPLICATION:**  
TELESCOPIC FULL BREAKOUT BI-PART,  
AUTOMATIC SLIDING DOOR SYSTEM.

AUTOMATIC SLIDING DOOR OPERATOR SHALL BE "DS18"  
CUL USA APPROVED, CONFORMING TO UL STD. 325 &  
ANSI-BHMA STD. A156.10 CERTIFIED TO CAN. CSA STD.  
C22.2#24-93 AS MANUFACTURED BY ENTREMATIC GROUP  
AB.

STANDARD FINISH: ANODIZED, CLEAR; DARK BRONZE;  
SPECIAL FINISHES ARE AVAILABLE

NOTE: DRAWING IS DIMENSIONED IN BOTH INCHES & METRIC (mm)

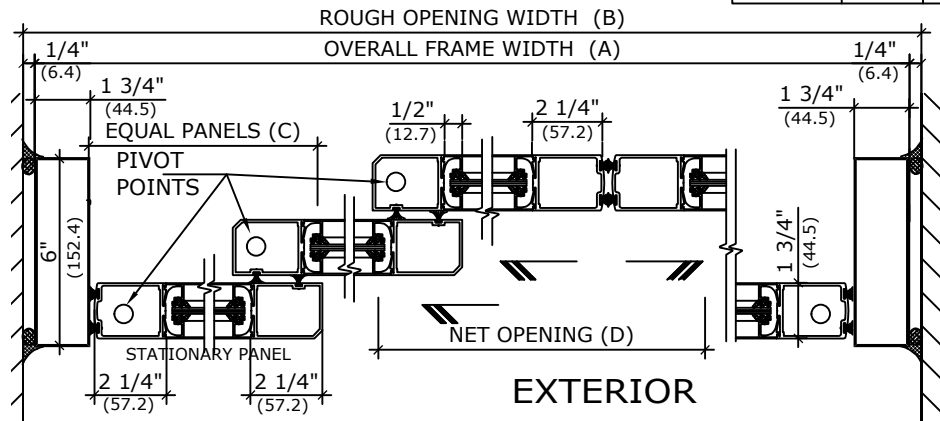
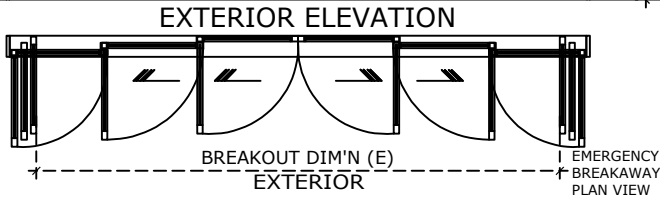


**UNIT DESCRIPTION**

**DITEC**

SO-SX-SX-SX-SX-SO : OVERHEAD CONCEALED TELESCOPIC  
FULL BREAKOUT SLIDE DOOR SYSTEM, NARROW STILE DOORS.  
PACKAGE SHALL INCLUDE AUTOMATIC OPERATOR, FRAME AND DOORS  
WITH MUNTINS, BOTTOM RAILS WITH CONCEALED SWEEPS,  
BRUSH-PILE WEATHER STRIPPING, EMERGENCY BREAKAWAY, MS LOCK,  
GLAZING STOPS FOR TEMPERED GLASS, BOTTOM GUIDE  
BOTTOM SHALL BE PART OF FULL WIDTH THRESHOLD, 3-POSITION  
SWITCH & MOTION/PRESENCE SENSORS ON BOTH SIDES OF UNIT.

SIZE	OVERALL FRAME WIDTH A	ROUGH OPENING B	EQUAL PANELS C	NET DOOR D OPENING	BREAK OUT E DIM'N.
120"	120" (3048)	120 1/2" (3060.7)	21 1/4" (539.8)	58 3/4" (1492.3)	97 1/2" (2476.5)
144"	144" (3657.6)	144 1/2" (3670.3)	25 1/4" (641.4)	74 3/4" (1898.7)	121 1/2" (3086.1)
168"	168" (4267.2)	168 1/2" (4279.9)	29 1/4" (743)	90 3/4" (2305.1)	145 1/2" (3695.7)
192"	192" (4876.8)	192 1/2" (4889.5)	33 1/4" (844.6)	106 3/4" (2711.5)	169 1/2" (4305.3)
KEY INCHES	[B-1/2]	[A+1/2]	[A/6+1 1/4]	[2A/3-21 1/4]	[A-22 1/2]
KEY (mm)	(B-12.7)	(A+12.7)	(A/6+31.8)	(2A/3-539.8)	(A-572)

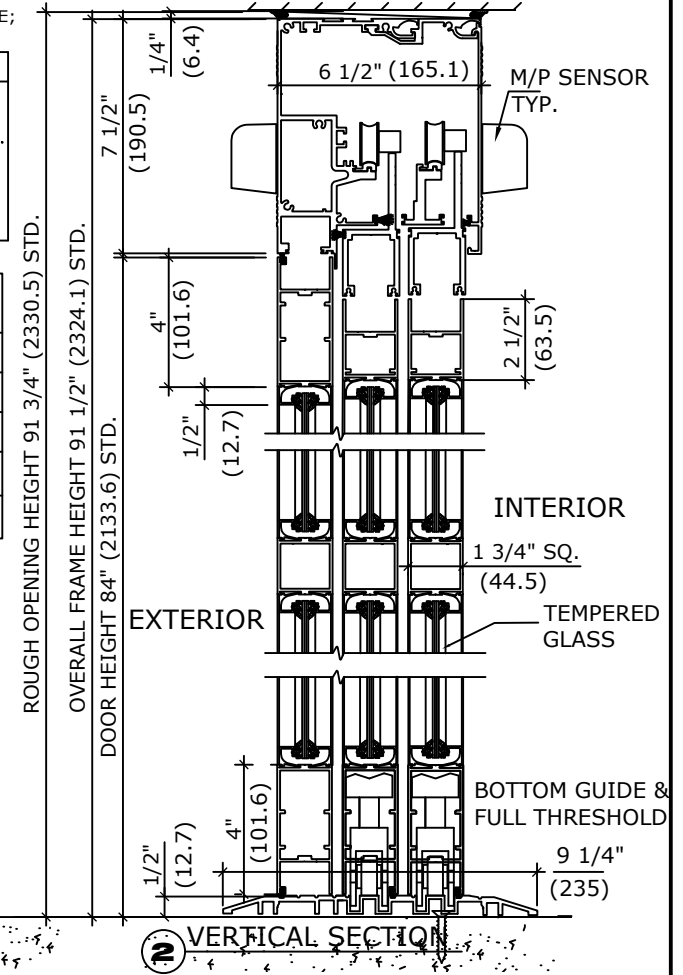


**1** HORIZONTAL SECTION

REFER TO RELEVANT (LOCAL, STATE, NATIONAL OR AHJ) BUILDING CODE FOR  
MIN DOOR HEIGHT & MIN/MAX WIDTH ALLOWABLE FOR EGRESS REQUIREMENT.  
NOTE:  
ENTREMATIC GROUP AB, RESERVES THE RIGHT TO  
CHANGE & IMPROVE IT'S PRODUCTS & SPECIFICATIONS  
WITHOUT NOTICE.

**ENTREMATIC**

TEL. 877-348-6837 (CANADA)  
www.ditecentrematic.ca  
TEL. 866-901-4284 (USA)  
www.ditecentrematic.us



SHEET TITLE:			SHEET NO. <b>18</b>
ARCHITECT:			
CONTRACTOR:			SECTION <b>DS</b>
SCALE:	DRAWN BY:	DATE:	