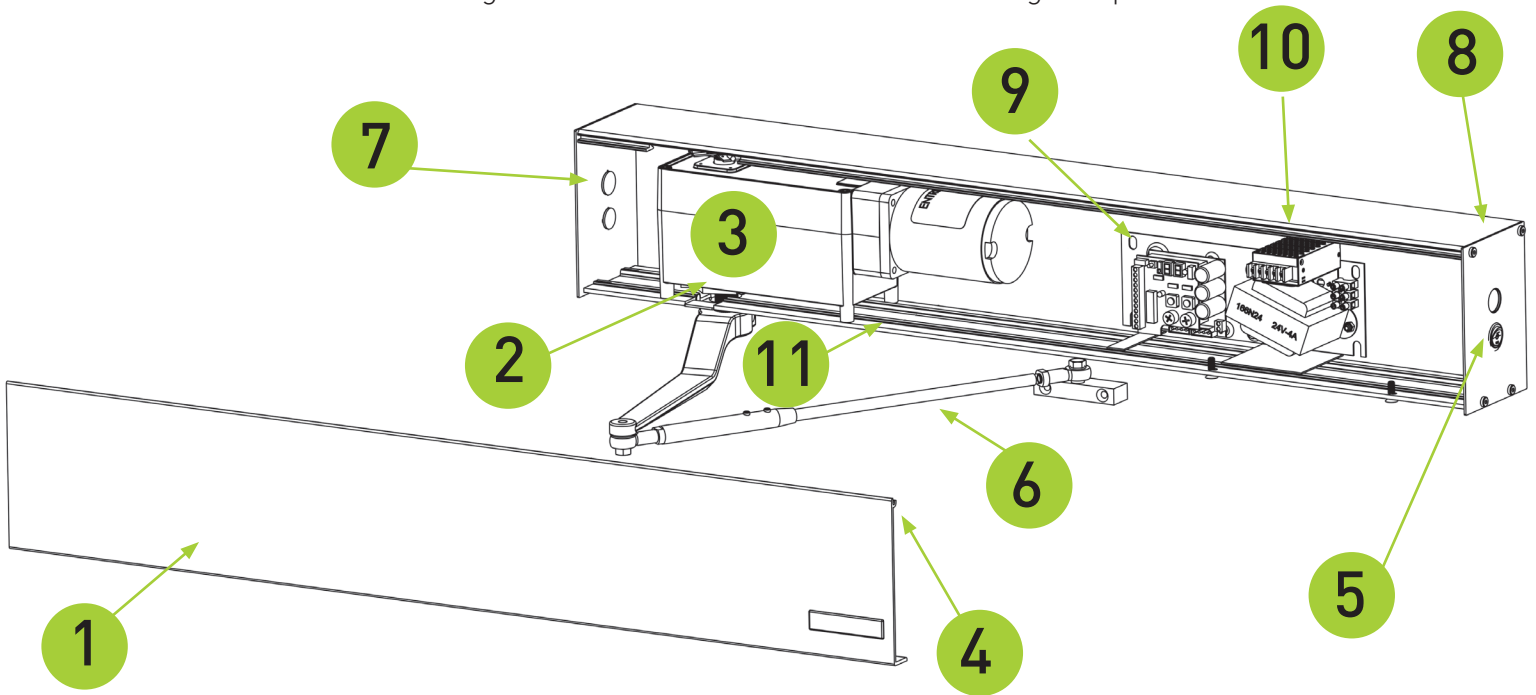


Features & Benefits of the new Ditec HA8-SP

1. Redesigned smooth header for clean, modern look
2. Redesigned gears for improved efficiency
3. Closed motor gearbox for cleaner environment, appearance and quieter operation
4. Interlocking flip-up cover
5. Lower profile on-off-hold open switch can be mounted on either side for easy accessibility
6. Uses existing Ditec arm package (push, pull, universal)
7. New electrical knock-outs incorporated on end caps
8. Header length can be easily cut in the field
9. Includes the new digital control board with universal mounting bracket (launched April 2017)
10. Optional 24 vdc 1.1 amp power supply kit
11. Increased surface area along the bottom of the header for mounting components



Entrematic Canada Inc.
221A Racco Pkwy. | Vaughan, ON L4J 8XN
Tel: 877.348.6837 | Fax: 416.674.8882
www.ditecentrematic.ca

Entrematic USA Inc.
1900 Airport Rd. | Monroe, NC 28110
Tel: 866.901.4284 | Fax: 704.919.5014
www.ditecentrematic.us

