

**DITEC HA7 - LOW ENERGY  
SURFACE APPLIED  
SWING DOOR OPERATOR  
" PUSH APPLICATION "**

**NOTE:** THE STANDARD PACKAGE CONSISTS OF:  
THE AUTOMATIC OPERATOR, CONTROLLER, POWER SUPPLY, POWER SUPPLY HOLDER, PUSH ARM, SPINDLE COVERS, HOLD/AUTO/OFF SWITCH, SMART DEVICE OPERATION VIA APP (DEVICE BY OTHERS), ELECTRONIC & MECHANICAL LOCK KICK. SMART DEVICE DIAGNOSTICS & STATISTICS VIA APP (DEVICE BY OTHERS) STANDARD FINISH: CLEAR OR DARK BRONZE

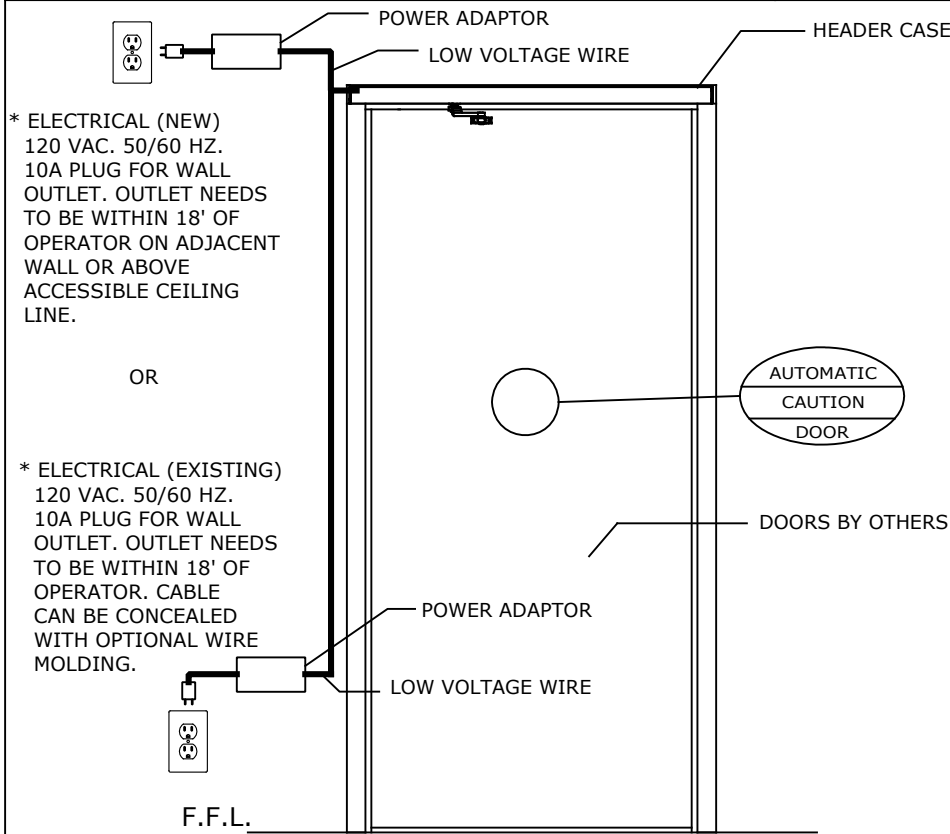
- OPTIONS:
- REMOTE POWER BOX ADAPTOR KIT, CONCEALED IN CEILING OR FLUSH MOUNTED IN WALL. CUT SHEET AA-61
  - SURFACE MOUNTED WIRE MOLD
  - DOOR MOUNTED APPROACH SIDE SAFETY SENSOR
  - WAVE OR PRESS ACTIVATION PLATES (PLATES CAN BE CONCEALED INTO WALL OR SURFACE MOUNTED WITH WATER RESISTANT PLASTIC ENCLOSURE)
  - ELECTRIC STRIKE TO RELEASE DOOR LATCH (IF EQUIPPED)

**AUTOMATIC :-**  
ACTIVATE THE DOOR BY HANDICAPPED WAVE/PRESS PLATE AND THE DOOR WILL SLOWLY POWER OPEN, TIME OUT, AND SLOWLY CLOSE.

**PUSH ACTIVATION :- (OPTIONAL)**  
PUSH OR PULL THE DOOR AND IT WILL SLOWLY POWER OPEN, TIME OUT, AND SLOWLY CLOSE.

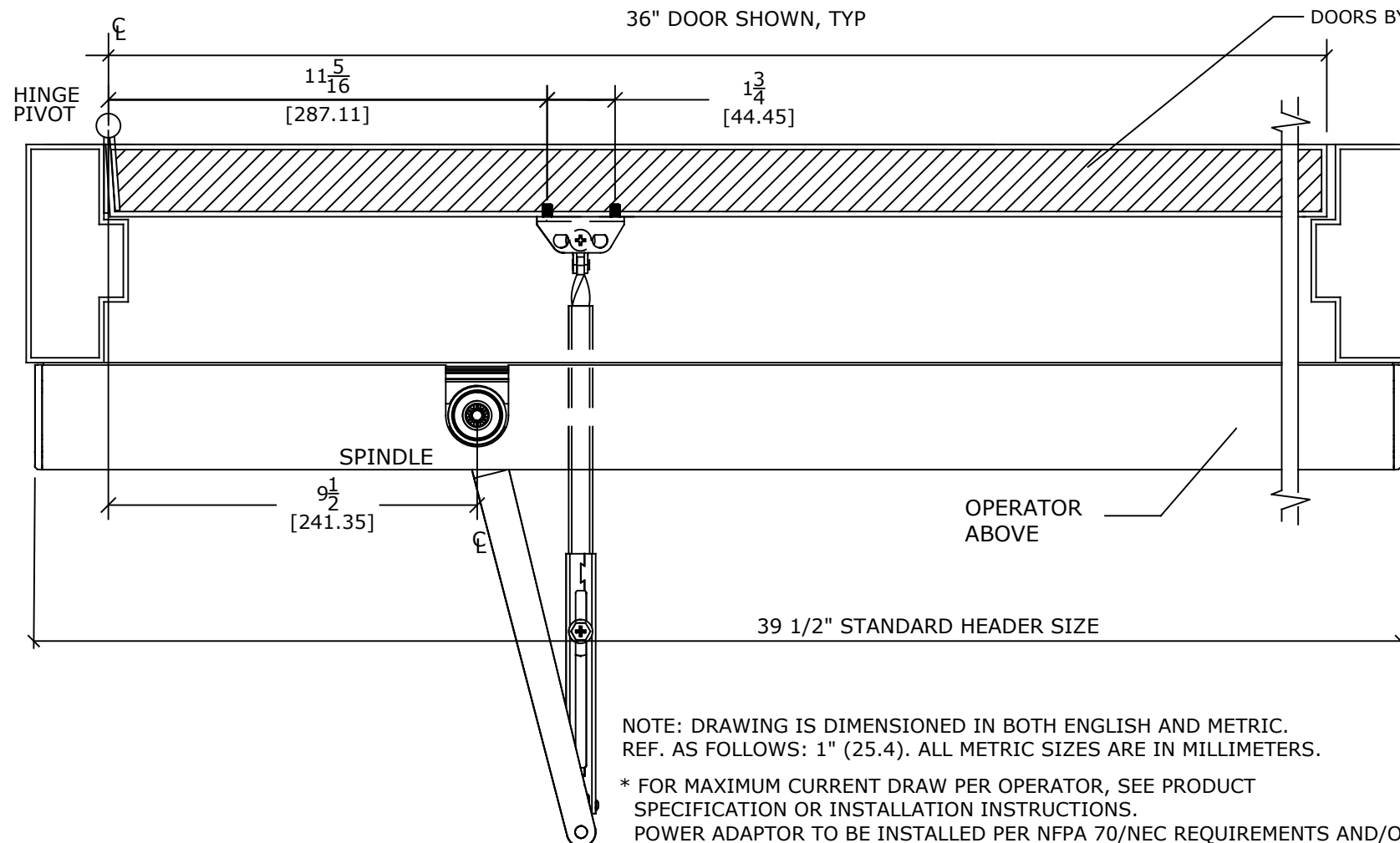
**NOTE :** OPERATIONAL ADJUSTMENTS TO BE IN ACCORDANCE WITH ANSI/BHMA A156.19 STANDARD. FOR LOW ENERGY POWER OPERATED DOORS.

**NOTE :** WAVE/PRESS PLATE ACTIVATION TO BE LOCATED WITHIN VIEW OF THE DOOR. REFERENCE ANSI A156.19 FOR FURTHER DETAILS.



LH PUSH SHOWN (RH OPPOSITE)

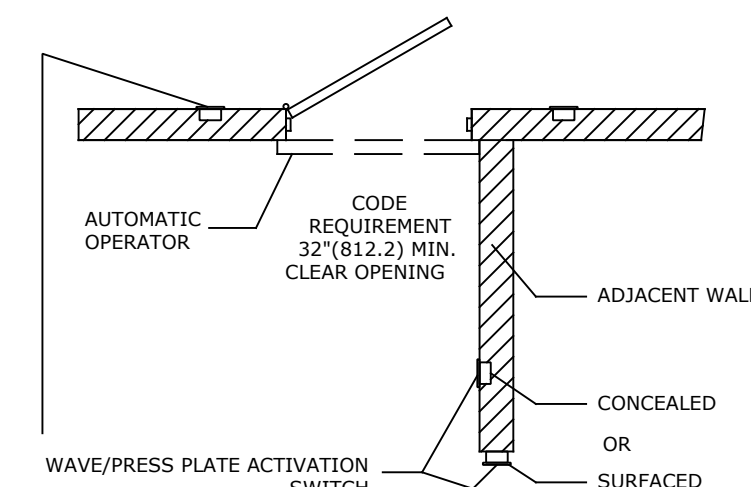
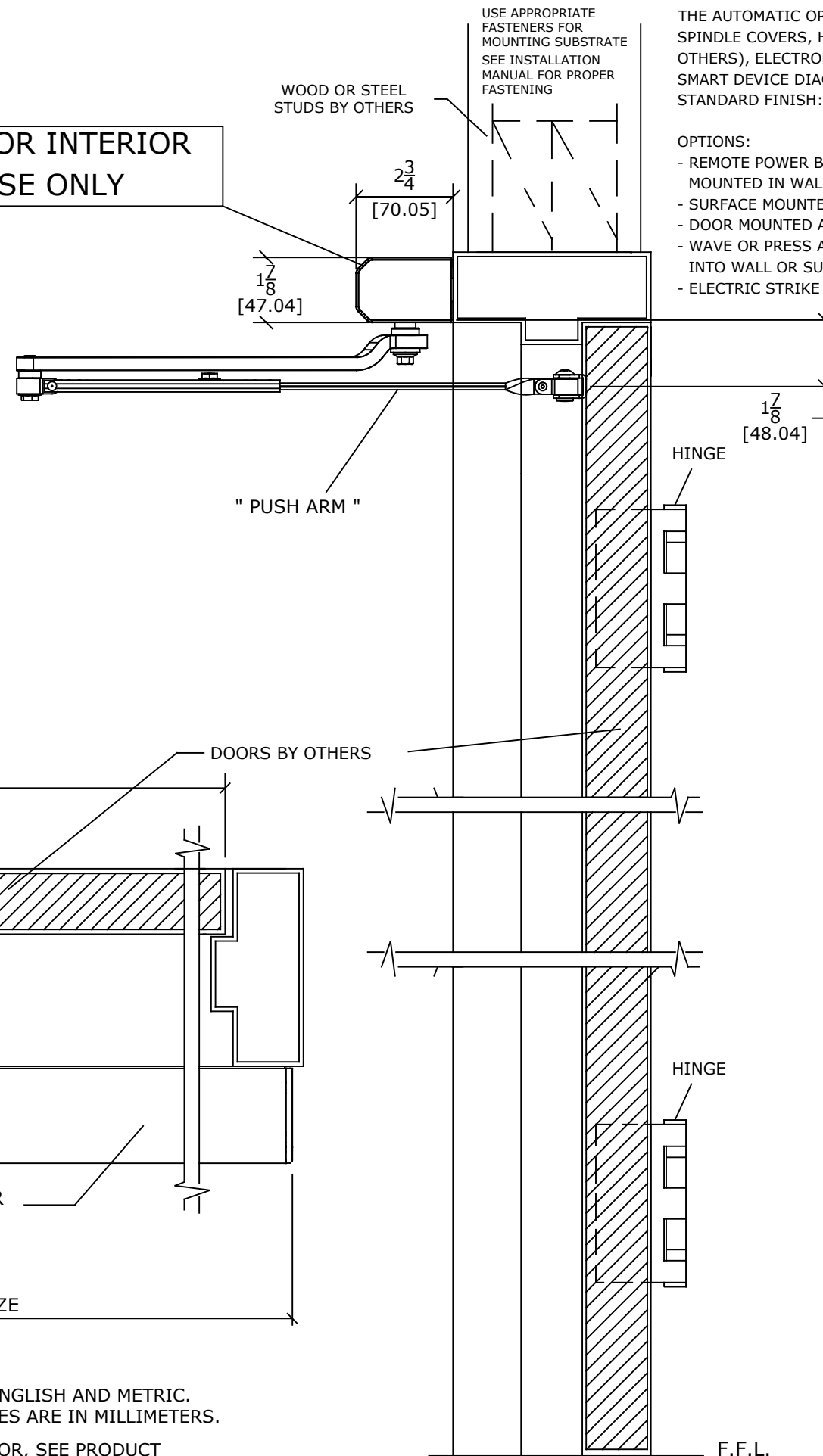
36" DOOR SHOWN, TYP



NOTE: DRAWING IS DIMENSIONED IN BOTH ENGLISH AND METRIC. REF. AS FOLLOWS: 1" (25.4). ALL METRIC SIZES ARE IN MILLIMETERS.

\* FOR MAXIMUM CURRENT DRAW PER OPERATOR, SEE PRODUCT SPECIFICATION OR INSTALLATION INSTRUCTIONS.  
POWER ADAPTOR TO BE INSTALLED PER NFPA 70/NEC REQUIREMENTS AND/OR AHJ

FOR INTERIOR USE ONLY



DWG NO.	1021475
DRN BY	SS
DATE	7/23/20
CHK BY	
DATE	
REV.	1.0
DATE	7/23/20