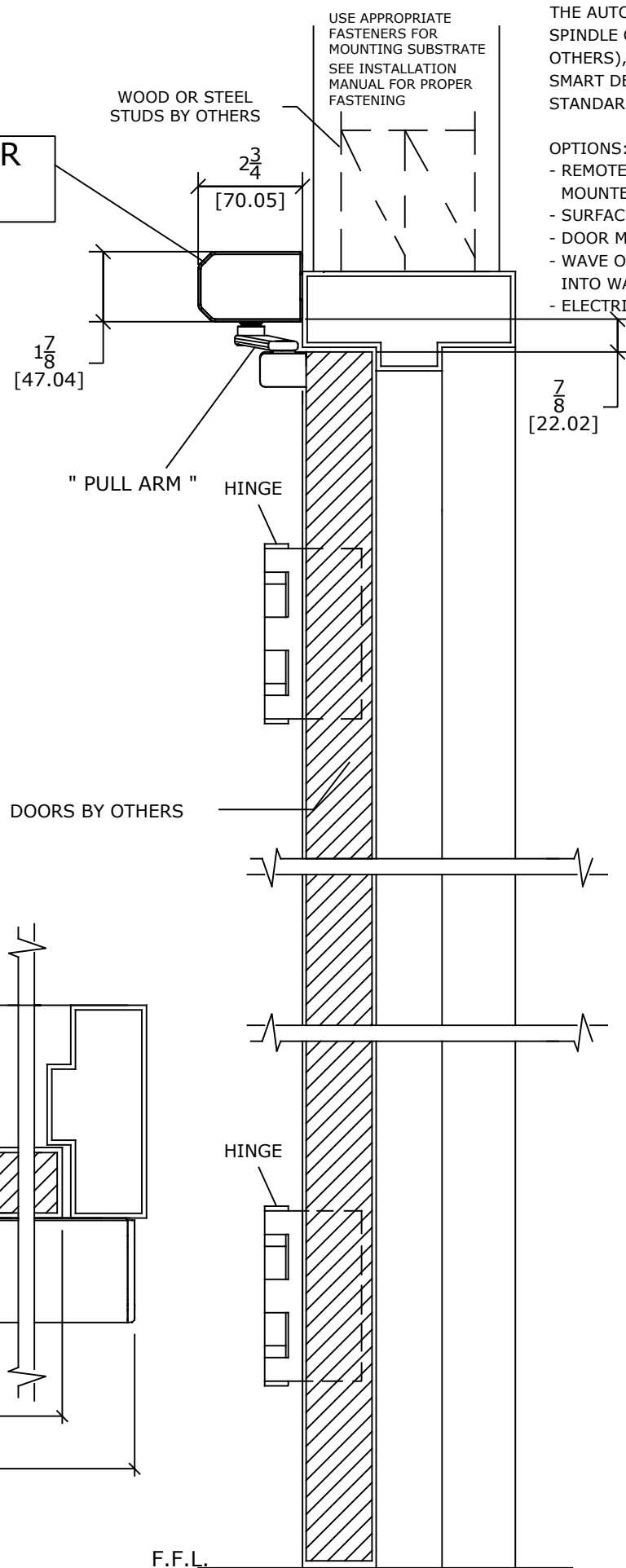


**FOR INTERIOR
USE ONLY**



NOTE: THE STANDARD PACKAGE CONSISTS OF:
THE AUTOMATIC OPERATOR, CONTROLLER, POWER SUPPLY, POWER SUPPLY HOLDER, PULL ARM, SPINDLE COVERS, HOLD/AUTO/OFF SWITCH, SMART DEVICE OPERATION VIA APP (DEVICE BY OTHERS), ELECTRONIC & MECHANICAL LOCK KICK. SMART DEVICE DIAGNOSTICS & STATISTICS VIA APP (DEVICE BY OTHERS)
STANDARD FINISH: CLEAR OR DARK BRONZE

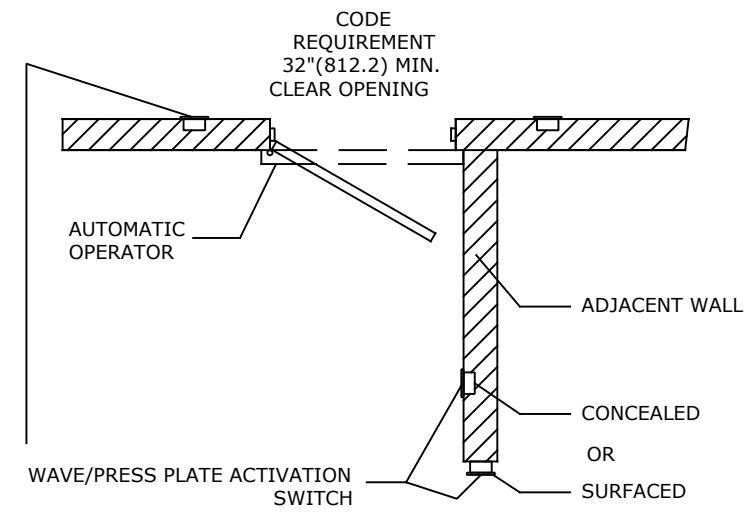
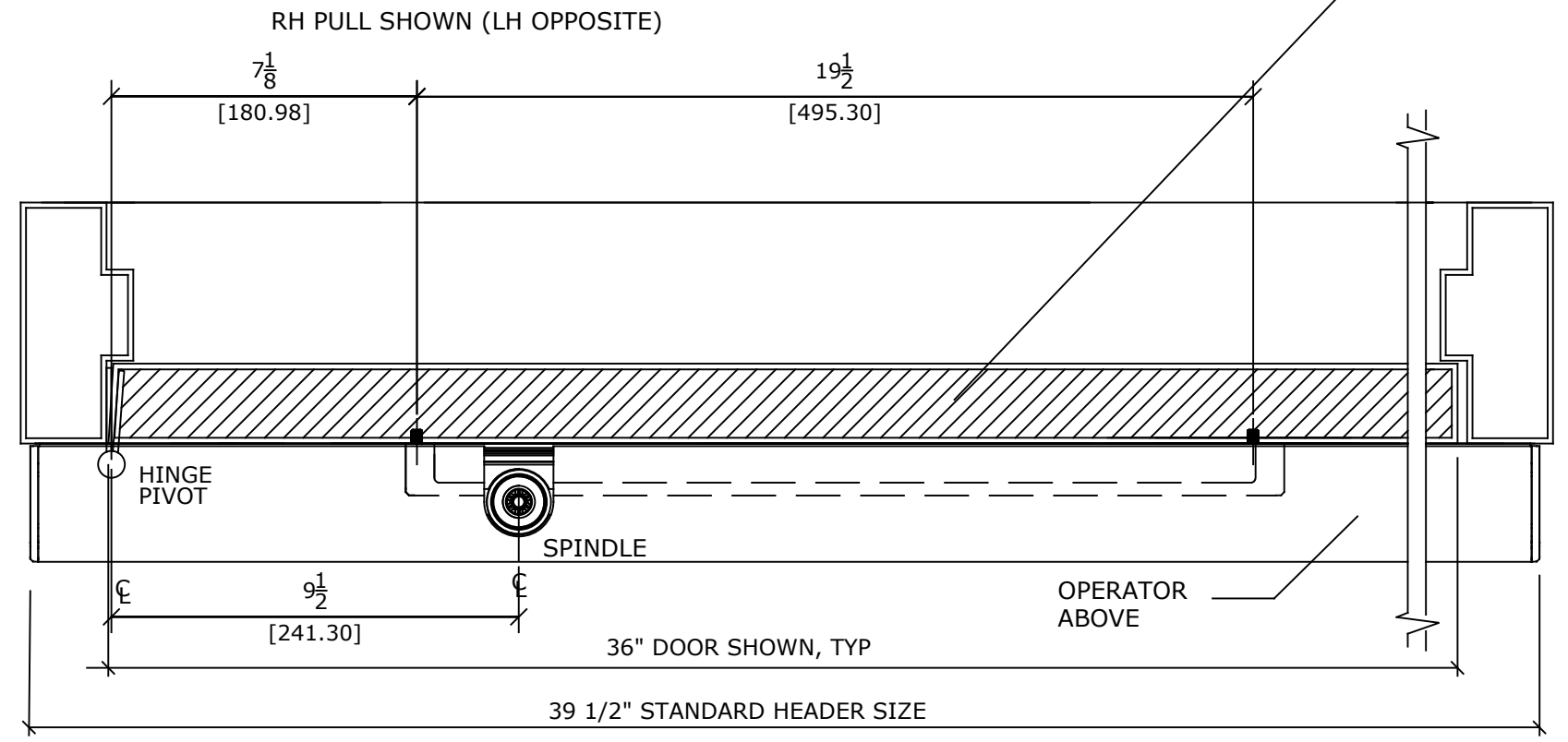
- OPTIONS:**
- REMOTE POWER BOX ADAPTOR KIT, CONCEALED IN CEILING OR FLUSH MOUNTED IN WALL. CUT SHEET AA-61
 - SURFACE MOUNTED WIRE MOLD
 - DOOR MOUNTED APPROACH SIDE SAFETY SENSOR
 - WAVE OR PRESS ACTIVATION PLATES (PLATES CAN BE CONCEALED INTO WALL OR SURFACE MOUNTED WITH WATER RESISTANT PLASTIC ENCLOSURE)
 - ELECTRIC STRIKE TO RELEASE DOOR LATCH (IF EQUIPPED)

AUTOMATIC :-
ACTIVATE THE DOOR BY HANDICAPPED WAVE/PRESS PLATE AND THE DOOR WILL SLOWLY POWER OPEN, TIME OUT, AND SLOWLY CLOSE.

PUSH ACTIVATION :- (OPTIONAL)
PUSH OR PULL THE DOOR AND IT WILL SLOWLY POWER OPEN , TIME OUT, AND SLOWLY CLOSE.

NOTE : OPERATIONAL ADJUSTMENTS TO BE IN ACCORDANCE WITH ANSI/BHMA A156.19 STANDARD. FOR LOW ENERGY POWER OPERATED DOORS.

NOTE : WAVE/PRESS PLATE ACTIVATION TO BE LOCATED WITHIN VIEW OF THE DOOR. REFERENCE ANSI A156.19 FOR FURTHER DETAILS.



DWG NO.	1021476
DRN BY	SS
DATE	7/23/20
CHK BY	
DATE	
REV.	1.0
DATE	7/23/20

NOTE: DRAWING IS DIMENSIONED IN BOTH ENGLISH AND METRIC. REF. AS FOLLOWS: 1" (25.4). ALL METRIC SIZES ARE IN MILLIMETERS.

* FOR MAXIMUM CURRENT DRAW PER OPERATOR, SEE PRODUCT SPECIFICATION OR INSTALLATION INSTRUCTIONS. POWER ADAPTOR TO BE INSTALLED PER NFPA 70/NEC REQUIREMENTS AND/OR AHJ