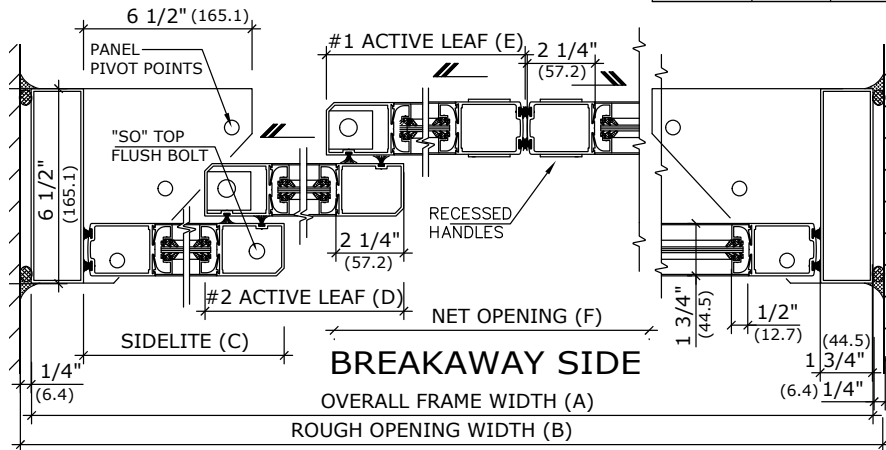
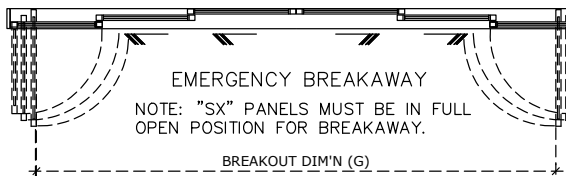


**DOOR ELEVATION**



**1 HORIZONTAL SECTION**

REFER TO RELEVANT (LOCAL, STATE, NATIONAL OR AHJ) BUILDING CODE FOR MIN DOOR HEIGHT & MIN/MAX WIDTH ALLOWABLE FOR EGRESS REQUIREMENT.  
 NOTE:  
 ENTREMATIc GROUP AB, RESERVES THE RIGHT TO CHANGE & IMPROVE IT'S PRODUCTS & SPECIFICATIONS WITHOUT NOTICE.

MANUAL SLIDING DOOR SYSTEM SHALL BE "DS9" AS ENGINEERED, MANUFACTURED & ASSEMBLED BY ENTREMATIc GROUP AB.

STANDARD FINISH: ANODIZED, CLEAR; DARK BRONZE; SPECIAL FINISHES ARE AVAILABLE

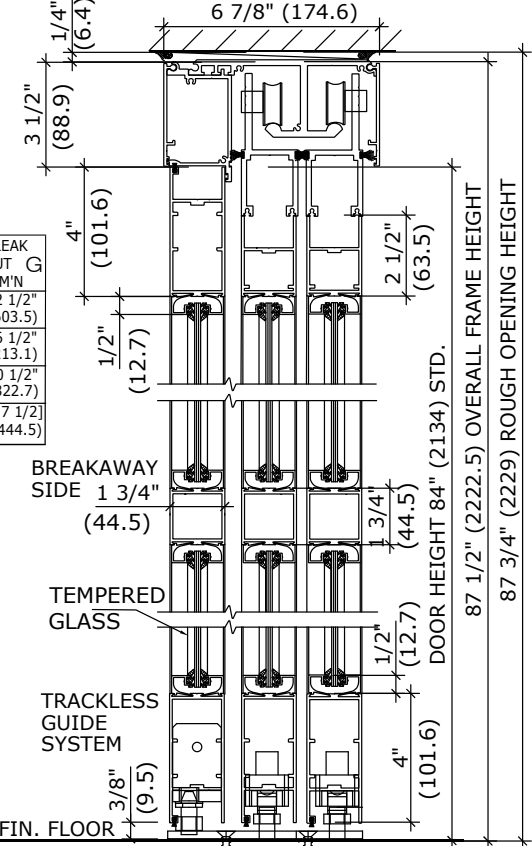
**UNIT DESCRIPTION**

**DITEC**  
 SO-SX-SX-SX-SO: TRACKLESS TELESCOPIC O.H.C. BI-PART NARROW STILE F.B.O. MANUAL DOOR SYSTEM.  
 STD. PACKAGE SHALL INCLUDE LOW PROFILE HEADER, FRAME AND DOORS WITH MUNTIN, BOTTOM RAILS WITH CONCEALED SWEEP, VERTICAL WEATHER STRIPPING, EMERGENCY BREAKAWAY, RECESSED HANDLES, GLAZING STOPS FOR T.G, BOTTOM GUIDE SYSTEM SHALL BE TRACKLESS.

SIZE	OVERALL FRAME WIDTH A	ROUGH OPENING B	SIDELITE PANEL C	#2 ACTIVE PANEL D	#1 ACTIVE PANEL E	NET DOOR OPENING F	BREAK OUT DIM'N G
120"	120" (3048)	120 1/2" (3060.7)	15 5/16" (404.8)	21 5/16" (541.3)	27 5/16" (693.7)	51 7/8" (1317.6)	102 1/2" (2603.5)
144"	144" (3657.6)	144 1/2" (3670.3)	19 5/16" (490.5)	25 5/16" (642.9)	31 5/16" (795.3)	67 7/8" (1724)	126 1/2" (3213.1)
168"	168" (4267.2)	168 1/2" (4279.9)	23 5/16" (592.1)	29 5/16" (744.5)	35 5/16" (896.9)	83 7/8" (2130.4)	150 1/2" (3822.7)
KEY INCHES KEY (mm)	[B-1/2] (B-12.7)	[A+1/2] (A+12.7)	[A-28]/6 (A-711)/6	[C+6] (C+152.4)	[D+6] (D+152.4)	A-2[E+6 3/4] A-2(E+171.5)	[A-17 1/2] (A-444.5)

**APPLICATION:**  
 TRACKLESS TELESCOPIC BI-PART, MANUAL SLIDER SYSTEM.

NOTE: DRAWING IS DIMENSIONED IN BOTH INCHES & METRIC (mm)



**2 VERTICAL SECTION**

**ENTREMATIc**

TEL. 877-348-6837 (CANADA)  
[www.ditecentrematic.ca](http://www.ditecentrematic.ca)  
 TEL. 866-901-4284 (USA)  
[www.ditecentrematic.us](http://www.ditecentrematic.us)

SHEET TITLE:			SHEET NO.
ARCHITECT:			<b>6</b>
CONTRACTOR:			SECTION
DETAIL SCALE	DRAWN BY	DATE	<b>DS9</b>