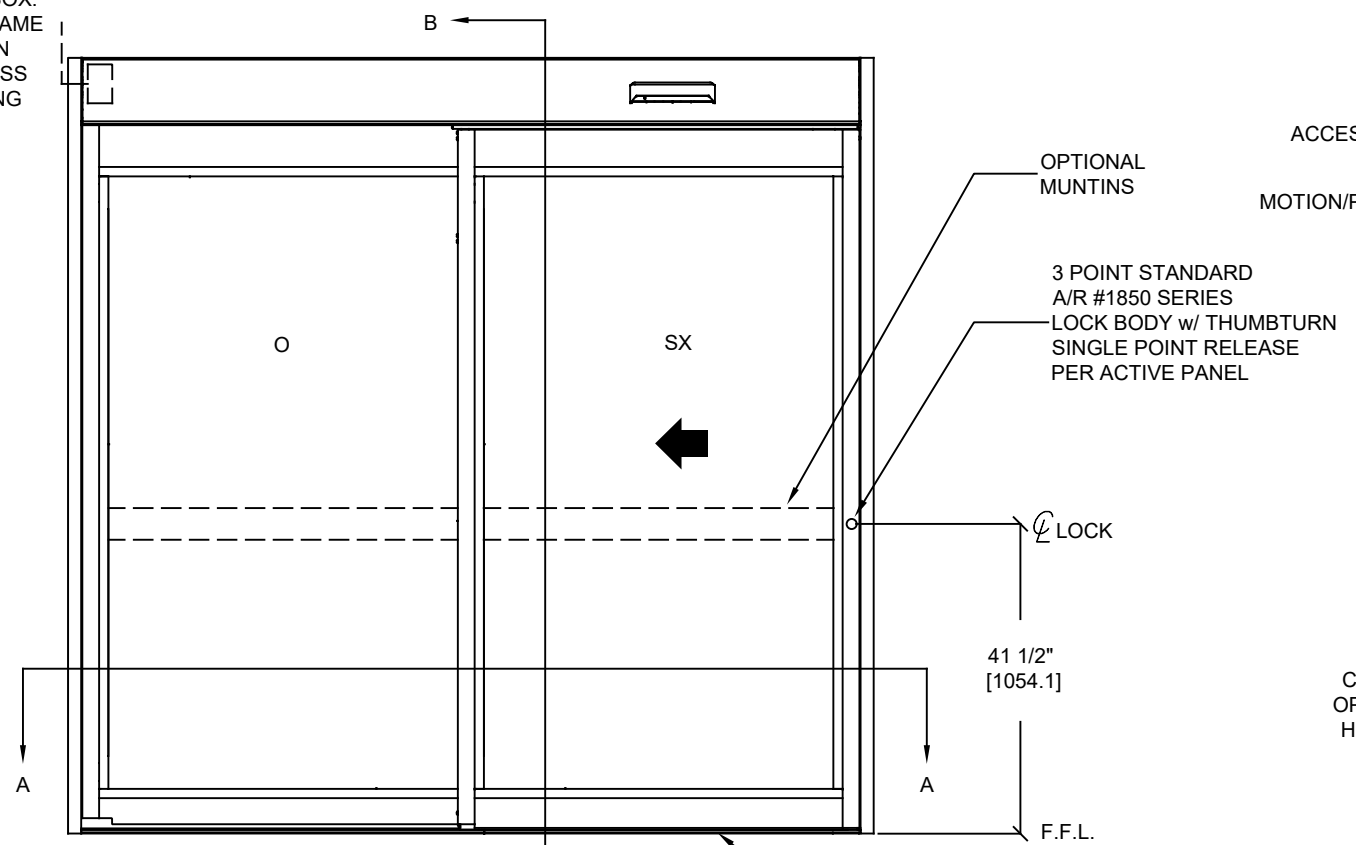
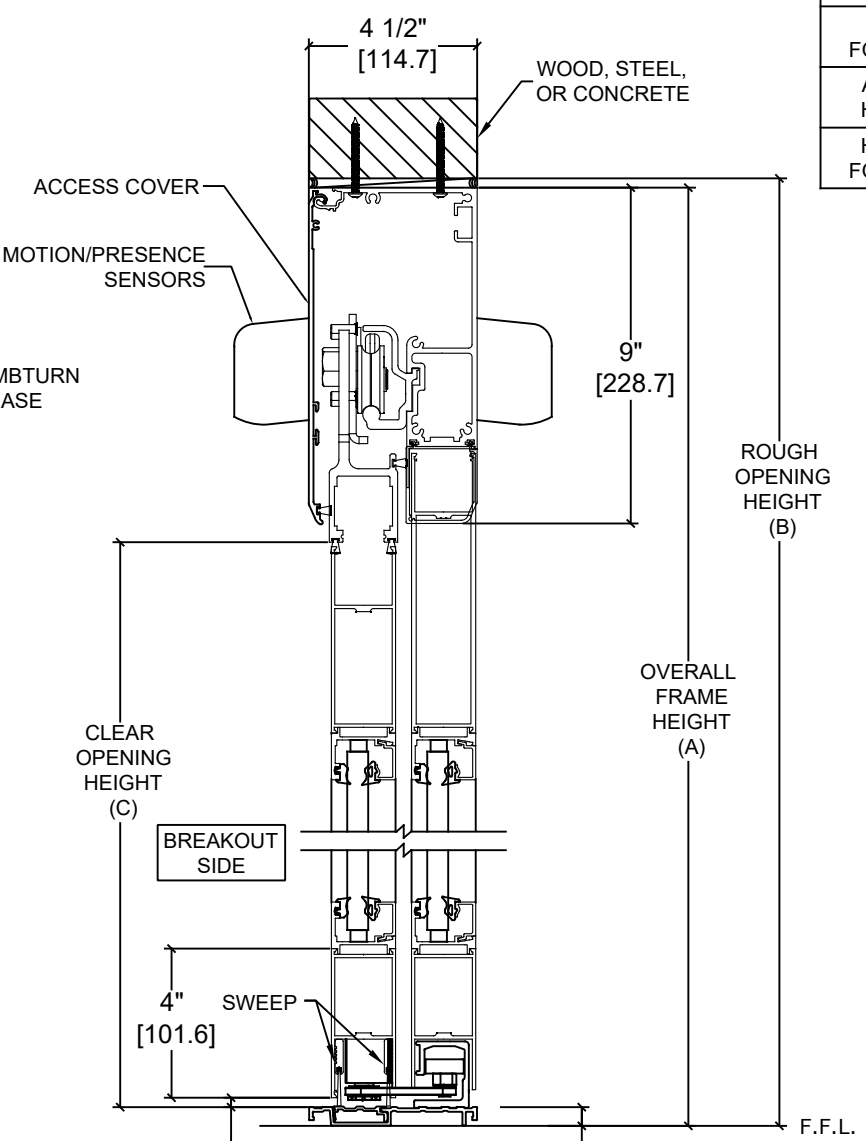


DS-20H-1-FL-I
Hurricane, Overhead Concealed, Narrow Stile, Fixed Sidelite,
Single Slide
Large & Small Missile Impact - Level D

ELECTRICAL SUPPLY
120 VAC. 50/60HZ. 15/20A.
BY ELEC. CONTR. TO
JUNCTION BOX.
SUPPLY IN SAME
LOCATION
REGARDLESS
OF HANDING



EXTERIOR ELEVATION
SCALE - 1:5
LH SLIDE SHOWN
(RH SLIDE OPPOSITE)



SECTION B-B
SCALE - 1:1

	OFW (A)	ROUGH OPENING (B)	CLEAR OPENING (C)	DOOR WIDTH (D)	BREAKOUT WIDTH (E)
AT MAX WIDTH	102" [2590.8]	102 1/2" [2603.5]	43 1/8" [10195.4]	50 7/8" [1292.2]	47 1/2" [1206.5]
WIDTH FORMULA	B - 1/2" B - [12.7]	A + 1/2" A + [12.7]	A/2 - 7 7/8" A/2 - [198.8]	A/2 - 1/8" A/2 - [3.2]	A/2 - 3 1/2" A - [88.9]
AT MAX HEIGHT	96" [2438.4]	96 1/4" [2444.75]	86" [2184.4]		
HEIGHT FORMULA	B - 1/4" B - [6.35]	A + 1/4" A + [6.35]	A - 10" A - [254.0]		

GLASS FORMULA: OFW /2 - 5 5/8 [142.9] X OFH -20 1/2 [520.70]

- NOTES:**
STANDARD PACKAGE CONSISTS OF:
- STANDARD FINISH:
 - CLASS 1, .018MM, CLEAR- AA-M12C22A41
 - CLASS 1, .018MM, DARK BRONZE- AA-M12C22A44
 - AUTOMATIC OPERATOR
 - NARROW STILE RAILS
 - THRESHOLD
 - 3-POINT LOCK WITH LOCK INDICATOR
 - 9/16" GLASS STOPS AND BLOCKS
 - 1/4" HS - .090" DUPONT SENTRYGLAS PLUS® - 1/4" HS
 - DRY GLAZED
 - MOTION/PRESENCE SENSORS
 - 5-POSITION KNOB SWITCH
 - BALL CATCH
 - DUAL CONCEALED SWEEPS IN SX PANEL

- OPTIONS AVAILABLE:
- SPECIAL FINISHES
 - 7" & 10" BOTTOM RAILS, SEE SHEET AA-44 FOR DETAILS
 - THRESHOLD LEAD-UP, SEE SHEET AA-30 FOR DETAILS
 - MUNTINS, SEE SHEET AA-44 FOR DETAILS
 - SEE SHEET OS-10 FOR ALL OTHER OPTIONS

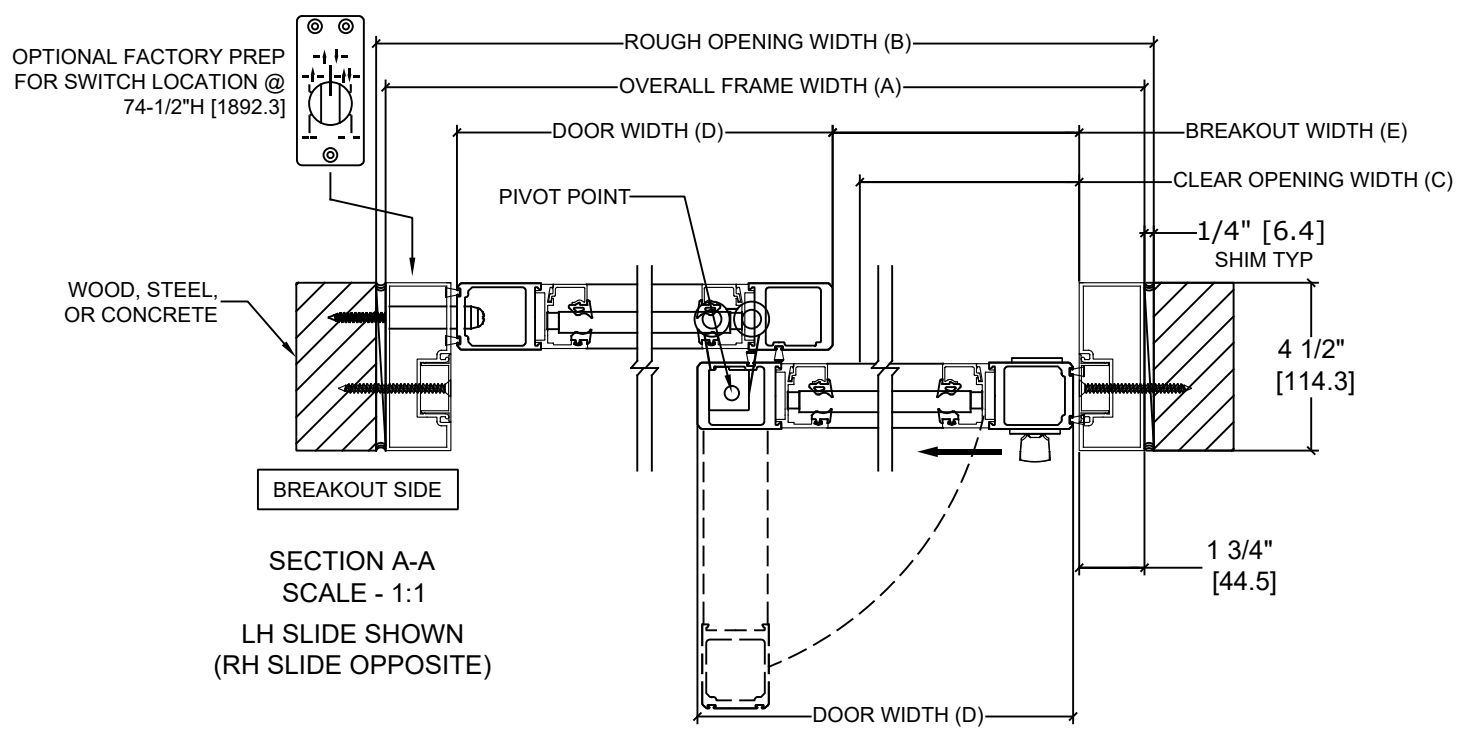
FOR MAXIMUM CURRENT DRAW, SEE PRODUCT SPECIFICATION, INSTALLATION INSTRUCTIONS, OR THE UL LABEL ON THE EQUIPMENT.

TEST PROTOCOLS: TAS 201, TAS 202 & TAS 203
FLORIDA PRODUCT APPROVAL # 33056

REFER TO RELEVANT [LOCAL, STATE, NATIONAL, OR AHJ] BUILDING CODE FOR MIN DOOR HEIGHT & MIN/MAX WIDTH ALLOWABLE FOR EGRESS REQUIREMENT IN CONJUNCTION WITH TABLE.

DIMENSIONS ARE IN INCHES [mm]

DESIGN PRESSURE RATING	
WHERE WATER INFILTRATION REQUIREMENT IS NEEDED	WHERE WATER INFILTRATION REQUIREMENT IS NOT NEEDED
NOT APPROVED	+/- 75 PSF



SECTION A-A
SCALE - 1:1
LH SLIDE SHOWN
(RH SLIDE OPPOSITE)

DWG NO. _____

DRN BY	SJF	DATE	8/27/20	CHK BY	DATE	REV.	0.1	DATE	8/30/20
--------	-----	------	---------	--------	------	------	-----	------	---------

SECTION NO. _____ SHEET NO. _____

ENTREMATI DS20H 7