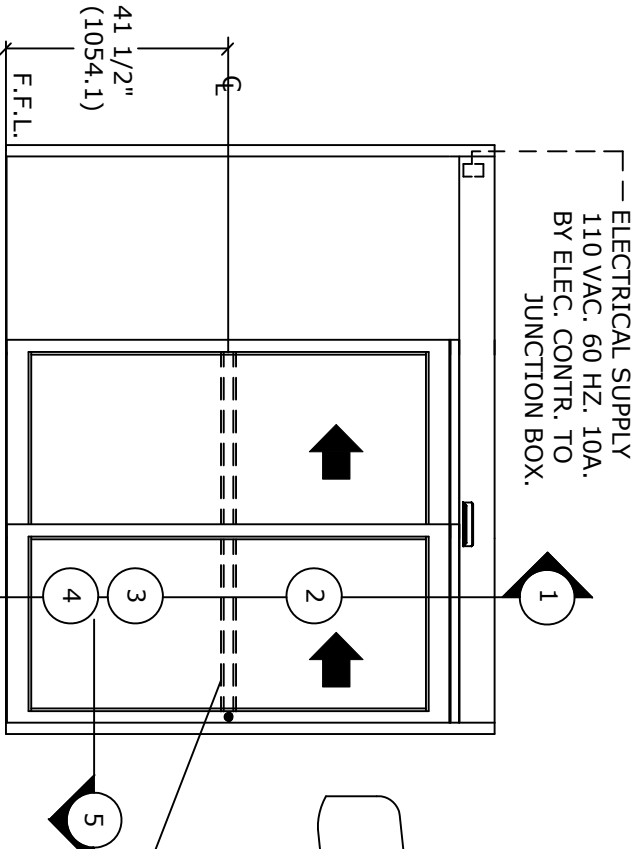
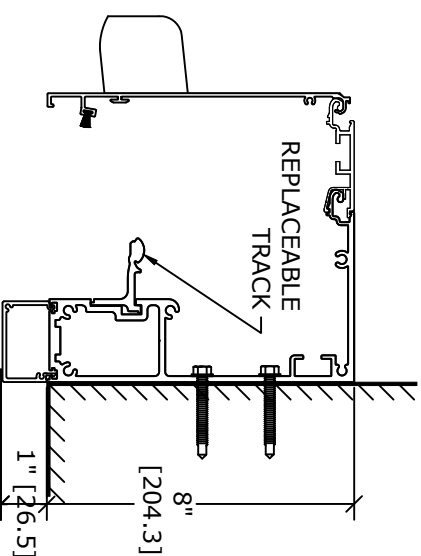
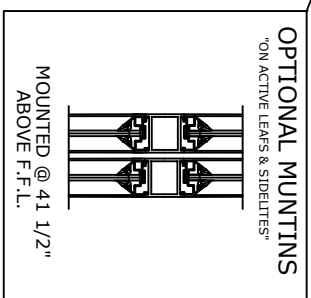


ELECTRICAL SUPPLY
 110 VAC, 60 HZ, 10A,
 BY ELEC. CONTR. TO
 JUNCTION BOX.

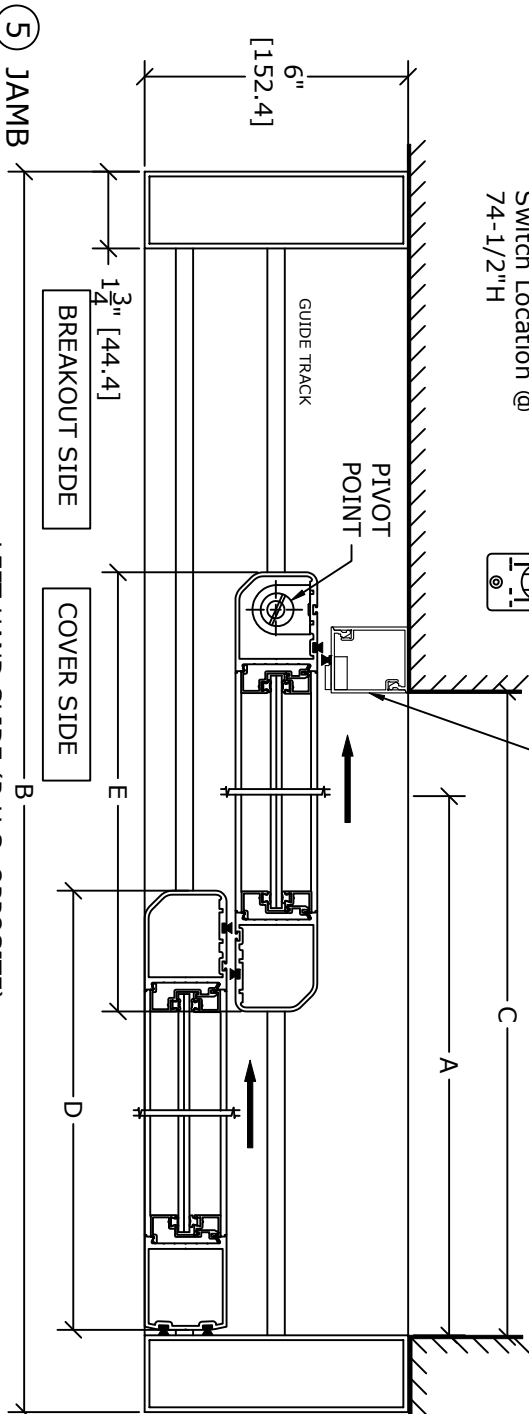


EXTERIOR ELEVATION
 LEFT HAND SLIDE (R.H.S. OPPOSITE)

Optional Factory Prep
 Switch Location @
 74-1/2"H

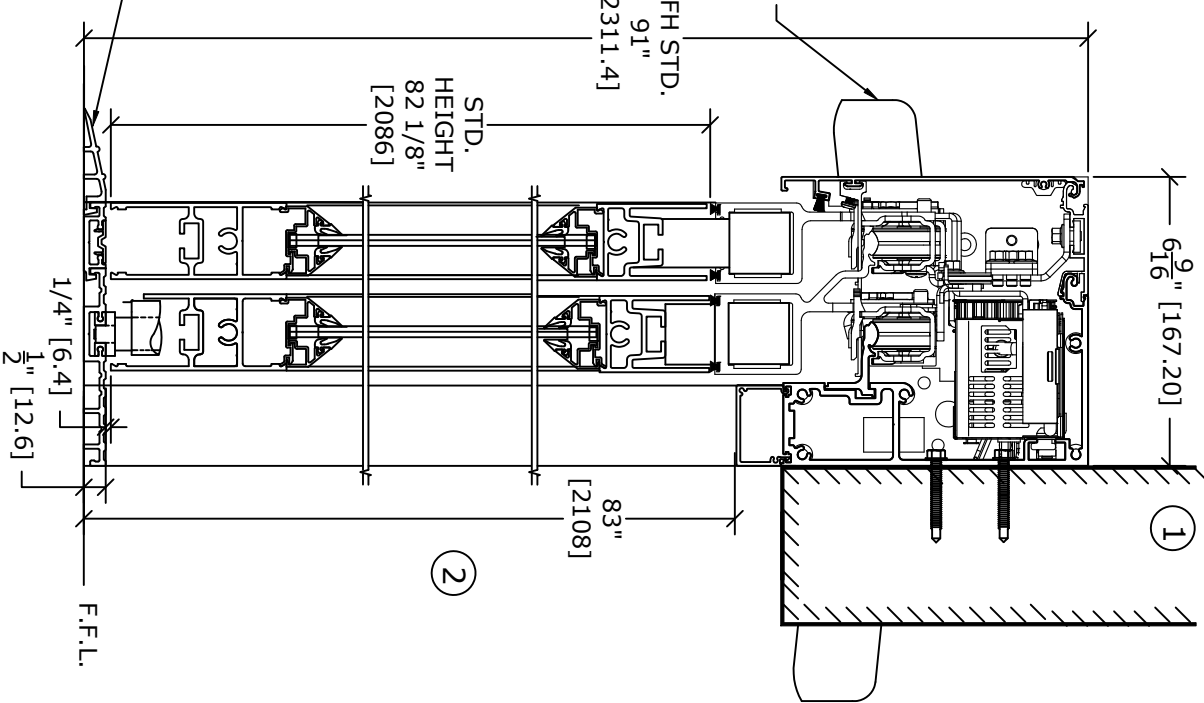


MOTION/PRESENCE
 SENSORS



LEFT HAND SLIDE (R.H.S. OPPOSITE)

OPTIONAL
 LEADUPS



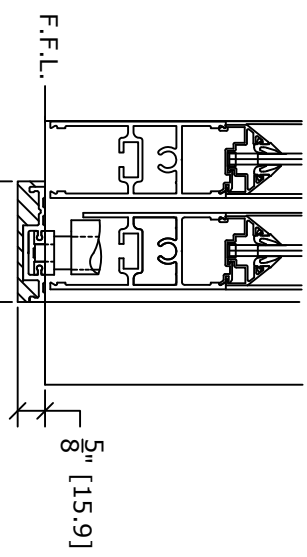
3 SILL THRESHOLD APPLICATION
 (FULL LENGTH ONLY)

MASONRY OPENING WIDTH C	ACTIVE LEAF WIDTH D & E	DOOR OPENING A	OVERALL FRAME HEIGHT	ROUGH OPENING HEIGHT	OVERALL FRAME WIDTH B
42" (1066.8)	23 11/16" (601.7)	34 5/8" (879.5)	91" (2311.4)	84" (2133.6)	69 5/16" (1760.5)
72" (1828.8)	38 11/16" (982.7)	64 5/8" (1641.5)	91" (2311.4)	84" (2133.6)	114 5/16" (2903.5)
84" (2133.6)	44 11/16" (1135.1)	76 5/8" (1946.3)	91" (2311.4)	84" (2133.6)	132 5/16" (3360.7)
96" (2438.4)	50 11/16" (1287.5)	88 5/8" (2251.1)	91" (2311.4)	84" (2133.6)	150 5/16" (3817.9)
KEY	(C/2)+2 11/16" (C/2)+(68.3")	C-7.375 (C-187.3)	ROH+(177.8)	OFH-(177.8)	(3C/2)+(160.3") (3C/2)+(403.2)

OPW NOTE: CONSULT FACTORY FOR EXTENDED HEADERS.

STD. GLASS SIZE KEY*	WIDTH- "D"	WIDTH- "E"	HEIGHT
	(C/2)-2 3/16"	(C/2)-(55.6)	(C/2)-(58.7)
	(C/2)-2 5/16"	(C/2)-(58.7)	OFH-15 7/8"
	(C/2)-2 7/8"	OFH-(403.2)	

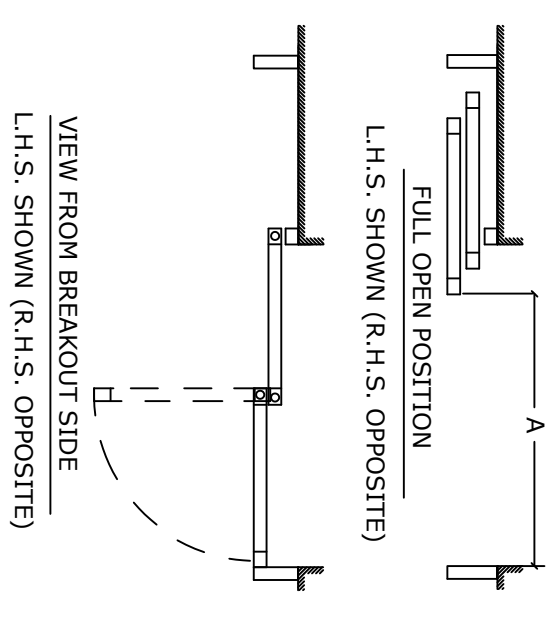
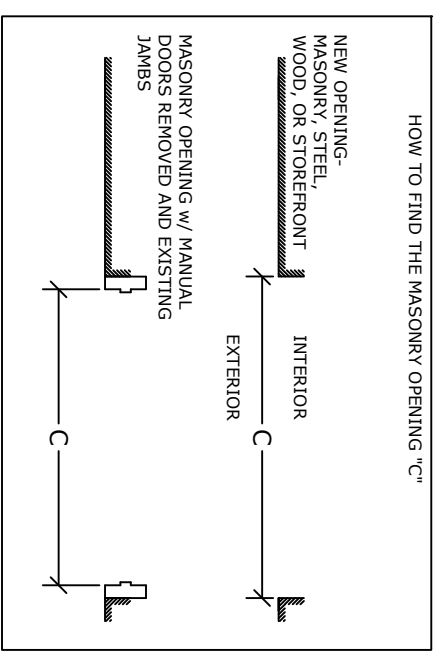
* NARROW STILE RAILS W/ 1/4" GUTTER, NO MUNTINS BASED ON MASONRY OPENING



4 SILL TRACKLESS APPLICATION

NOTE: THE STANDARD PACKAGE CONSISTS OF: THE AUTOMATIC OPERATOR & WEATHERSTRIP, FRAMES, DOORS WITH VERTICAL WEATHERSTRIP, EMERGENCY BREAKAWAY, 1-POINT LOCK, OPTIONAL POSITION SWITCHES (DIGITAL (3 OR 5) OR KEY (5)), (OFF-EXT ONLY-AUTO-REDUCED OPENING-HOLD OPEN OR OFF, AUTO, HOLD OPEN), MOTION/PRESENCE SENSORS.
 STANDARD FINISH: CLEAR- AA-M12C22A41, CLASS 1, .018 MM.
 DARK BRONZE- AA-M12C22A44, CLASS 1, .018 MM.
 SPECIAL FINISHES ARE AVAILABLE.

THIS PACKAGE WILL ACCEPT UP TO 1" (25.4) INSULATED GLASS. NOTE DRAWING IS DIMENSIONED IN BOTH ENGLISH AND METRIC REF. AS FOLLOWS 1" (25.4) ALL METRIC SIZES ARE MILLIMETERS. FOR MAXIMUM CURRENT DRAW PER OPERATOR, SEE PRODUCT SPECIFICATION, INSTALLATION INSTRUCTIONS, OR THE UL LABEL ON THE EQUIPMENT.
 REFER TO RELEVANT (LOCAL, STATE, NATIONAL OR AHD) BUILDING CODE FOR MIN DOOR HEIGHT & MIN/MAX WIDTH ALLOWABLE FOR EGRESS REQUIREMENT IN CONJUNCTION WITH TABLE BELOW.



DRN BY	SAK	DATE	8/20/20	CHK BY	---	DATE	-/-/-	REV.	0.1	DATE	-/-/-
--------	-----	------	---------	--------	-----	------	-------	------	-----	------	-------