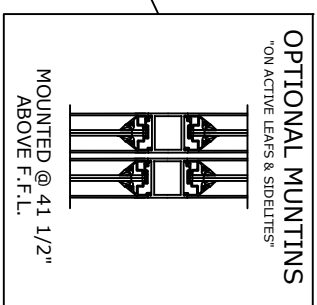
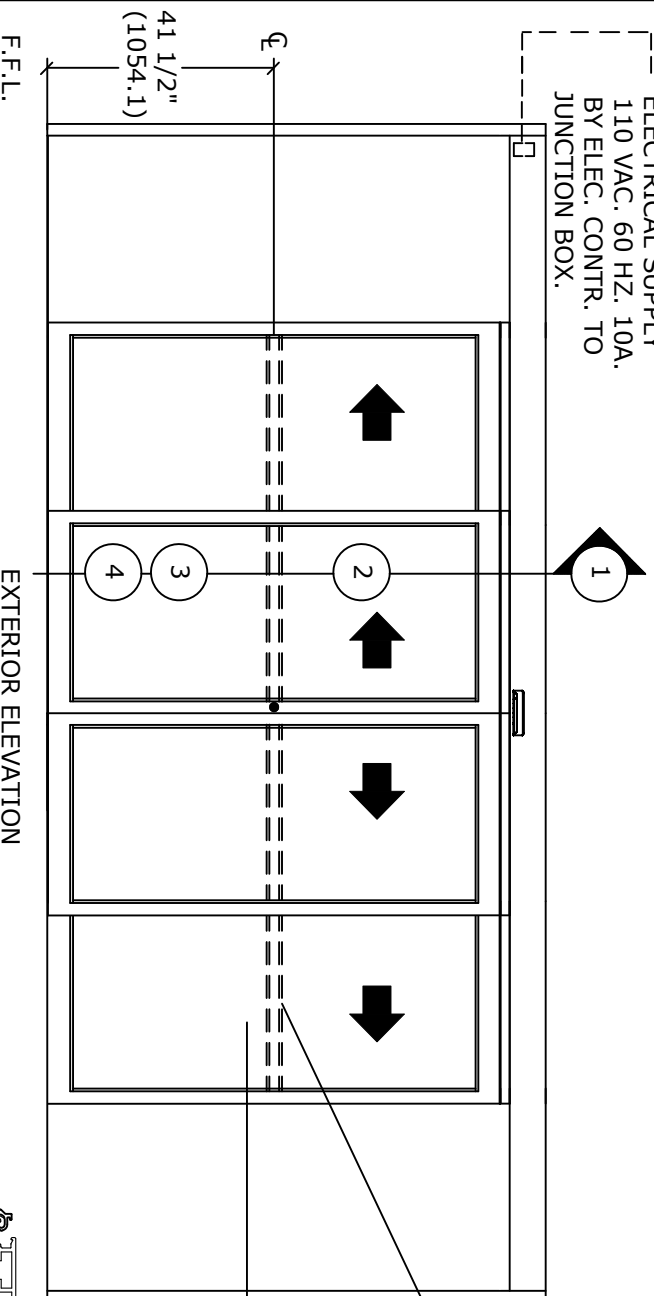
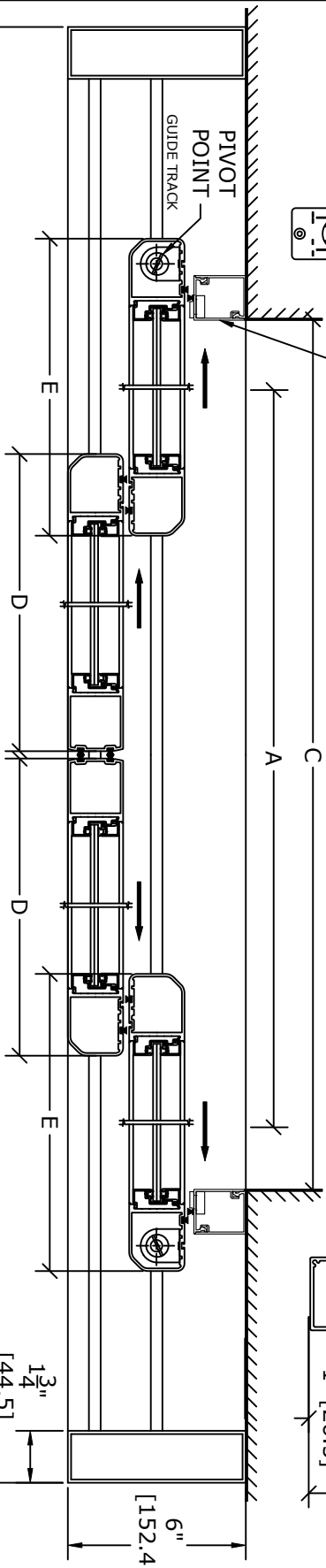


ELECTRICAL SUPPLY
 110 VAC, 60 HZ, 10A,
 BY ELEC. CONTR. TO
 JUNCTION BOX.



MOTION/PRESENCE
 SENSORS

Optional Factory Prep
 Switch Location @ 74-1/2"H



5 JAMB

BREAKOUT SIDE

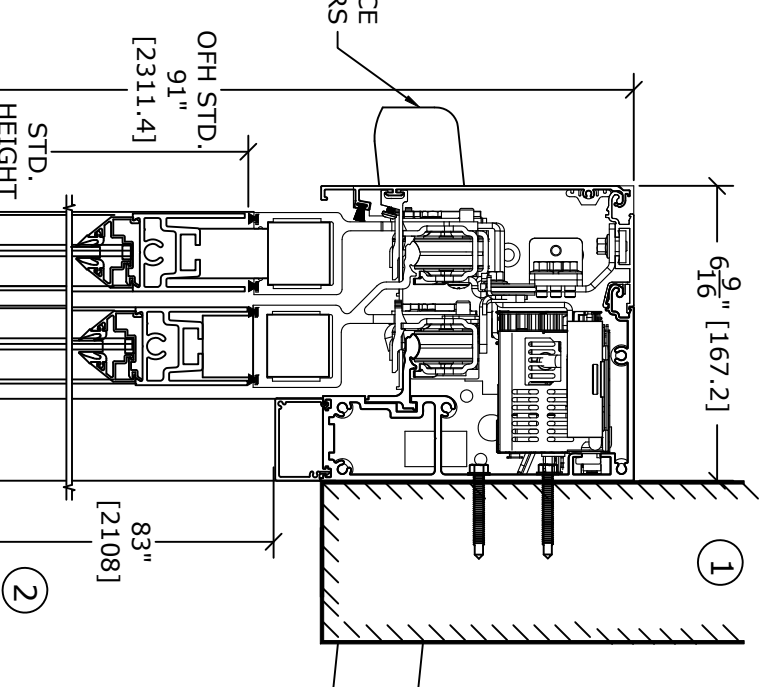
COVER SIDE

MASONRY OPENING WIDTH C	ACTIVE LEAF WIDTH D & E	DOOR OPENING A	OVERALL FRAME HEIGHT	ROUGH OPENING HEIGHT	OVERALL FRAME WIDTH B
72" (1828.8)	20 11/16" (525.5)	57 1/4" (1454.2)	91" (2311.4)	84" (2133.6)	117 1/8" (2975)
84" (2133.6)	23 11/16" (601.7)	69 1/4" (1758.9)	91" (2311.4)	84" (2133.6)	135 1/8" (3432.2)
96" (2438.4)	26 11/16" (677.9)	81 1/4" (2063.8)	91" (2311.4)	84" (2133.6)	153 1/8" (3889.4)
122" (3099)	33 3/16" (843)	107 3/16" (2722.6)	91" (2311.4)	84" (2133.6)	192" (4876.8)
			ROH+7" (2311.4)	OFH-7" (2133.6)	3C/2)+9 1/8" (3C/2)+231.8"
			ROH+(177.8)	OFH-(177.8)	3C/2)+231.8"

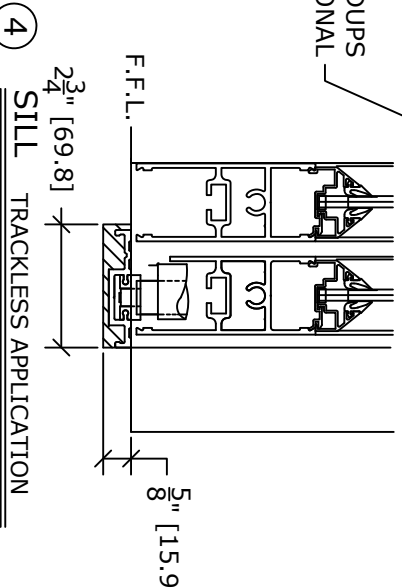
OPW NOTE: CONSULT FACTORY FOR EXTENDED HEADERS.

STD. GLASS SIZE KEY*	WIDTH - "D"	WIDTH - "E"	HEIGHT
	(C/4)-2 3/16"	(C/4)-(55.6)	(C/4)-(58.7)
	(C/4)-2 5/16"	(C/4)-(58.7)	OFH-(15 7/8")
			OFH-(403.2)

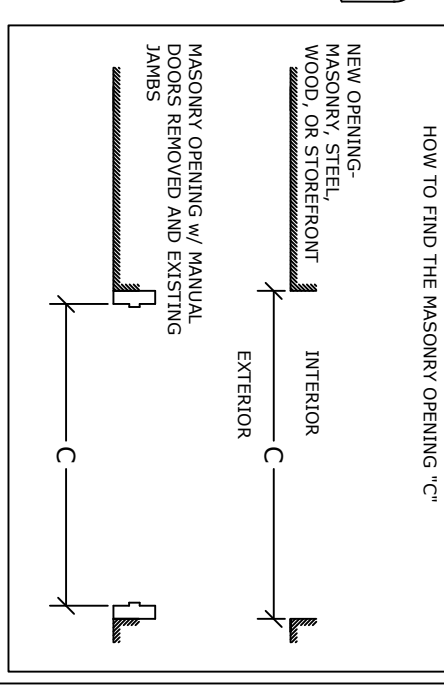
* NARROW STILE RAILS W/ 1/4" GUTTER, NO MUTTINS



SILL THRESHOLD APPLICATION (FULL LENGTH ONLY)



SILL TRACKLESS APPLICATION



NOTE: THE STANDARD PACKAGE CONSISTS OF:
 THE AUTOMATIC OPERATOR & WEATHERSTRIP, FRAMES,
 DOORS WITH VERTICAL WEATHERSTRIP,
 EMERGENCY BREAKAWAY, 1-POINT LOCK, OPTIONAL POSITION SWITCHES
 (DIGITAL (3 OR 5) OR KEY (5)). (OFF-EXIT ONLY-AUTO-REDUCED
 OPENING-HOLD OPEN OR OFF, AUTO, HOLD OPEN) MOTION/PRESENCE
 SENSORS.
 STANDARD FINISH: CLEAR-AA-M12C22A41, CLASS 1, .018 MM,
 DARK BRONZE-AA-M12C22A44, CLASS 1, .018 MM.
 SPECIAL FINISHES ARE AVAILABLE.

THIS PACKAGE WILL ACCEPT UP TO 1"(25.4) INSULATED GLASS.
 NOTE DRAWING IS DIMENSIONED IN BOTH ENGLISH AND METRIC
 REF. AS FOLLOWS: 1" (25.4) ALL METRIC SIZES ARE MILLIMETERS.
 FOR MAXIMUM CURRENT DRAW PER OPERATOR, SEE PRODUCT
 SPECIFICATION, INSTALLATION INSTRUCTIONS, OR THE UL
 LABEL ON THE EQUIPMENT.
 REFER TO RELEVANT (LOCAL, STATE, NATIONAL OR AHJ) BUILDING CODE
 FOR MIN DOOR HEIGHT & MIN/MAX WIDTH ALLOWABLE
 FOR EGRESS REQUIREMENT IN CONJUNCTION WITH TABLE BELOW.

FULL OPEN POSITION

VIEW FROM BREAKOUT SIDE

DWG NO.	DATE	CHK BY	DATE	REV	DATE
SAK	8/20/20			0.1	