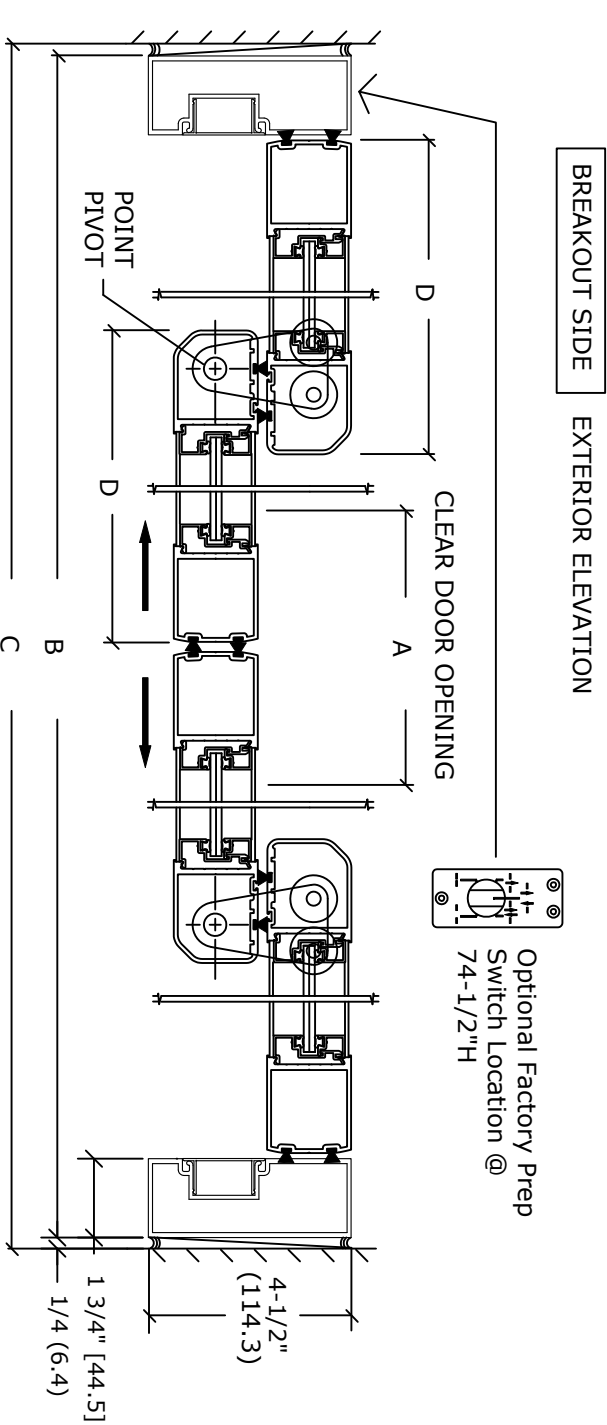
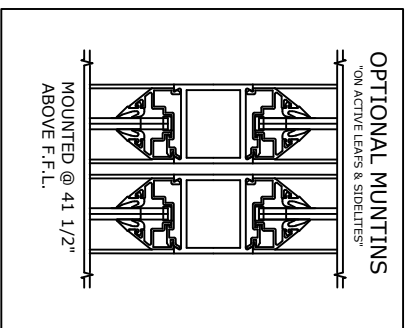
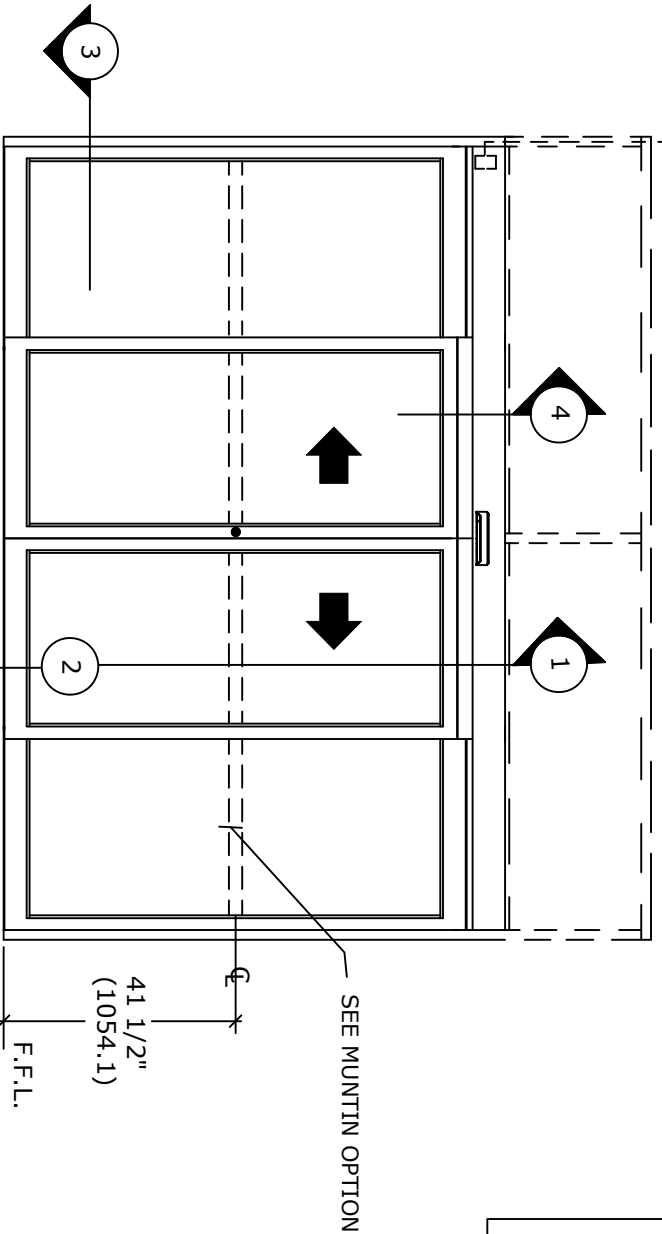


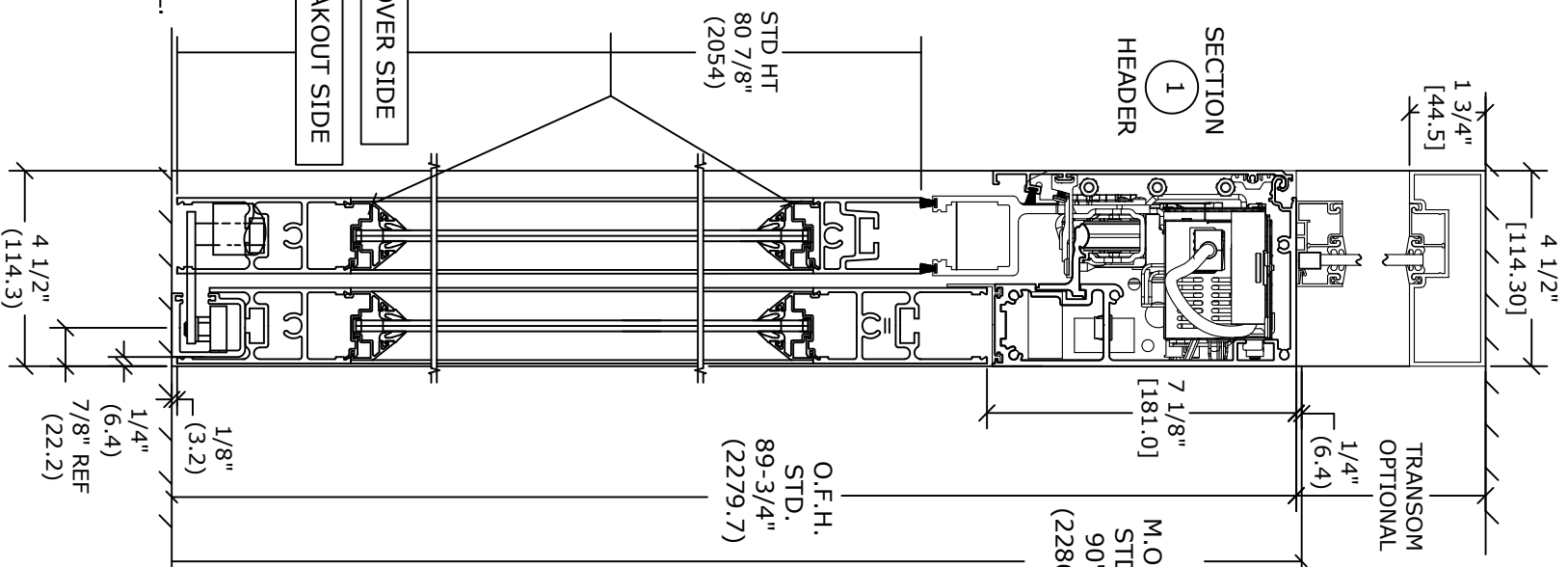


* ELECTRICAL SERVICE
120 VAC, 50/60 HZ,
15/20A BY ELEC. CONTR.
TO JUNCTION BOX.

TRANSOM FRAMING
OPTIONAL



NON REMOVABLE
SECURITY TYPE
GLAZING BEAD
SYSTEM (TYP.)
1/4" SLOPED STD.
(6.4)



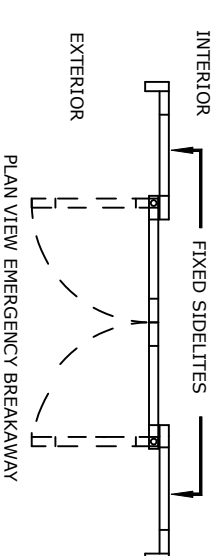
NOTE: THE STANDARD PACKAGE CONSISTS OF:
THE AUTOMATIC OPERATOR & WEATHERSTRIP. FRAMES, DOORS & SIDELITES WITH VERTICAL WEATHERSTRIP, EMERGENCY BREAKAWAY & 2-POINT LOCK. OPTIONAL POSITION SWITCHES (DIGITAL (3 OR 5) OR KEY (5)), (OFF-EXIT ONLY-AUTO-REDUCED OPENING-HOLD OPEN OR, OFF, AUTO, HOLD OPEN), MOTION/PRESENCE SENSORS, OPTIONAL 6" JAMBS. STANDARD FINISH: CLEAR-AA-M12C22A41, CLASS 1, .018 MM. DARK BRONZE-AA-M12C22A44, CLASS 1, .018 MM. SPECIAL FINISHES ARE AVAILABLE.

THIS PACKAGE WILL ACCEPT UP TO 1" (25.4) INSULATED GLASS
NOTE DRAWING IS DIMENSIONED IN BOTH ENGLISH AND METRIC REF. AS FOLLOWS 1" (25.4) ALL METRIC SIZES ARE MILLIMETERS.
* FOR MAXIMUM CURRENT DRAW PER OPERATOR, SEE PRODUCT SPECIFICATION, REFER TO RELEVANT (LOCAL, STATE, NATIONAL OR AHJ) BUILDING CODE FOR MIN DOOR HEIGHT & MIN/MAX WIDTH ALLOWABLE FOR EGRESS REQUIREMENT IN CONJUNCTION WITH TABLE BELOW.

DS20 OHC	DOOR OPENING A	OVERALL FRAME WIDTH B	MASONRY OPENING WIDTH C	ACTIVE & SIDELITE LEAF WIDTH D
OC4-8	36" (914.4)	96" (2438.4)	96 1/2" (2451.1)	24 3/8" (619.1)
OC4-10	48" (1219.2)	120" (3048)	120 1/2" (3060.7)	30 3/8" (771.5)
OC4-12	60" (1524)	144" (3657.6)	144 1/2" (3670.3)	36 3/8" (923.9)
OC4-14	72" (1828.8)	168" (4267.2)	168 1/2" (4279.9)	42 3/8" (1076.3)
OC4-16	84" (2133.6)	192" (4876.8)	192 1/2" (4889.5)	48 3/8" (1228.7)
KEY	(B/2)-(304.8)	(C-1/2") (B+1/2")	(B+1/2") (B+12.7)	(B/4)+3/8" (B/4)+(9.5)

STANDARD GLASS SIZES ARE AS FOLLOWS:

DS20 OHC	W	H	W	H	W	H	W	H
OC4-8	19 1/2"	73 7/8"	19 1/2"	73 7/8"	19 1/2"	73 7/8"	19 1/2"	73 7/8"
	(495.3)	(1876.4)	(495.3)	(1876.4)	(495.3)	(1876.4)	(495.3)	(1876.4)
OC4-10	25 1/2"	73 7/8"	25 1/2"	73 7/8"	25 1/2"	73 7/8"	25 1/2"	73 7/8"
	(647.7)	(1876.4)	(647.7)	(1876.4)	(647.7)	(1876.4)	(647.7)	(1876.4)
OC4-12	31 1/2"	73 7/8"	31 1/2"	73 7/8"	31 1/2"	73 7/8"	31 1/2"	73 7/8"
	(800.1)	(1876.4)	(800.1)	(1876.4)	(800.1)	(1876.4)	(800.1)	(1876.4)
OC4-14	37 1/2"	73 7/8"	37 1/2"	73 7/8"	37 1/2"	73 7/8"	37 1/2"	73 7/8"
	(952.5)	(1876.4)	(952.5)	(1876.4)	(952.5)	(1876.4)	(952.5)	(1876.4)
OC4-16	43 1/2"	73 7/8"	43 1/2"	73 7/8"	43 1/2"	73 7/8"	43 1/2"	73 7/8"
	(1104.9)	(1876.4)	(1104.9)	(1876.4)	(1104.9)	(1876.4)	(1104.9)	(1876.4)
KEY	(B/4)-4 1/2"	(B/4)-(14.3)	(B/4)-4 1/2"	(B/4)-(14.3)	(B/4)-4 1/2"	(B/4)-(14.3)	(B/4)-4 1/2"	(B/4)-(14.3)
	(OFH)-15 7/8"	(OFH)-(403.2)	(OFH)-15 7/8"	(OFH)-(403.2)	(OFH)-15 7/8"	(OFH)-(403.2)	(OFH)-15 7/8"	(OFH)-(403.2)



DWG NO. _____

DWN BY SAK DATE 03/13/20 CHK BY -- DATE _____

REV 0.1 DATE _____

ENTREMATIC

SECTION NO. DS SHEET NO. 4

SECTION 3
PLAN
NOTE: PACKAGES WITH TRANSOM MUST HAVE OVERHEAD SUPPORT BY OTHERS.