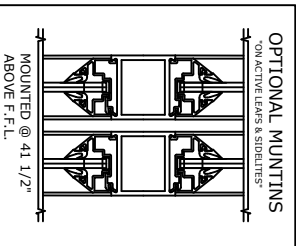
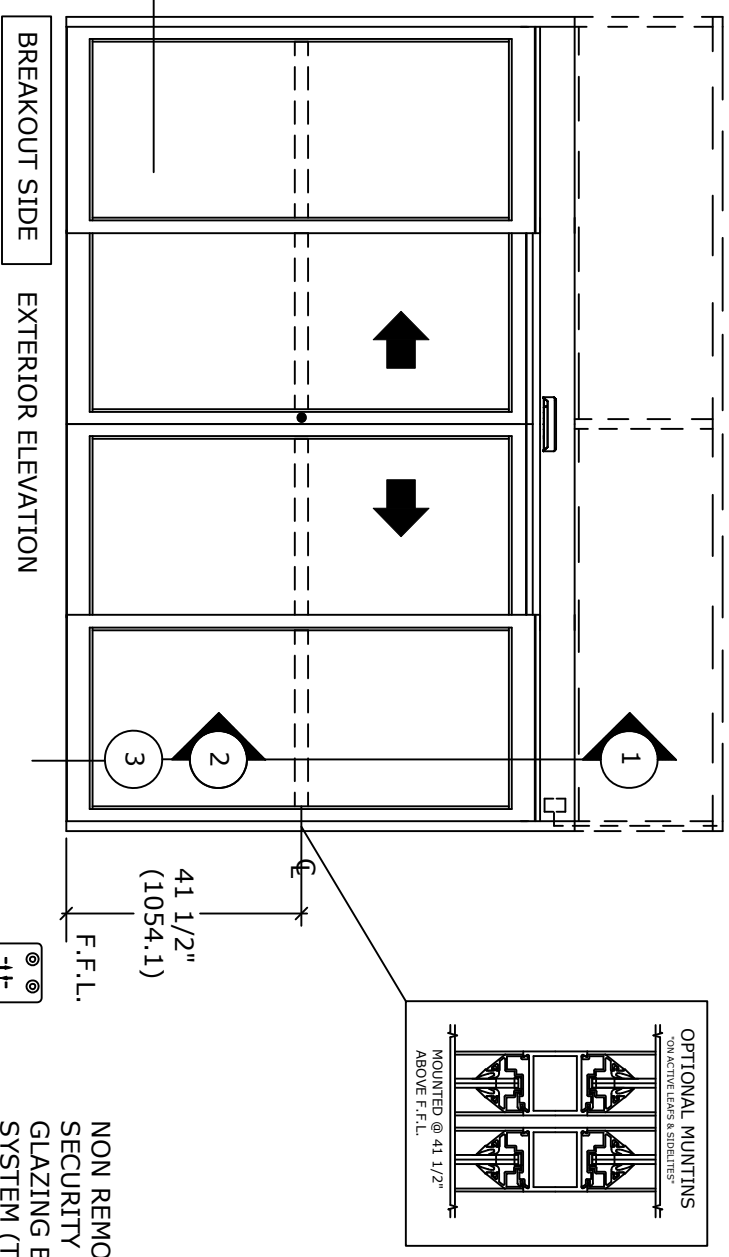
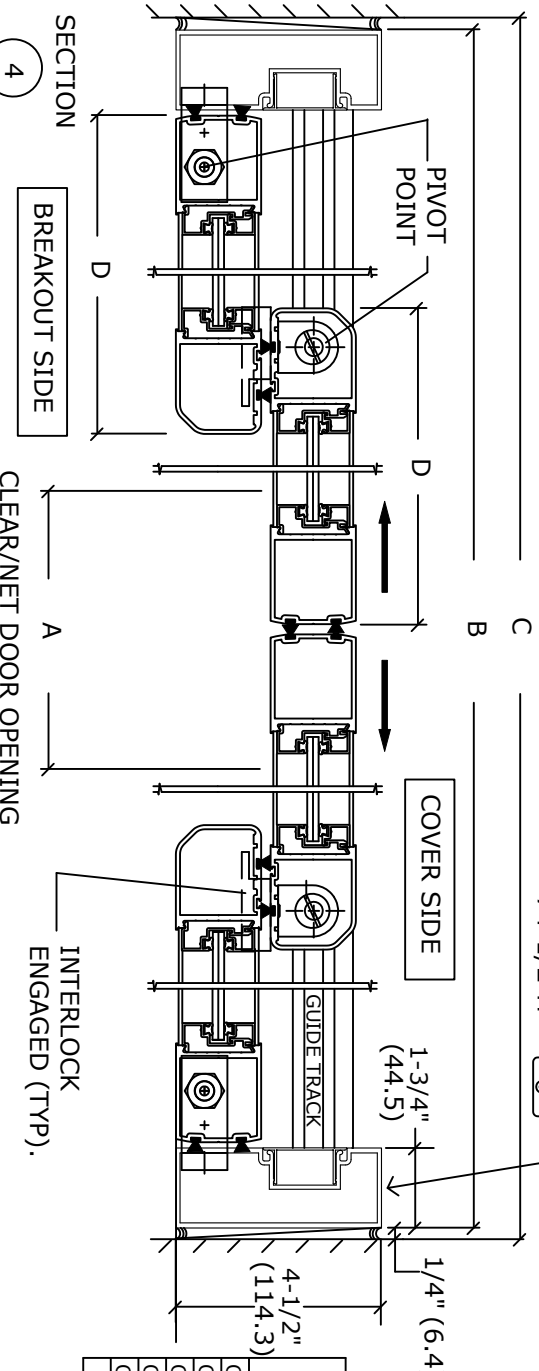


* ELECTRICAL SERVICE
120 VAC. 50/60 HZ.
15/20A. BY ELEC. CONTR.
TO JUNCTION BOX.



Optional Factory Prep
Switch Location @
74-1/2"H

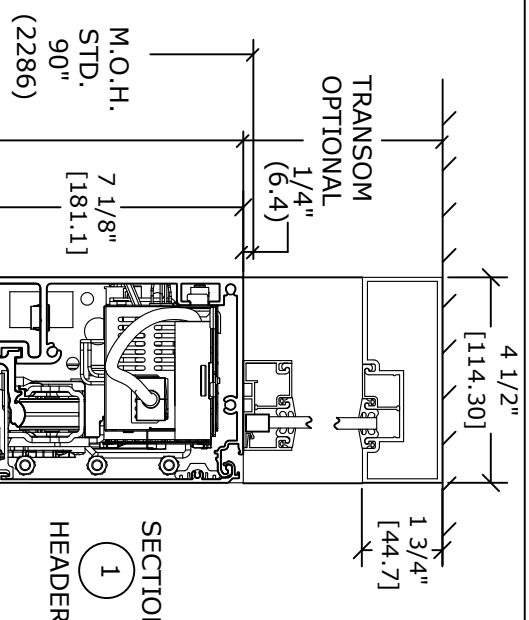
NON REMOVABLE
SECURITY TYPE
GLAZING BEAD
SYSTEM (TYP.)
1/4" SLOPED STD.
(6.4)



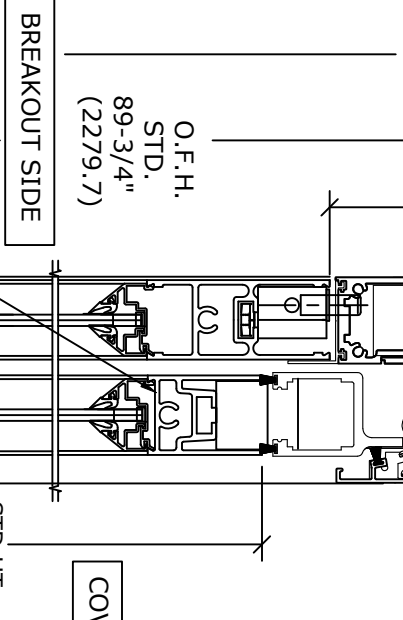
SECTION 4

PLAN

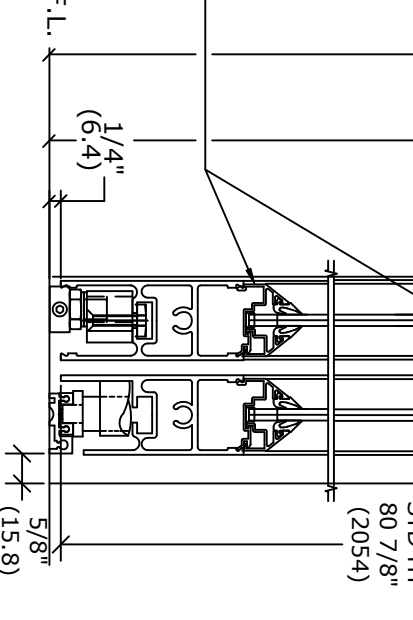
THE FOLLOWING REQUIRE OVERHEAD SUPPORT BY OTHERS: PACKAGES OVER 16' OVERALL FRAME WIDTH, OVER 90" OVERALL FRAME HEIGHT, TRANSOM, OR GLASS OTHER THAN 1/4" THICKNESS.



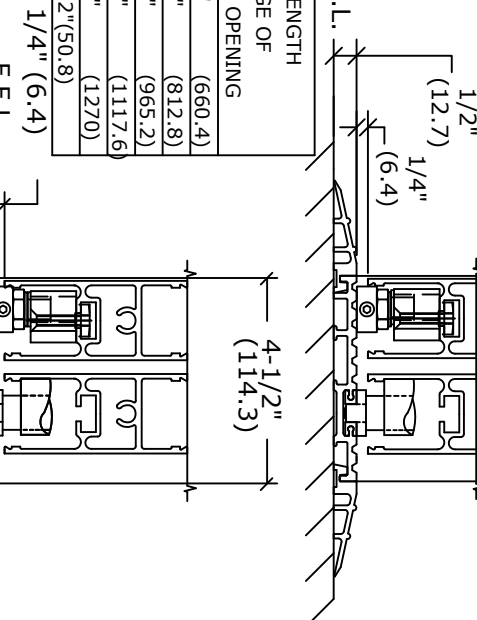
SECTION 1



COVER SIDE



SECTION 2



SECTION 3

RECESS LENGTH FROM EDGE OF MASONRY OPENING	
OC2-8 = 26"	(660.4)
OC2-10 = 32"	(812.8)
OC2-12 = 38"	(965.2)
OC2-14 = 44"	(1117.6)
OC2-16 = 50"	(1270)
KEY (B/4)+2"(50.8)	

TRACK LEVELED IN 1/4" (6.4) GROUING.
1 3/4" (44.4)
5/8" (15.8)
3/8" (9.5)
3/4" (19.1)
2 3/8" (60.3)

NOTE: THE STANDARD PACKAGE CONSISTS OF:
THE AUTOMATIC OPERATOR & WEATHERSTRIP. FRAMES, DOORS & SIDELITES WITH VERTICAL WEATHERSTRIP, EMERGENCY BREAKAWAY & 2-POINT LOCK. OPTIONAL POSITION SWITCHES (DIGITAL (3 OR 5) OR KEY (5)), (OFF-EXIT ONLY-AUTO-REDUCED OPENING-HOLD OPEN or OFF, AUTO, HOLD OPEN), MOTION/PRESENCE SENSORS, OPTIONAL 6" JAMBS. STANDARD FINISH: CLEAR-AA-M12C22A41, CLASS 1, .018 MM. DARK BRONZE-AA-M12C22A44, CLASS 1, .018MM
SPECIAL FINISHES ARE AVAILABLE.

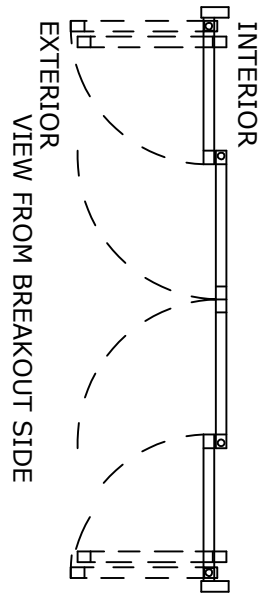
THIS PACKAGE WILL ACCEPT UP TO 1"(25.4) INSULATED GLASS IN THE SIDELITES AND ACTIVE LEAVES. PLEASE INDICATE IF SO DESIRED.

NOTE DRAWING IS DIMENSIONED IN BOTH ENGLISH AND METRIC REF. AS FOLLOWS 1" (25.4) ALL METRIC SIZES ARE MILLIMETERS.
* FOR MAXIMUM CURRENT DRAW PER OPERATOR, SEE PRODUCT SPECIFICATION, INSTALLATION INSTRUCTIONS, OR THE UL LABEL ON THE EQUIPMENT.
REFER TO RELEVANT (LOCAL, STATE, NATIONAL OR AHJ) BUILDING CODE FOR MIN DOOR HEIGHT & MIN/MAX WIDTH ALLOWABLE FOR EGRESS REQUIREMENT IN CONJUNCTION WITH TABLE BELOW.

DS20 OHC	DOOR OPENING		OVERALL FRAME WIDTH		MASONRY OPENING WIDTH		ACTIVE & SIDELITE LEAF WIDTH	
	A	B	B	C	C	D	D	D
OC2-8	36" (914.4)	96" (2438.4)	96" (2451.1)	96 1/2" (2451.1)	24 3/8" (619.1)	24 3/8" (619.1)	24 3/8" (619.1)	24 3/8" (619.1)
OC2-10	48" (1219.2)	120" (3048)	120" (3060.7)	120 1/2" (3060.7)	30 3/8" (771.5)	30 3/8" (771.5)	30 3/8" (771.5)	30 3/8" (771.5)
OC2-12	60" (1524)	144" (3657.6)	144" (3670.3)	144 1/2" (3670.3)	36 3/8" (923.9)	36 3/8" (923.9)	36 3/8" (923.9)	36 3/8" (923.9)
OC2-14	72" (1828.8)	168" (4267.2)	168" (4279.9)	168 1/2" (4279.9)	42 3/8" (1076.3)	42 3/8" (1076.3)	42 3/8" (1076.3)	42 3/8" (1076.3)
OC2-16	84" (2133.6)	192" (4876.8)	192" (4899.5)	192 1/2" (4899.5)	48 3/8" (1228.7)	48 3/8" (1228.7)	48 3/8" (1228.7)	48 3/8" (1228.7)
KEY	(B/2)-1/2" (C-1/2") (B/2)-(304.8)	(B/4)+3/8" (B+12.7)	(B/4)+3/8" (B+12.7)	(B/4)+3/8" (B+12.7)	(B/4)+9.5	(B/4)+9.5	(B/4)+9.5	(B/4)+9.5

STANDARD GLASS SIZES ARE AS FOLLOWS:

DS20 OHC	DOOR OPENING		OVERALL FRAME WIDTH		MASONRY OPENING WIDTH		ACTIVE & SIDELITE LEAF WIDTH	
W	H	B	C	C	D	D	D	
OC2-8	19 1/2" (495.3)	73 7/8" (1876.4)	19 1/4" (489)	19 1/4" (489)	73 3/8" (1863.7)	73 3/8" (1863.7)	73 3/8" (1863.7)	73 3/8" (1863.7)
OC2-10	25 1/2" (647.7)	73 7/8" (1876.4)	25 1/4" (641.4)	25 1/4" (641.4)	73 3/8" (1863.7)	73 3/8" (1863.7)	73 3/8" (1863.7)	73 3/8" (1863.7)
OC2-12	31 1/2" (800.1)	73 7/8" (1876.4)	31 1/4" (793.8)	31 1/4" (793.8)	73 3/8" (1863.7)	73 3/8" (1863.7)	73 3/8" (1863.7)	73 3/8" (1863.7)
OC2-14	37 1/2" (952.5)	73 7/8" (1876.4)	37 1/4" (946.2)	37 1/4" (946.2)	73 3/8" (1863.7)	73 3/8" (1863.7)	73 3/8" (1863.7)	73 3/8" (1863.7)
OC2-16	43 1/2" (1104.9)	73 7/8" (1876.4)	43 1/4" (1098.5)	43 1/4" (1098.5)	73 3/8" (1863.7)	73 3/8" (1863.7)	73 3/8" (1863.7)	73 3/8" (1863.7)
KEY	(B/4)-4 1/2" (B/4)-(114.3)	(B/4)-15 7/8" (B/4)-(403.2)	(B/4)-4 3/4" (B/4)-(120.7)	(B/4)-(120.7)	(B/4)-16 3/8" (B/4)-(415.9)	(B/4)-16 3/8" (B/4)-(415.9)	(B/4)-16 3/8" (B/4)-(415.9)	(B/4)-16 3/8" (B/4)-(415.9)



INTERIOR VIEW FROM BREAKOUT SIDE

EXTERIOR VIEW FROM BREAKOUT SIDE

DWG NO.	DATE	CHK BY	DATE
DRN BY	DATE	CHK BY	DATE
SAK	03/13/20	---	---
REV	0.1	DATE	---