

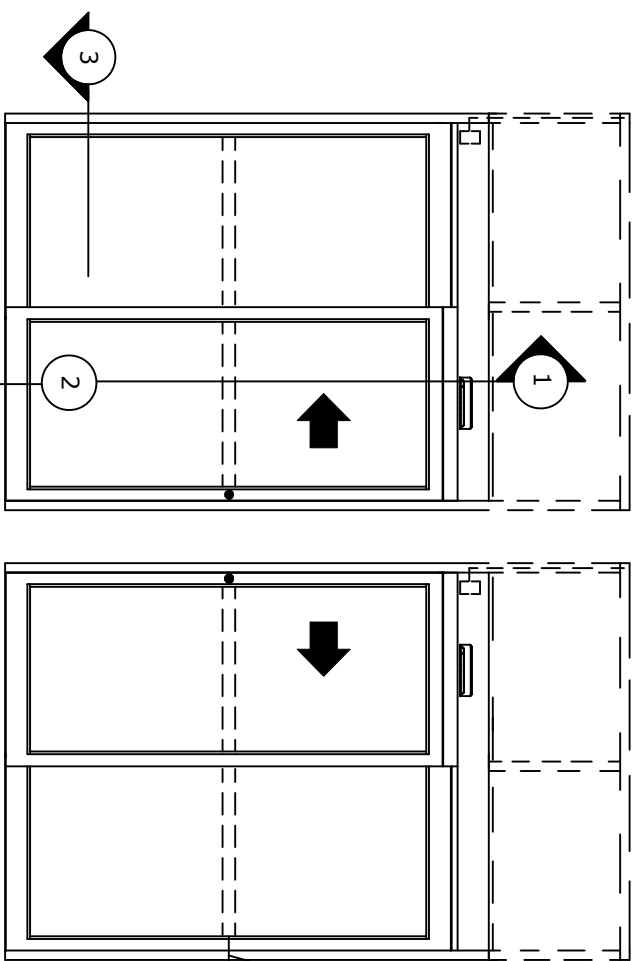
4 1/2"
(114.3)

COVER SIDE

BREAKOUT SIDE

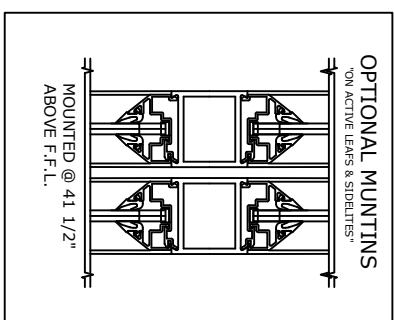
* ELECTRICAL SERVICE
120 VAC. 50/60 HZ.
15/20A. BY ELEC. CONTR.
TO JUNCTION BOX.

TRANSOM FRAMING
OPTIONAL



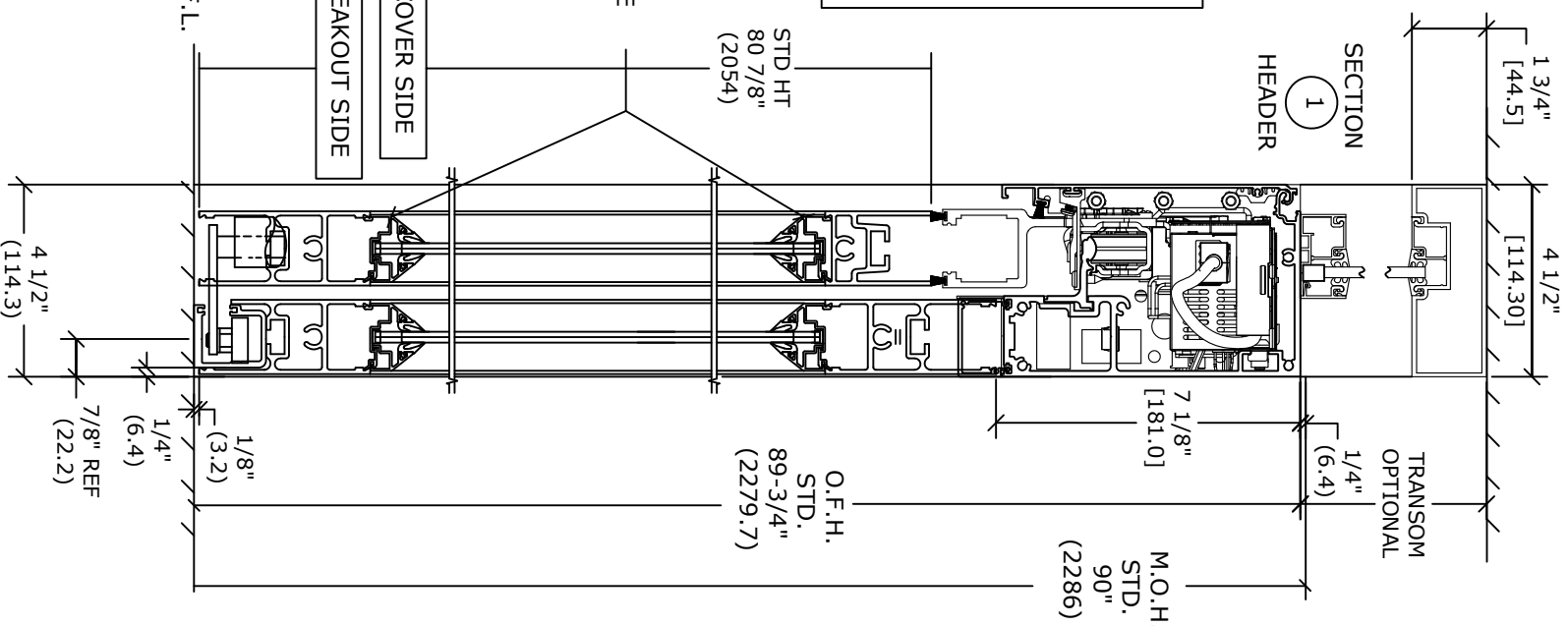
4 1 1/2"
(1054.1)

SEE MUNTIN
OPTION



NON REMOVABLE
SECURITY TYPE
GLAZING BEAD
SYSTEM (TYP.)
1/4" SLOPE STD.
(6.4)

SECTION 2
SILL
SURF. MTD.

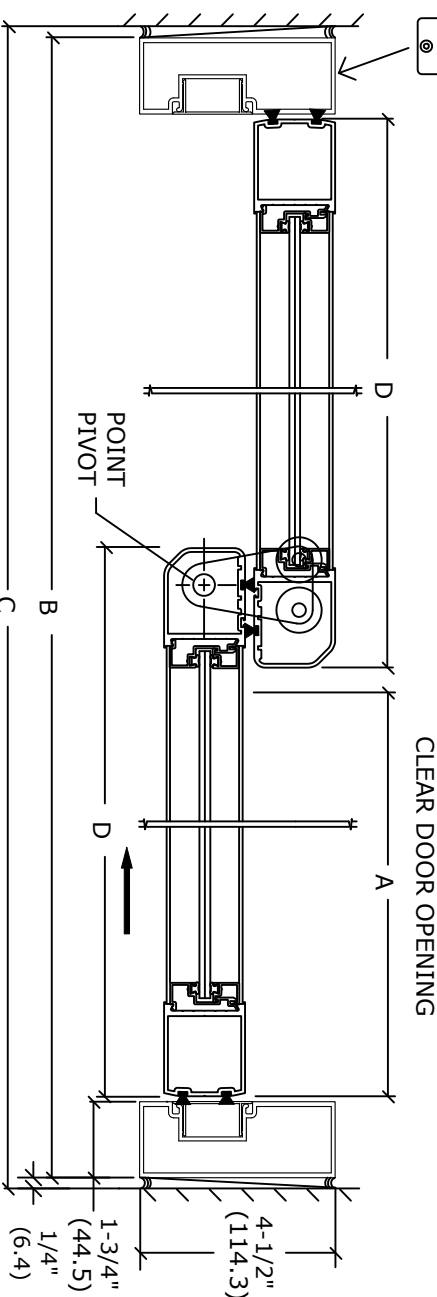


SECTION 3

BREAKOUT SIDE

COVER SIDE

LEFT HAND SLIDE (R.H.S. OPPOSITE)



CLEAR DOOR OPENING

4-1/2"
(114.3)
1-3/4"
(44.5)
1/4"
(6.4)

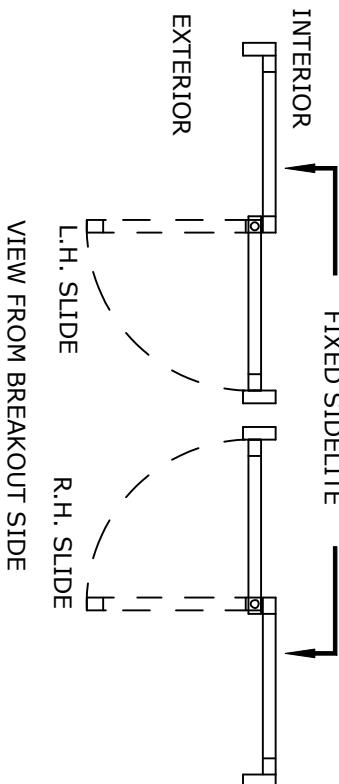
NOTE: THE STANDARD PACKAGE CONSISTS OF:
THE AUTOMATIC OPERATOR & WEATHERSTRIP. FRAMES, DOORS & SIDELITES WITH VERTICAL WEATHERSTRIP, EMERGENCY BREAKAWAY & 2-POINT LOCK. OPTIONAL POSITION SWITCHES (DIGITAL (3 OR 5) OR KEY (5)) (OFF-EXIT ONLY-AUTO-REDUCED OPENING-HOLD OPEN OR, OFF, AUTO, HOLD OPEN), MOTION/PRESENCE SENSORS, OPTIONAL 6" JAMBS.

STANDARD FINISH: CLEAR-AA-M12C22A41, CLASS 1, .018 MM.
DARK BRONZE-AA-M12C22A44, CLASS 1, .018 MM.
SPECIAL FINISHES ARE AVAILABLE.
THIS PACKAGE WILL ACCEPT UP TO 1" (25.4) INSULATED GLASS
NOTE DRAWING IS DIMENSIONED IN BOTH ENGLISH AND METRIC
REF. AS FOLLOWS 1" (25.4) ALL METRIC SIZES ARE MILLIMETERS.
* FOR MAXIMUM CURRENT DRAW PER OPERATOR, SEE PRODUCT
SPECIFICATION, INSTALLATION INSTRUCTIONS, OR THE UL
LABEL ON THE EQUIPMENT.
REFER TO RELEVANT (LOCAL, STATE, NATIONAL OR AHJ) BUILDING CODE FOR
MIN DOOR HEIGHT & MIN/MAX WIDTH ALLOWABLE
FOR EGRESS REQUIREMENT IN CONJUNCTION WITH TABLE BELOW.

DS20 OHC	DOOR OPENING A	OVERALL FRAME WIDTH B	MASONRY OPENING WIDTH C	ACTIVE & SIDELITE LEAF WIDTH D
OC3-7	35 1/4" (895.4)	84" (2133.6)	84 1/2" (2146.3)	41 1/2" (1054.1)
OC3-8	41 1/4" (1047.8)	96" (2438.4)	96 1/2" (2451.1)	47 1/2" (1206.5)
OC3-8-6	44 1/4" (1124)	102" (2590.8)	102 1/2" (2603.5)	50 1/2" (1282.7)
OC3-9	47 1/4" (1200.2)	108" (2743.2)	108 1/2" (2755.9)	53 1/2" (1358.9)
KEY	(B/2)-6-3/4" (B/2)-(171.5)	(C-1/2) (C-12.7)	(B+1/2) (B+12.7)	(B/2)-1/2" (B/2)-(12.7)

STANDARD GLASS SIZES ARE AS FOLLOWS:

DS20 OHC	WIDTH	HEIGHT	WIDTH	HEIGHT
OC3-7	36 5/8" (930.3)	73 7/8" (1876.4)	36 3/8" (923.9)	73 3/8" (1863.4)
OC3-8	42 5/8" (1082.7)	73 7/8" (1876.4)	42 3/8" (1076.3)	73 3/8" (1863.7)
OC3-8-6	45 5/8" (1158.9)	73 7/8" (1876.4)	45 3/8" (1152.5)	73 3/8" (1863.7)
OC3-9	48 5/8" (1235.1)	73 7/8" (1876.4)	48 3/8" (1228.7)	73 3/8" (1863.7)
KEY	(B/2)-5 3/8" (B/2)-(136.5)	(OFH)-15 7/8" (OFH)-(403.2)	(B/2)-5 3/8" (B/2)-(142.9)	(OFH)-16 3/8" (OFH)-(415.9)



DATE	5/1/20	CHK BY		DATE	-/-	REV	0.1	DATE	-/-
DRN BY	SAK								