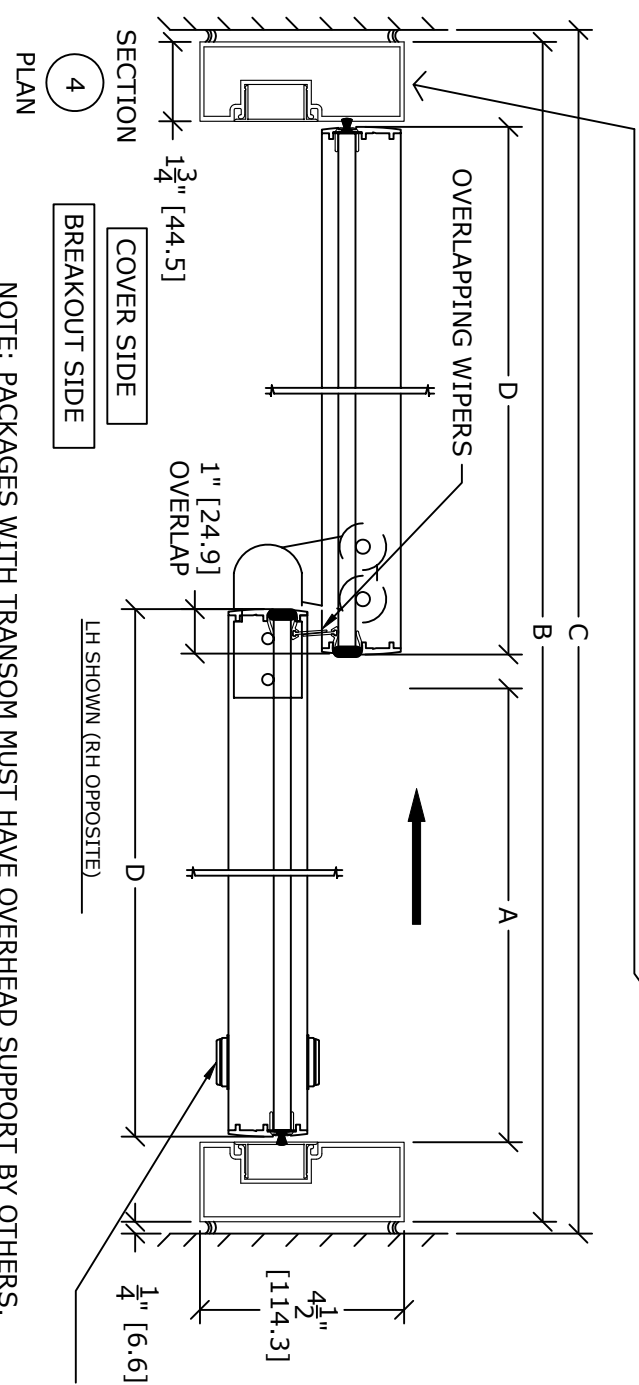
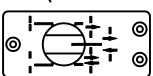


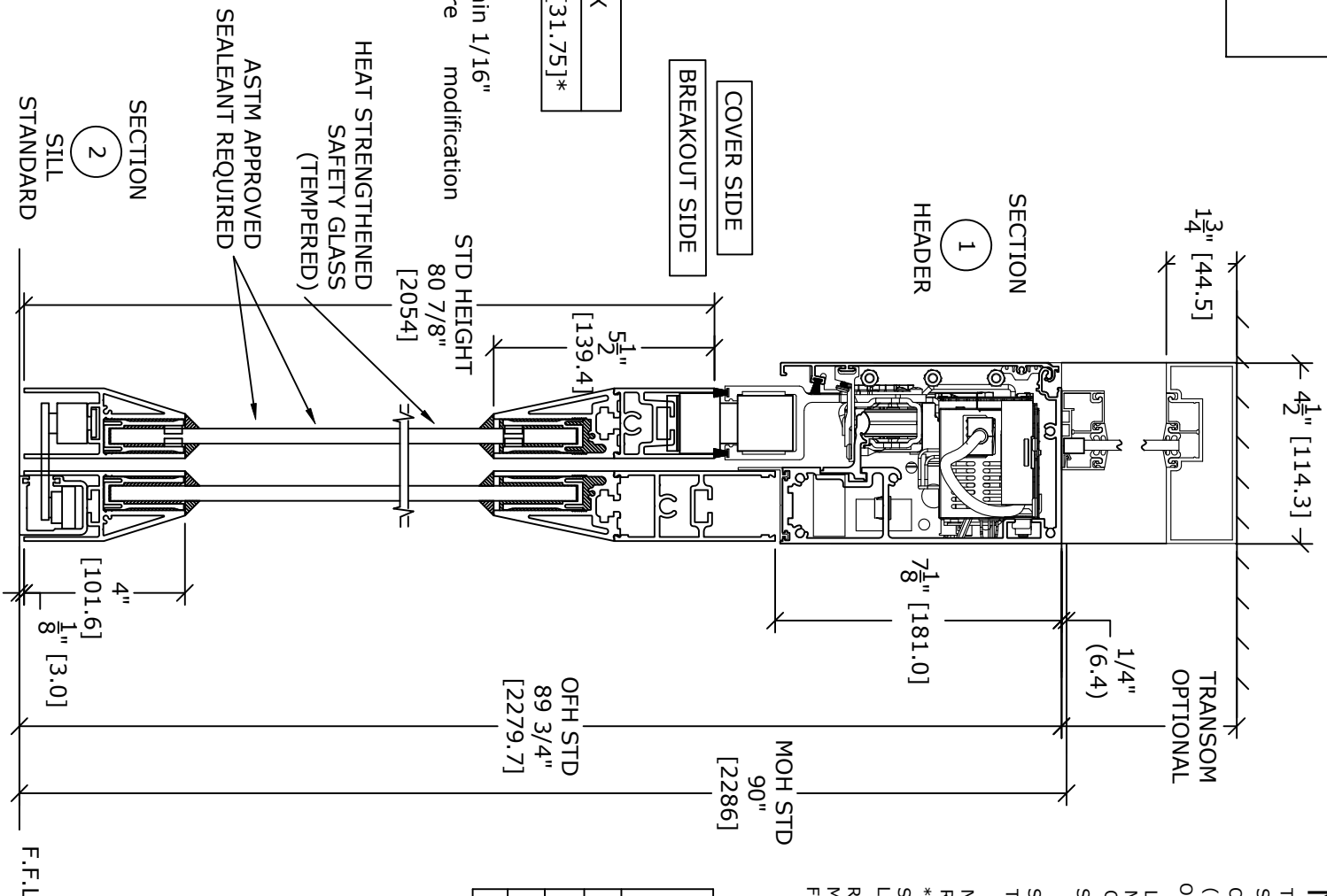
GLASS WIDTH	X
1/2"	1 1/4" [31.75]*

* Hole Placement to be within 1/16"
* Dowel surface may require
modification

Optional Factory Prep
Switch Location @
74-1/2"H



COVER SIDE
BREAKOUT SIDE



NOTE: THE STANDARD PACKAGE CONSISTS OF:

THE AUTOMATIC OPERATOR & WEATHERSTRIP. FRAMES, DOORS & SIDELITES WITH VERTICAL WEATHERSTRIP, EMERGENCY BREAKAWAY OPTIONAL POSITION SWITCHES (DIGITAL (3 OR 5) OR KEY (5)), (OFF-EXIT ONLY-AUTO-REDUCED OPENING-HOLD OPEN OR. OFF, AUTO, HOLD OPEN) AND MOTION/PRESENCE SENSORS.

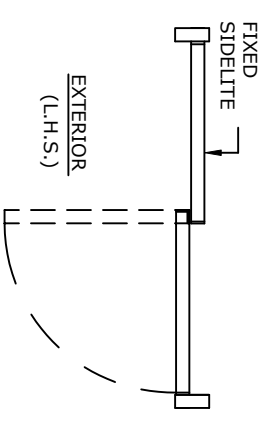
LOCKING DEVICES ARE AVAILABLE AS AN OPTIONAL EXTRA: MANUAL AS SHOWN, MOUNTED IN BOTTOM OF ACTIVE LEAF; OR AUTOMATIC (NOT SHOWN), MOUNTED IN OPERATOR HEADER. STANDARD FINISH: CLEAR- AA-M12C22A41, CLASS 1, .018 MM.

DARK BRONZE- AA-M12C22A44, CLASS 1, .018 MM. SPECIAL FINISHES ARE AVAILABLE. THIS PACKAGE WILL ACCEPT 1/2" HEAT STRENGTHENED SAFETY GLASS.

NOTE DRAWING IS DIMENSIONED IN BOTH ENGLISH AND METRIC REF. AS FOLLOWS 1" (25.4) ALL METRIC SIZES ARE MILLIMETERS. * FOR MAXIMUM CURRENT DRAW PER OPERATOR, SEE PRODUCT SPECIFICATION, INSTALLATION INSTRUCTIONS, OR THE UL LABEL ON THE EQUIPMENT.

REFER TO RELEVANT (LOCAL, STATE, NATIONAL OR AHD) BUILDING CODE FOR MIN DOOR HEIGHT & MIN/MAX WIDTH ALLOWABLE FOR EGRESS REQUIREMENT IN CONJUNCTION WITH TABLE BELOW.

OFW	DOOR OPENING A	OVERALL FRAME WIDTH B	MASONRY OPENING WIDTH C	ACTIVE & SIDELITE LEAF WIDTH D
7	34 3/16" (868.4)	84" (2133.6)	84 1/2" (2146.3)	40 5/8" (1031.9)
8	40 3/16" (1020.8)	96" (2438.4)	96 1/2" (2451.1)	46 5/8" (1184.3)
8-6	43 3/16" (1097)	102" (2590.8)	102 1/2" (2603.5)	49 5/8" (1260.5)
KEY	B/2-7 13/16 (198.4)	C-1/2" (12.7)	B+1/2" (12.7)	B/2-1 3/8 (34.9)



DWG NO. _____

DRN BY	SAK	DATE	4/23/20	CHK BY	--	DATE	4/23/20
REV.	0.1	DATE	4/23/20				