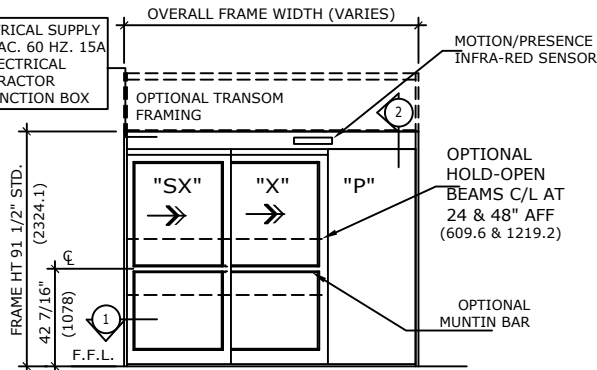
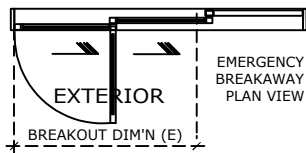


ELECTRICAL SUPPLY
120 VAC. 60 HZ. 15A
BY ELECTRICAL
CONTRACTOR
TO JUNCTION BOX



EXTERIOR ELEVATION



AUTOMATIC SLIDING DOOR OPERATOR SHALL BE "DS18" CUL USA APPROVED, CONFORMING TO UL STD. 325 & ANSI-BHMA STD. A156.10 CERTIFIED TO CAN. CSA STD. C22.2#24-93 AS MANUFACTURED BY ENTREMATIC GROUP AB.

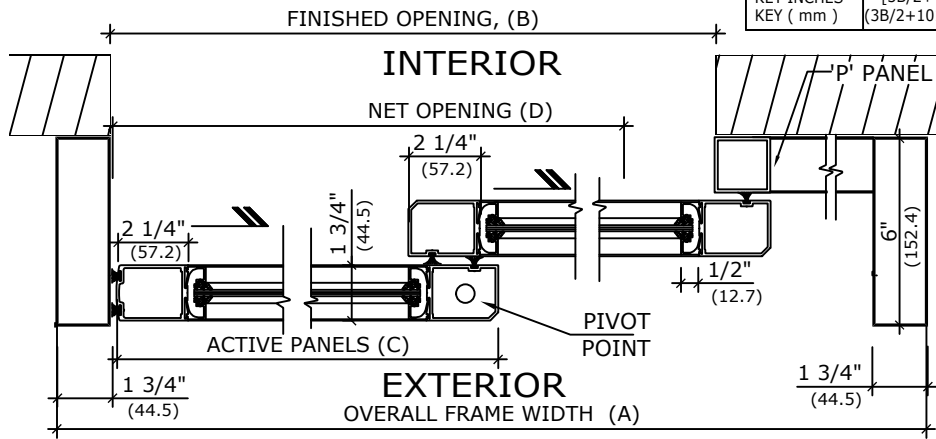
STANDARD FINISH: ANODIZED, CLEAR; DARK BRONZE; SPECIAL FINISHES ARE AVAILABLE

UNIT DESCRIPTION				
DITEC				
SX-X-P: SURFACE MOUNTED TELESCOPIC RIGHT HAND SLIDE SYSTEM WITH "P" PANEL, NARROW STILE DOORS.				
STD. PACKAGE SHALL INCLUDE AUTOMATIC OPERATOR, FRAME AND DOORS WITH MUNTIN, BOTTOM RAILS WITH CONCEALED SWEEP, BRUSH PILE WEATHER STRIPPING, EMERGENCY BREAKAWAY, MS LOCK, GLAZING STOPS FOR TEMPERED GLASS, DOOR GUIDE SYSTEM SHALL BE CONCEALED IN BOTTOM HORIZONTAL RAILS, 3-POSITION SWITCH AND MOTION/PRESENCE SENSORS.				

SIZE	OVERALL FRAME A WIDTH	FINISHED OPENING B WIDTH	ACTIVE PANELS C WIDTH	NET DOOR D OPENING	MAX B/OUT DIM'N.
76"	76" (1930.4)	48" (1219.2)	26 1/4" (666.8)	40 1/2" (1028.7)	44 1/4" (1124)
94"	94" (2387.6)	60" (1524)	32 1/4" (819.2)	52 1/2" (1384.3)	56 1/4" (1333.5)
112"	112" (2844.8)	72" (1828.8)	38 1/4" (971.6)	64 1/2" (1638.3)	68 1/4" (1733.5)
130"	130" (3302)	84" (2133.6)	44 1/4" (1124)	76 1/2" (1943.1)	80 1/4" (2038.4)
KEY INCHES	[3B/2+4]	[A-4]2/3	[B/2+2 1/4]	[B-7 1/2]	[B-3 3/4]
KEY (mm)	(3B/2+101.6)	(A-101.6)2/3	(B/2+57.2)	(B-190.5)	(B-95.3)

APPLICATION:
TELESCOPIC SURFACE MOUNT RIGHT HAND,
AUTOMATIC SLIDING DOOR SYSTEM.

NOTE: DRAWING IS DIMENSIONED IN BOTH INCHES & METRIC (mm)

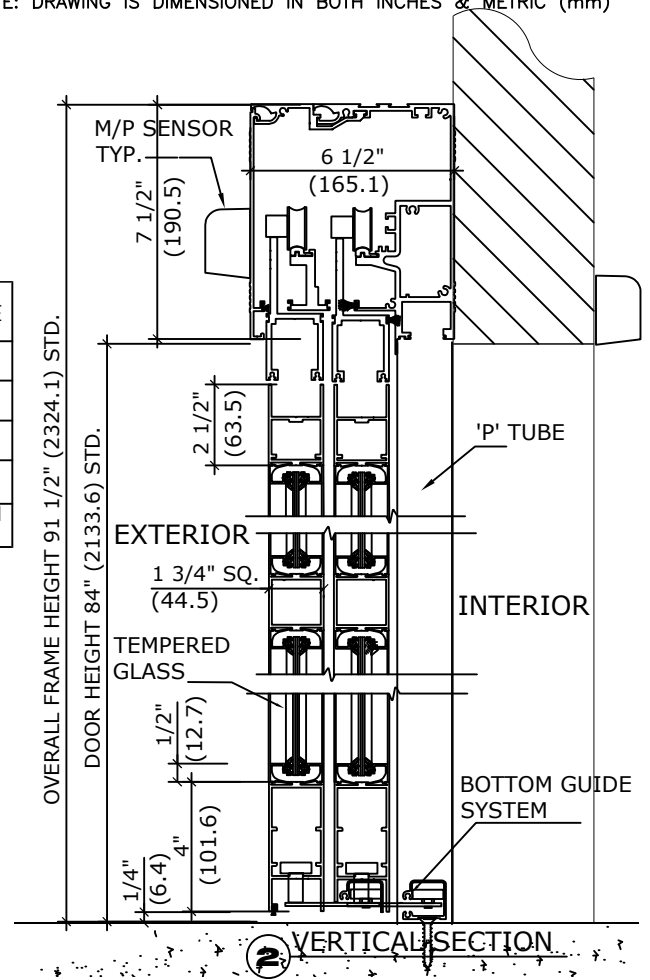


1 HORIZONTAL SECTION

REFER TO RELEVANT (LOCAL, STATE, NATIONAL OR AHJ) BUILDING CODE FOR MIN DOOR HEIGHT & MIN/MAX WIDTH ALLOWABLE FOR EGRESS REQUIREMENT.
NOTE:
ENTREMATIC GROUP AB, RESERVES THE RIGHT TO CHANGE & IMPROVE IT'S PRODUCTS & SPECIFICATIONS WITHOUT NOTICE.

ENTREMATIC

TEL. 877-348-6837 (CANADA)
www.ditecentrematic.ca
TEL. 866-901-4284 (USA)
www.ditecentrematic.us



2 VERTICAL SECTION

SHEET TITLE:			SHEET NO.
ARCHITECT:			23
CONTRACTOR:			SECTION
SCALE:	DRAWN BY:	DATE:	DS