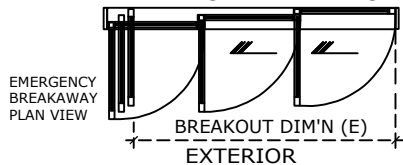


**EXTERIOR ELEVATION**



AUTOMATIC SLIDING DOOR OPERATOR SHALL BE "DS-18" CUL USA APPROVED, CONFORMING TO UL STD. 325 & ANSI-BHMA STD. A156.10 CERTIFIED TO CAN. CSA STD. C22.2#24-93 AS MANUFACTURED BY ENTREMATIC GROUP AB.

STANDARD FINISH: ANODIZED, CLEAR; DARK BRONZE; SPECIAL FINISHES ARE AVAILABLE

**UNIT DESCRIPTION**

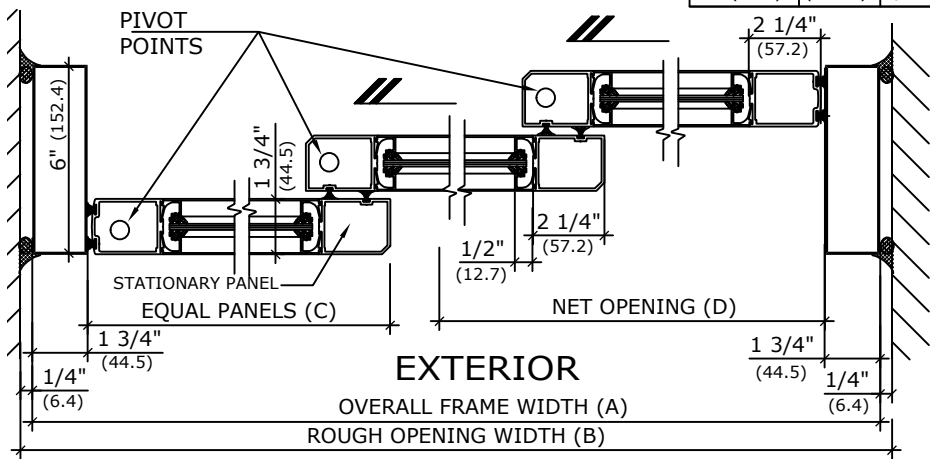
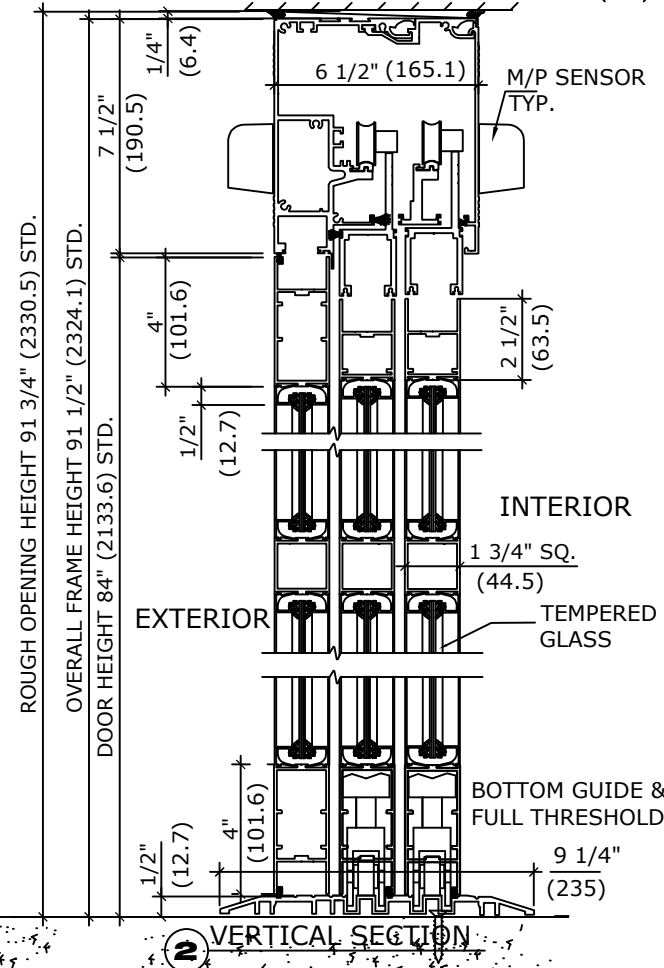
**DITEC**

SO-SX-SX: OVERHEAD CONCEALED TELESCOPIC LEFT HAND FULL BREAKOUT SLIDE DOOR SYSTEM, NARROW STILE DOORS. STD. PACKAGE SHALL INCLUDE AUTOMATIC OPERATOR, FRAME AND DOORS WITH MUNTIN, BOTTOM RAILS WITH CONCEALED SWEEP, BRUSH-PILE WEATHER STRIPPING, EMERGENCY BREAKAWAY, MS LOCK, GLAZING STOPS FOR TEMPERED GLASS, BOTTOM GUIDE SYSTEM SHALL BE PART OF FULL WIDTH THRESHOLD, 3-POSITION SWITCH AND MOTION/PRESENCE SENSORS.

| SIZE       | OVERALL FRAME A WIDTH | ROUGH OPENING B WIDTH | EQUAL PANELS C WIDTH | NET DOOR D OPENING | BREAK OUT E DIM'N. |
|------------|-----------------------|-----------------------|----------------------|--------------------|--------------------|
| 72"        | 72" (1828.8)          | 72 1/2" (1841.5)      | 24 11/16" (627)      | 36 1/4" (920.8)    | 59" (1498.6)       |
| 84"        | 84" (2133.6)          | 84 1/2" (2146.3)      | 28 11/16" (728.6)    | 44 1/4" (1124)     | 71" (1803.4)       |
| 96"        | 96" (2438.4)          | 96 1/2" (2451.1)      | 32 11/16" (830.2)    | 52 1/4" (1327.2)   | 83" (2108.2)       |
| 108"       | 108" (2743.2)         | 108 1/2" (2755.9)     | 36 11/16" (931.8)    | 60 1/4" (1530.4)   | 95" (2413)         |
| KEY INCHES | [B-1/2]               | [A+1/2]               | [A/3+11/16]          | 2[A/3-5 7/8]       | [A-13]             |
| KEY (mm)   | [B-12.7]              | [A+12.7]              | [A/3+17.4]           | 2[A/3-149.2]       | [A-330.2]          |

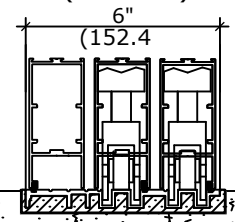
**APPLICATION:**  
TELESCOPIC FULL BREAKOUT LEFT HAND, AUTOMATIC SLIDING DOOR SYSTEM.

NOTE: DRAWING IS DIMENSIONED IN BOTH INCHES & METRIC (mm)



**1 HORIZONTAL SECTION**

**RECESSED GUIDE (OPTION)**



REFER TO RELEVANT (LOCAL, STATE, NATIONAL OR AHJ) BUILDING CODE FOR MIN DOOR HEIGHT & MIN/MAX WIDTH ALLOWABLE FOR EGRESS REQUIREMENT.  
NOTE:  
ENTREMATIC GROUP AB, RESERVES THE RIGHT TO CHANGE & IMPROVE IT'S PRODUCTS & SPECIFICATIONS WITHOUT NOTICE.

**ENTREMATIC**

TEL. 877-348-6837 (CANADA)  
www.ditecentrematic.ca  
TEL. 866-901-4284 (USA)  
www.ditecentrematic.us

|              |           |       |                        |
|--------------|-----------|-------|------------------------|
| SHEET TITLE: |           |       | SHEET NO.<br><b>16</b> |
| ARCHITECT:   |           |       |                        |
| CONTRACTOR:  |           |       | SECTION<br><b>DS</b>   |
| SCALE:       | DRAWN BY: | DATE: |                        |