

AUTOMATIC SLIDING DOOR OPERATOR SHALL BE "DS-18" CUL USA APPROVED, CONFORMING TO UL STD. 325 & ANSI-BHMA STD. A156.10 CERTIFIED TO CAN. CSA STD. C22.2#24-93 AS MANUFACTURED BY ENTREMATIAC GROUP AB.

STANDARD FINISH: ANODIZED, CLEAR; DARK BRONZE; SPECIAL FINISHES ARE AVAILABLE

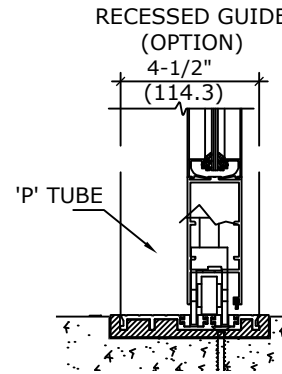
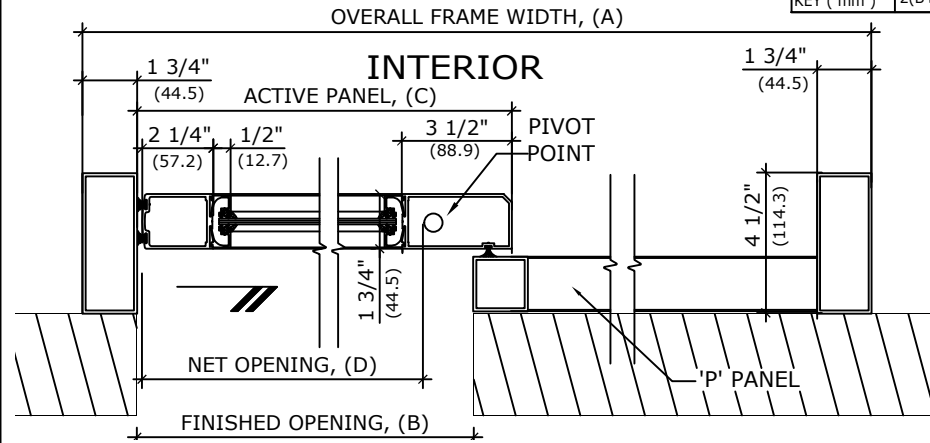
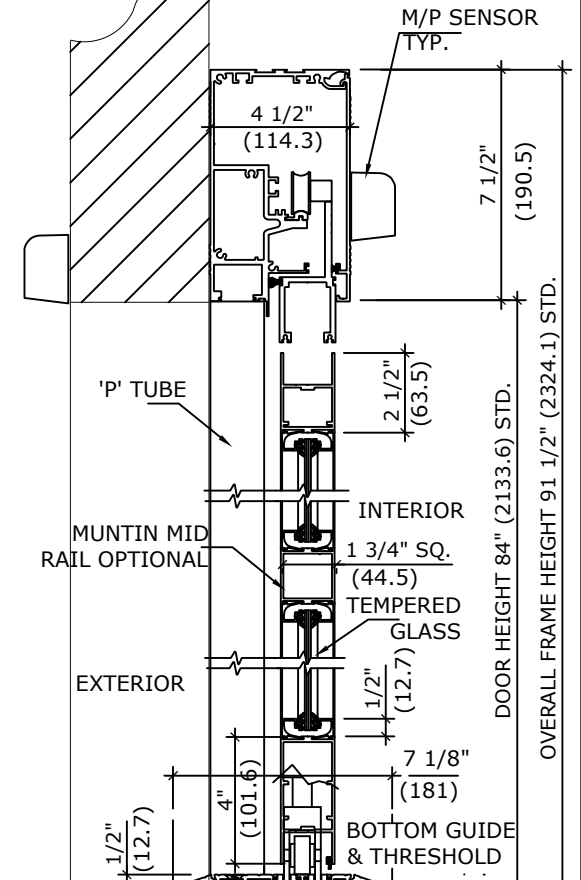
UNIT DESCRIPTION

DITEC
 SX-P : SURFACE MOUNT REVERSE BREAKOUT NARROW STILE WITH 'P' PANEL, SINGLE SLIDE DOOR SYSTEM.
 STD. PACKAGE SHALL INCLUDE AUTOMATIC OPERATOR, FRAME AND DOORS WITH MUNTINS, BOTTOM RAILS WITH CONCEALED SWEEPS, BRUSH-PILE WEATHER STRIPPING, EMERGENCY BREAKAWAY, MS LOCK, GLAZING STOPS FOR TEMPERED GLASS. BOTTOM GUIDE SYSTEM SHALL BE PART OF FULL WIDTH THRESHOLD, 3-WAY SWITCH & MOTION/PRESENCE SENSORS ON BOTH SIDES OF UNIT.

SIZE	OVERALL FRAME A WIDTH	FINISHED OPENING B WIDTH	ACTIVE PANEL C WIDTH	NET DOOR D OPENING	BREAK OUT DIM'N. E
84"	84" (2133.6)	41" (1041.4)	42 1/4" (1073.2)	37 1/4" (927.1)	38 3/4" (984.3)
96"	96" (2438.4)	47" (1193.8)	48 1/4" (1225.6)	43 1/4" (1079.5)	44 3/4" (1136.7)
108"	108" (2743.2)	53" (1346.2)	54 1/4" (1378)	49 1/4" (1231.9)	50 3/4" (1289.1)
KEY INCHES (mm)	2[B+1] (2[B+25.4])	[A/2-1] (A/2-25.4)	[B+1 1/4] (B+31.8)	[B-3 3/4] (B-95.3)	[B-2 1/4] (B-57.2)

APPLICATION:
 SURFACE MOUNT REVERSE BREAKOUT, RIGHT HAND, AUTOMATIC SLIDING DOOR SYSTEM.

NOTE: DRAWING IS DIMENSIONED IN BOTH INCHES & METRIC (mm)



1 HORIZONTAL SECTION

REFER TO RELEVANT (LOCAL, STATE, NATIONAL OR AHJ) BUILDING CODE FOR MIN DOOR HEIGHT & MIN/MAX WIDTH ALLOWABLE FOR EGRESS REQUIREMENT.
 NOTE:
 ENTREMATIAC GROUP AB, RESERVES THE RIGHT TO CHANGE & IMPROVE IT'S PRODUCTS & SPECIFICATIONS WITHOUT NOTICE.

ENTREMATIAC

TEL. 877-348-6837 (CANADA)
 www.ditecentrematic.ca
 TEL. 866-901-4284 (USA)
 www.ditecentrematic.us

SHEET TITLE:			SHEET NO.
ARCHITECT:			14
CONTRACTOR:			SECTION
SCALE:	DRAWN BY:	DATE:	DS

2 VERTICAL SECTION