

AUTOMATIC SLIDING DOOR OPERATOR SHALL BE "DS-18" CUL USA APPROVED, CONFORMING TO UL STD. 325 & ANSI-BHMA STD. A156.10 CERTIFIED TO CAN. CSA STD. C22.2#24-93 AS MANUFACTURED BY ENTREMATIC GROUP AB.

STANDARD FINISH: ANODIZED, CLEAR; DARK BRONZE; SPECIAL FINISHES ARE AVAILABLE

APPLICATION:
SURFACE MOUNT REVERSE BREAKOUT BI-PART, AUTOMATIC SLIDING DOOR SYSTEM.

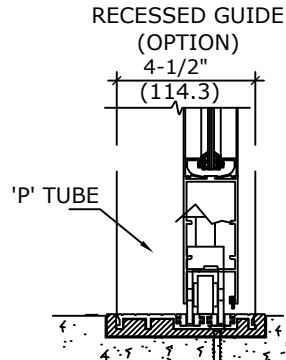
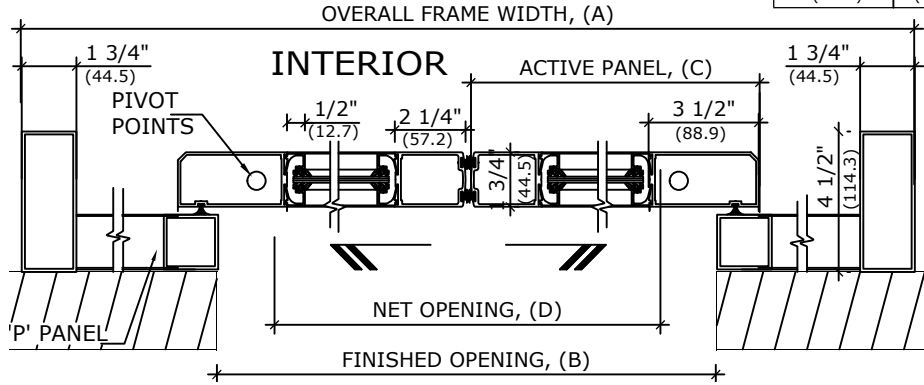
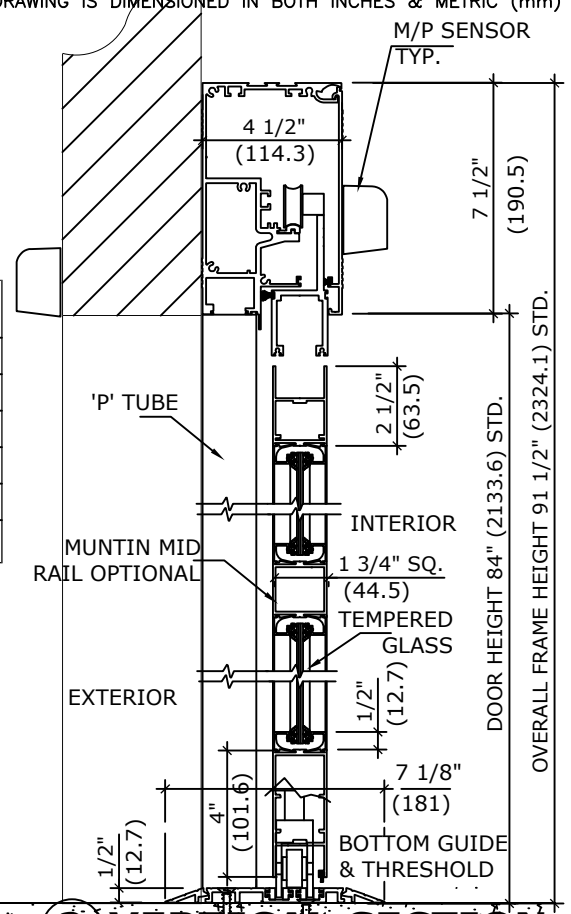
NOTE: DRAWING IS DIMENSIONED IN BOTH INCHES & METRIC (mm)

UNIT DESCRIPTION

DITEC

P-SX-SX-P : SURFACE MOUNT REVERSE BREAKOUT NARROW STILE WITH 'P' PANEL BI-PART DOOR SYSTEM. STD. PACKAGE SHALL INCLUDE AUTOMATIC OPERATOR, FRAME AND DOORS WITH MUNTINS, BOTTOM RAILS WITH CONCEALED SWEEPS, BRUSH-PILE WEATHER STRIPPING, EMERGENCY BREAKAWAY, MS LOCK, GLAZING STOPS FOR TEMPERED GLASS. BOTTOM GUIDE SYSTEM SHALL BE PART OF FULL WIDTH THRESHOLD, 3-WAY SWITCH & MOTION/PRESENCE SENSORS ON BOTH SIDES OF UNIT.

SIZE	OVERALL FRAME WIDTH A	FINISHED OPENING B WIDTH	ACTIVE PANELS C WIDTH	NET DOOR OPENING D	BREAK OUT DIM'N E
96"	96" (2438.4)	47 3/4" (1212.9)	25 1/8" (638.2)	40 1/4" (1022.4)	43 1/4" (1098.6)
120"	120" (3048)	59 3/4" (1517.7)	31 1/8" (790.6)	52 1/4" (1327.2)	55 1/4" (1403.4)
144"	144" (3657.6)	71 3/4" (1822.5)	37 1/8" (943)	64 1/4" (1632)	67 1/4" (1708.2)
168"	168" (4267.2)	83 3/4" (2127.3)	43 1/8" (1095.4)	76 1/4" (1936.8)	79 1/4" (2013)
192"	192" (4876.8)	95 3/4" (2432.1)	49 1/8" (1247.8)	88 1/4" (2241.6)	91 1/4" (2317.8)
KEY [INCHES]	2[B+1/2]	[A/2-1/4]	[B/2+1 1/4]	[B-7 1/2]	[B-4 1/2]
KEY [mm]	2(B+12.7)	(A/2-6.4)	(B/2+31.8)	(B-190.5)	(B-114.3)



1 HORIZONTAL SECTION

REFER TO RELEVANT (LOCAL, STATE, NATIONAL OR AHJ) BUILDING CODE FOR MIN DOOR HEIGHT & MIN/MAX WIDTH ALLOWABLE FOR EGRESS REQUIREMENT.

NOTE: ENTREMATIC GROUP AB, RESERVES THE RIGHT TO CHANGE & IMPROVE IT'S PRODUCTS & SPECIFICATIONS WITHOUT NOTICE.

ENTREMATIC

TEL. 877-348-6837 (CANADA)
www.ditecentrematic.ca
TEL. 866-901-4284 (USA)
www.ditecentrematic.us

SHEET TITLE:			SHEET NO. 15
ARCHITECT:			
CONTRACTOR:			SECTION DS
SCALE:	DRAWN BY:	DATE:	