

AUTOMATIC SLIDING DOOR OPERATOR SHALL BE "DS-18" CUL USA APPROVED, CONFORMING TO UL STD. 325 & ANSI-BHMA STD. A156.10 CERTIFIED TO CAN. CSA STD. C22.2#24-93 AS MANUFACTURED BY ENTREMATIC GROUP AB.

STANDARD FINISH: ANODIZED, CLEAR; DARK BRONZE; SPECIAL FINISHES ARE AVAILABLE

NOTE: DRAWING IS DIMENSIONED IN BOTH INCHES & METRIC (mm)

APPLICATION:
FULL BREAKOUT RIGHT HAND, AUTOMATIC SLIDING DOOR SYSTEM.

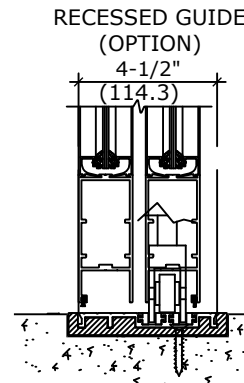
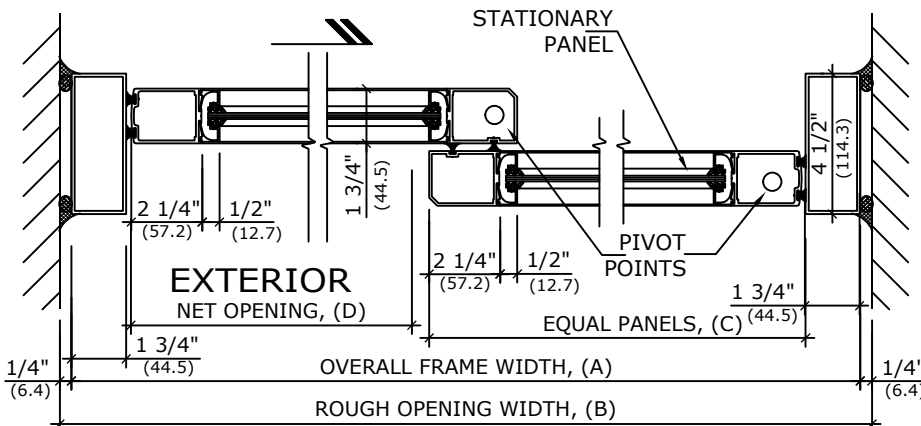
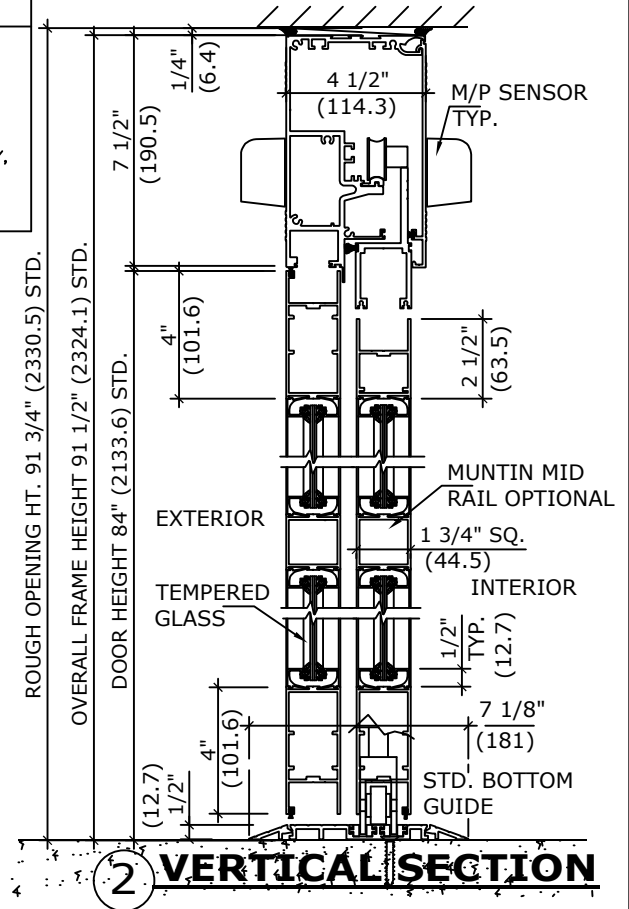
UNIT DESCRIPTION

DITEC

SX-SO : OVERHEAD CONCEALED FULL BREAKOUT SINGLE SLIDE DOOR SYSTEM, NARROW STILE DOORS.

STD. PACKAGE SHALL INCLUDE AUTOMATIC OPERATOR, FRAME AND DOORS WITH MUNTINS, BOTTOM RAILS WITH CONCEALED SWEEPS, BRUSH-PILE WEATHER STRIPPING, EMERGENCY BREAKAWAY, MS LOCK, GLAZING STOPS FOR TEMPERED GLASS, BOTTOM GUIDE SYSTEM BENEATH ACTIVE SIDELITE, 3-POSITION SWITCH & MOTION/PRESENCE SENSORS ON BOTH SIDES OF UNIT.

| SIZE | OVERALL FRAME WIDTH A | ROUGH OPENING WIDTH B | EQUAL PANELS C | NET DOOR OPENING D | BREAK OUT DIM'N. E |
|---------------------|-----------------------|-----------------------|--------------------------|----------------------------|--------------------|
| 84" | 84" (2133.6) | 84 1/2" (2146.3) | 41 9/16" (1055.7) | 35 1/4" (895.4) | 75" (1905) |
| 96" | 96" (2438.4) | 96 1/2" (2451.1) | 47 9/16" (1208.1) | 41 1/4" (1047.8) | 87" (2210) |
| 108" | 108" (2743.2) | 108 1/2" (2755.9) | 53 9/16" (1360.5) | 47 1/4" (1200.2) | 99" (2515) |
| KEY INCHES KEY (mm) | [B-1/2] (B-12.7) | [A+1/2] (A+12.7) | [A/2-7/16] (A/2-11.1) | [A/2-6 3/4] (A/2-171.5) | [A-9] (A-228.6) |



1 HORIZONTAL SECTION

REFER TO RELEVANT (LOCAL, STATE, NATIONAL OR AHJ) BUILDING CODE FOR MIN DOOR HEIGHT & MIN/MAX WIDTH ALLOWABLE FOR EGRESS REQUIREMENT.
NOTE:
ENTREMATIC GROUP AB, RESERVES THE RIGHT TO CHANGE & IMPROVE IT'S PRODUCTS & SPECIFICATIONS WITHOUT NOTICE.

ENTREMATIC

TEL. 877-348-6837 (CANADA)
www.ditecentrematic.ca
TEL. 866-901-4284 (USA)
www.ditecentrematic.us

| | | | |
|--------------|-----------|-------|-----------------------|
| SHEET TITLE: | | | SHEET NO. 2 |
| ARCHITECT: | | | |
| CONTRACTOR: | | | SECTION DS |
| SCALE: | DRAWN BY: | DATE: | |