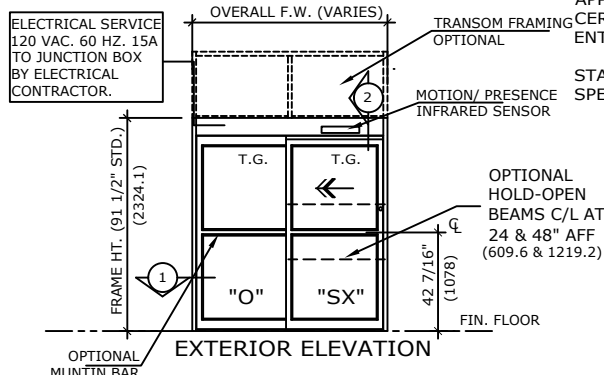


ELECTRICAL SERVICE
120 VAC. 60 HZ. 15A
TO JUNCTION BOX
BY ELECTRICAL
CONTRACTOR.



AUTOMATIC SLIDING DOOR OPERATOR SHALL BE "DS-18" CUL USA APPROVED, CONFORMING TO UL STD. 325 & ANSI-BHMA STD. A156.10 CERTIFIED TO CAN. CSA STD. C22.2#24-93 AS MANUFACTURED BY ENTREMATIC GROUP AB.

STANDARD FINISH: ANODIZED, CLEAR; DARK BRONZE;
SPECIAL FINISHES ARE AVAILABLE

APPLICATION:
FIXED SIDELITE LEFT HAND, AUTOMATIC
SLIDING DOOR SYSTEM.

NOTE: DRAWING IS DIMENSIONED IN BOTH INCHES & METRIC (mm)

UNIT DESCRIPTION

DITEC

O-SX : OVERHEAD CONCEALED FIXED SIDELITE
SINGLE SLIDE DOOR SYSTEM, NARROW STILE DOORS.

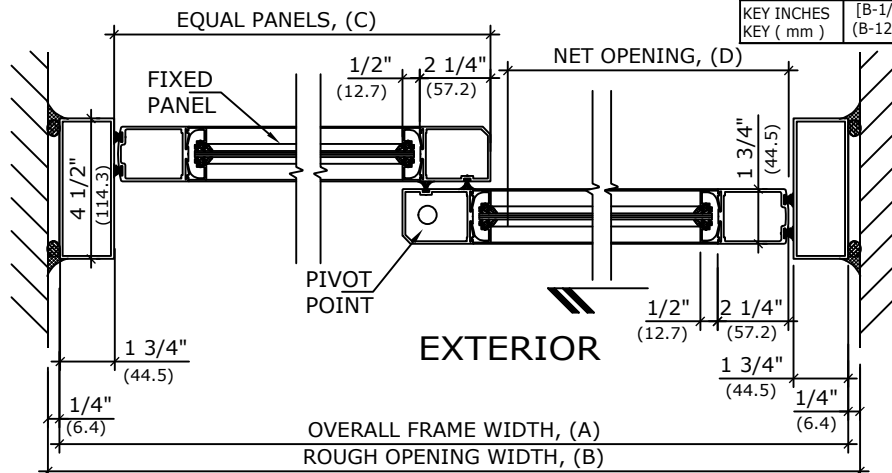
STD. PACKAGE SHALL INCLUDE AUTOMATIC OPERATOR, FRAME AND
DOORS WITH MUNTINS, BOTTOM RAILS WITH CONCEALED
SWEEPS BRUSH-PILE WEATHER STRIPPING, EMERGENCY BREAKAWAY,
MS LOCK, GLAZING STOPS FOR TEMPERED GLASS.
BOTTOM GUIDE SYSTEM IN 'J' MOLDING OF FIXED LITE, 3-POSITION
SWITCH & MOTION/PRESENCE SENSORS ON BOTH SIDES OF UNIT.

SIZE	OVERALL FRAME A WIDTH	ROUGH OPENING B WIDTH	EQUAL PANELS C WIDTH	NET DOOR OPENING D	BREAK OUT DIM'N. E
84"	84" (2133.6)	84 1/2" (2146.3)	41 9/16" (1055.7)	35 1/4" (895.4)	38 7/8" (987.4)
96"	96" (2438.4)	96 1/2" (2451.1)	47 9/16" (1208.1)	41 1/4" (1047.8)	44 7/8" (1139.8)
108"	108" (2743.2)	108 1/2" (2755.9)	53 9/16" (1360.5)	47 1/4" (1200.2)	50 7/8" (1292.2)
KEY INCHES KEY (mm)	[B-1/2] [B-12.7]	[A+1/2] [A+12.7]	[A/2-7/16] [A/2-11.1]	[A/2-6 3/4] [A/2-171.5]	[A/2-3 1/8] [A/2-79.4]

EXTERIOR ELEVATION

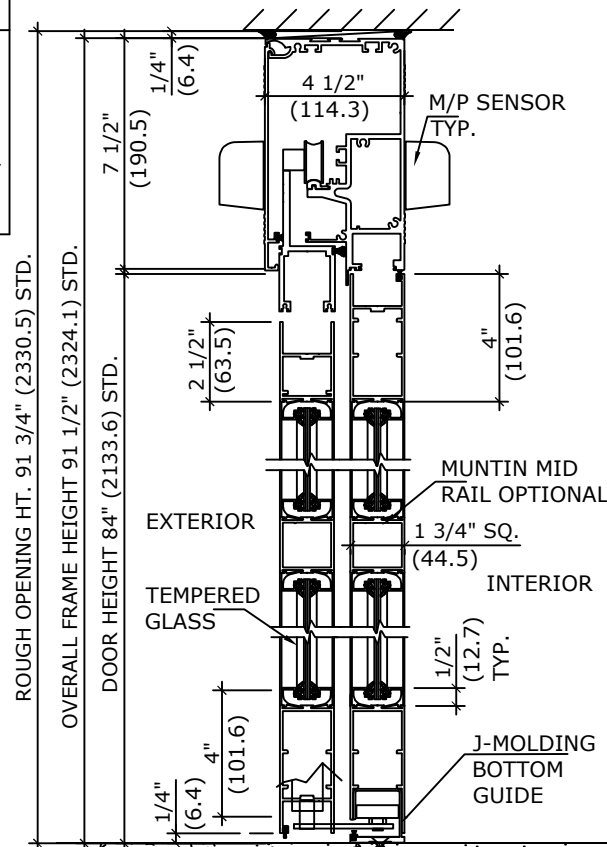


EXTERIOR



1 HORIZONTAL SECTION

REFER TO RELEVANT (LOCAL, STATE, NATIONAL OR AHJ) BUILDING CODE FOR
MIN DOOR HEIGHT & MIN/MAX WIDTH ALLOWABLE FOR EGRESS REQUIREMENT.
NOTE:
ENTREMATIC GROUP AB, RESERVES THE RIGHT TO
CHANGE & IMPROVE IT'S PRODUCTS & SPECIFICATIONS
WITHOUT NOTICE.



2 VERTICAL SECTION

ENTREMATIC

TEL. 877-348-6837 (CANADA)
www.ditecentrematic.ca
TEL. 866-901-4284 (USA)
www.ditecentrematic.us

SHEET TITLE:			SHEET NO. 4
ARCHITECT:			
CONTRACTOR:			SECTION DS
SCALE:	DRAWN BY:	DATE:	