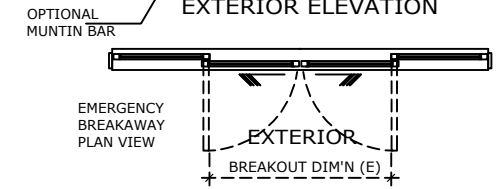
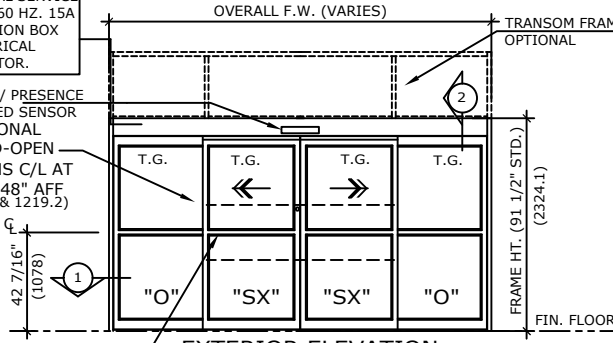


ELECTRICAL SERVICE  
120 VAC. 60 HZ. 15A  
TO JUNCTION BOX  
BY ELECTRICAL  
CONTRACTOR.

MOTION/ PRESENCE  
INFRARED SENSOR  
OPTIONAL  
HOLD-OPEN  
BEAMS C/L AT  
24 & 48" AFF  
(609.6 & 1219.2)



AUTOMATIC SLIDING DOOR OPERATOR SHALL BE "DS-18" CUL USA APPROVED, CONFORMING TO UL STD. 325 & ANSI-BHMA STD. A156.10 CERTIFIED TO CAN. CSA STD. C22.2#24-93 AS MANUFACTURED BY ENTREMATIC GROUP AB.

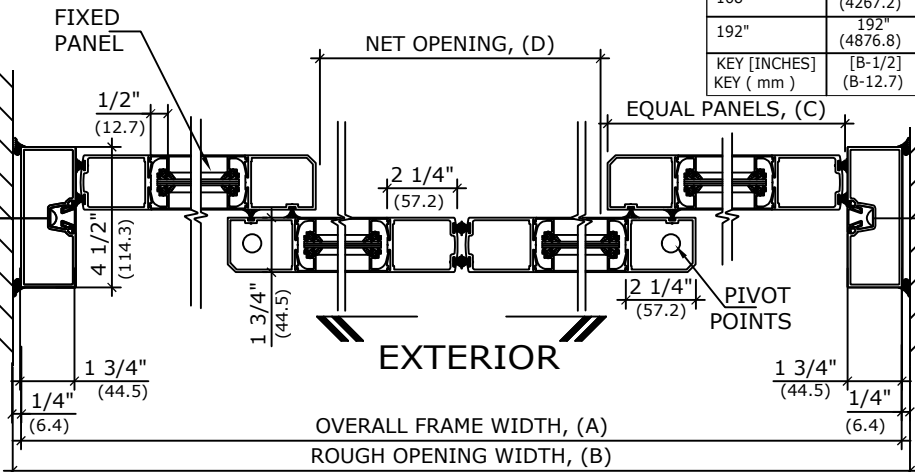
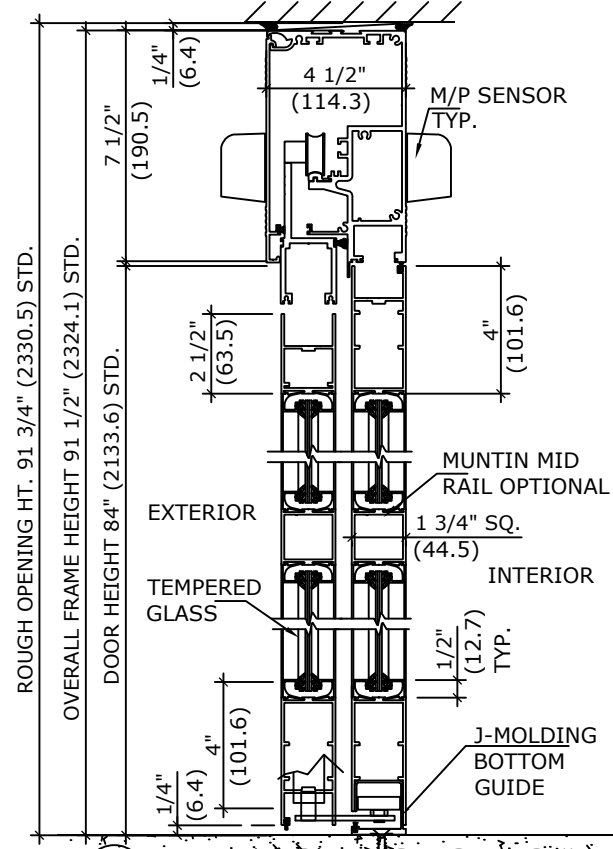
STANDARD FINISH: ANODIZED, CLEAR; DARK BRONZE;  
SPECIAL FINISHES ARE AVAILABLE

APPLICATION:  
FIXED SIDELITE BI-PART,  
AUTOMATIC SLIDING DOOR SYSTEM.

NOTE: DRAWING IS DIMENSIONED IN BOTH INCHES & METRIC (mm)

**UNIT DESCRIPTION**  
**DITEC**  
O-SX-SX-O : OVERHEAD CONCEALED FIXED SIDELITE BI-PART SLIDING DOOR SYSTEM, NARROW STILE DOORS.  
STD. PACKAGE SHALL INCLUDE AUTOMATIC OPERATOR, FRAME AND DOORS WITH MUNTINS, BOTTOM RAILS WITH CONCEALED SWEEPS, BRUSH-PILE WEATHER STRIPPING, EMERGENCY BREAKAWAY, GLAZING STOPS FOR TEMPERED GLASS, 2-POINT MS LOCK, BOTTOM GUIDE SYSTEM IN 'J' MOLDING OF FIXED LITES, 3-POSITION SWITCH & M/P SENSORS ON BOTH SIDES OF UNIT.

SIZE	OVERALL FRAME WIDTH A	ROUGH OPENING WIDTH B	EQUAL PANELS WIDTH C	NET DOOR D OPENING	BREAK OUT DIM'N E
96"	96" (2438.4)	96 1/2" (2451.1)	24 7/16" (620.7)	36" (914.4)	43 5/8" (1108.1)
120"	120" (3048)	120-1/2" (3060.7)	30 7/16" (773.1)	48" (1219.2)	55 5/8" (1412.9)
144"	144" (3657.6)	144-1/2" (3670.3)	36 7/16" (925.5)	60" (1524)	67 5/8" (1717.7)
168"	168" (4267.2)	168 1/2" (4279.9)	42 7/16" (1077.9)	72" (1828.8)	79 5/8" (2022.5)
192"	192" (4876.8)	192-1/2" (4889.5)	48 7/16" (1230.3)	84" (2133.6)	91 5/8" (2327.3)
KEY [INCHES]	[B-1/2]	[A+1/2]	[A/4+7/16]	[A/2-12]	[A/2-4 3/8]
KEY (mm)	(B-12.7)	(A+12.7)	(A/4+11.1)	(A/2-304.8)	(A/2-111.1)



**2 VERTICAL SECTION**

**1 HORIZONTAL SECTION**

REFER TO RELEVANT (LOCAL, STATE, NATIONAL OR AHJ) BUILDING CODE FOR MIN DOOR HEIGHT & MIN/MAX WIDTH ALLOWABLE FOR EGRESS REQUIREMENT.  
NOTE:  
ENTREMATIC GROUP AB, RESERVES THE RIGHT TO CHANGE & IMPROVE IT'S PRODUCTS & SPECIFICATIONS WITHOUT NOTICE.

**ENTREMATIC**

TEL. 877-348-6837 (CANADA)  
www.ditecentrematic.ca  
TEL. 866-901-4284 (USA)  
www.ditecentrematic.ca

SHEET TITLE:			SHEET NO. <b>6</b>
ARCHITECT:			
CONTRACTOR:			SECTION <b>DS</b>
SCALE:	DRAWN BY:	DATE:	