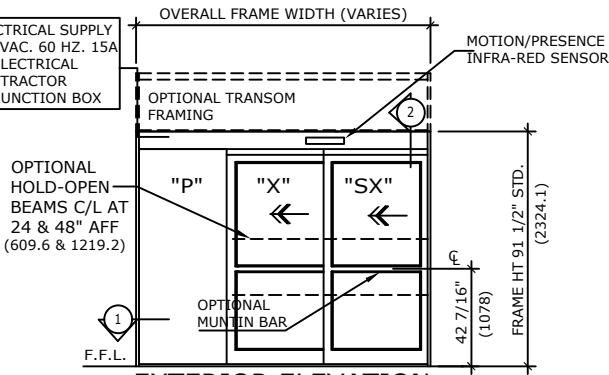
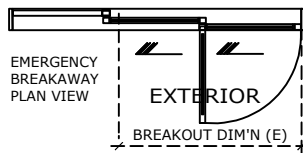


ELECTRICAL SUPPLY
120 VAC. 60 HZ. 15A
BY ELECTRICAL
CONTRACTOR
TO JUNCTION BOX



EXTERIOR ELEVATION



EMERGENCY
BREAKAWAY
PLAN VIEW

EXTERIOR

BREAKOUT DIM'N (E)

AUTOMATIC SLIDING DOOR OPERATOR SHALL BE "DS18"
CUL USA APPROVED, CONFORMING TO UL STD. 325 &
ANSI-BHMA STD. A156.10 CERTIFIED TO CAN. CSA STD.
C22.2#24-93 AS MANUFACTURED BY ENTREMATIC GROUP
AB.

STANDARD FINISH: ANODIZED, CLEAR; DARK BRONZE;
SPECIAL FINISHES ARE AVAILABLE

UNIT DESCRIPTION

DITEC

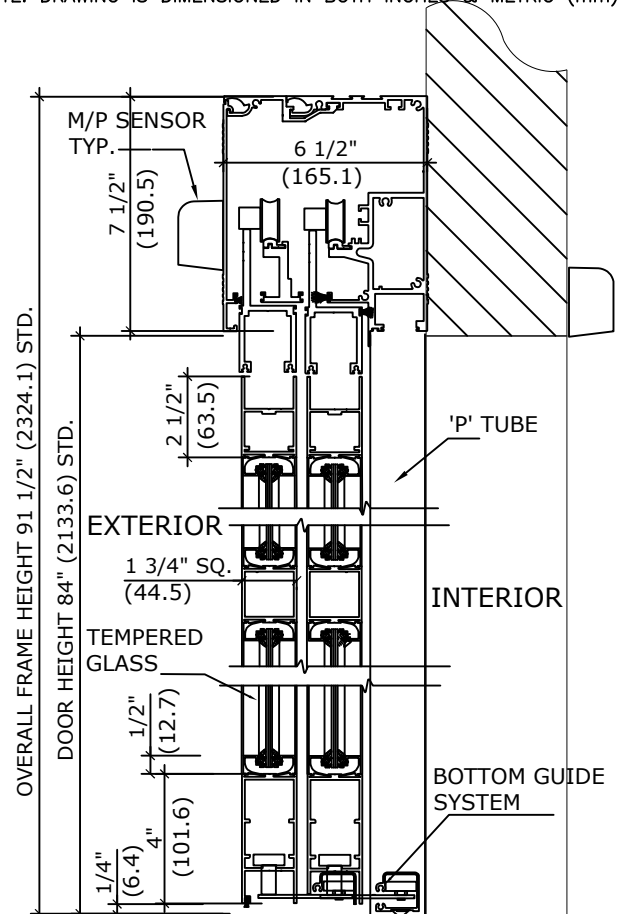
P-X-SX: SURFACE MOUNTED TELESCOPIC LEFT HAND SLIDE
SYSTEM WITH "P" PANEL, NARROW STILE DOORS.

STD. PACKAGE SHALL INCLUDE AUTOMATIC OPERATOR, FRAME AND
DOORS WITH MUNTIN, BOTTOM RAILS WITH CONCEALED
SWEEP, BRUSH PILE WEATHER STRIPPING, EMERGENCY BREAKAWAY,
MS LOCK, GLAZING STOPS FOR TEMPERED GLASS, DOOR
GUIDE SYSTEM SHALL BE CONCEALED IN BOTTOM HORIZONTAL RAILS,
3--GUIDE SWITCH AND MOTION/PRESENCE SENSORS.

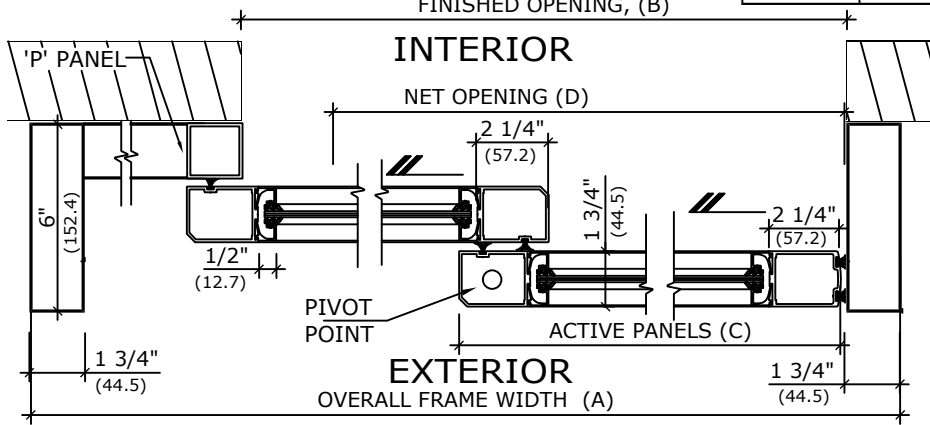
SIZE	OVERALL FRAME A WIDTH	FINISHED OPENING B WIDTH	ACTIVE PANELS C WIDTH	NET DOOR D OPENING	MAX B/OUT E DIM'N.
76"	76" (1930.4)	48" (1219.2)	26 1/4" (666.8)	40 1/2" (1028.7)	44 1/4" (1124)
94"	94" (2387.6)	60" (1524)	32 1/4" (819.2)	52 1/2" (1384.3)	56 1/4" (1333.5)
112"	112" (2844.8)	72" (1828.8)	38 1/4" (971.6)	64 1/2" (1638.3)	68 1/4" (1733.5)
130"	130" (3302)	84" (2133.6)	44 1/4" (1124)	76 1/2" (1943.1)	80 1/4" (2038.4)
KEY INCHES KEY (mm)	[3B/2+4] (3B/2+101.6)	[A-4]2/3 (A-101.6)2/3	[B/2+2 1/4] (B/2+57.2)	[B-7 1/2] (B-190.5)	[B-3 3/4] (B-95.3)

APPLICATION:
TELESCOPIC SURFACE MOUNT LEFT HAND,
AUTOMATIC SLIDING DOOR SYSTEM.

NOTE: DRAWING IS DIMENSIONED IN BOTH INCHES & METRIC (mm)



VERTICAL SECTION



1 HORIZONTAL SECTION

REFER TO RELEVANT (LOCAL, STATE, NATIONAL OR AHJ) BUILDING CODE FOR
MIN DOOR HEIGHT & MIN/MAX WIDTH ALLOWABLE FOR EGRESS REQUIREMENT.
NOTE:
ENTREMATIC GROUP AB, RESERVES THE RIGHT TO
CHANGE & IMPROVE IT'S PRODUCTS & SPECIFICATIONS
WITHOUT NOTICE.

ENTREMATIC

TEL. 877-348-6837 (CANADA)
www.ditecentrematic.ca
TEL. 866-901-4284 (USA)
www.ditecentrematic.us

SHEET TITLE:			SHEET NO.
ARCHITECT:			22
CONTRACTOR:			SECTION
SCALE:	DRAWN BY:	DATE:	DS